

Control Tower Stack Lights

Bulletin Numbers 854J, 854K



LISTEN.
THINK.
SOLVE.®

What's Inside

Topic	Page
Bulletin 854J - 40 mm Control Tower Stack Lights	
Product Overview	3
Product Selection	3
Accessories	6
Replacement Parts	6
Specifications	7
Approximate Dimensions	8
Bulletin 854K - 60 mm Control Tower Stack Lights	
Product Overview	11
Product Selection	11
Accessories	14
Replacement Parts	14
Specifications	15
Approximate Dimensions	16

Summary of Changes

This manual contains new vertical mount base dimension drawings on pages [8](#) and [16](#).

Bulletin 854J - 40 mm Control Tower Stack Lights

Product Overview

- UL Type 4/4X/13, IP66
- Stacking configurations 1...5 modules high per single stack
- "No tools" lens assembly
- Surface, vertical, M20 threaded tube, quick release base, 1/2 in. NPT, double-sided, M12 (5-pin DC) micro connector, or pole mounting bases
- Screwless terminal blocks on all bases
- Available as separate components or pre-configured stacks



Product Selection

For more product selection, see ab.rockwellautomation.com/Signaling-Devices/854J-854K-Control-Tower-Stack-Lights#selection.

Light Modules



Steady LED Module

854J - $\frac{10}{a}$ $\frac{TL}{b}$ $\frac{4}{c}$

a	
Voltage	
Code	Description
00	0...250V AC/DC (no-lamp module ⁽¹⁾)
24	24V AC/DC ⁽³⁾
10	120V AC ⁽³⁾
20	240V AC ⁽³⁾

b	
Light Module Type	
Code	Description
XN	Steady no lamp ⁽²⁾
TL	Steady LED
GL	Flashing LED
BL	LED strobe, single flash

c	
Lens Color	
Code	Description
3	Green
4	Red
5	Amber
6	Blue
7	Clear
8	Yellow

- (1) Can only be selected with module type **XN**, voltage code **00**. Accepts 4 W socket mount incandescent lamp types only.
 (2) Incandescent lamps (catalog numbers 854J-L24, 854J-L10, and 854J-L20) must be purchased separately.
 (3) Not valid with module type **XN**.

Sound Modules

Sound modules have continuous and pulsing tones selectable via DIP switch. Maximum sound output is 80 dB(A) @ 1 meter.



Sound Module

854J - B 10 SA3
 a b c

a	
Housing Color	
Code	Description
B	Black

b	
Voltage	
Code	Description
24	24V AC/DC
10	120V AC
20	240V AC

c	
Module Type	
Code	Description
SA3	Single-circuit piezo style steady/pulsing DIP switch selectable

Standard Stack Light Bases



Surface-mount Base with External Holes



Vertical-mount Base



Pole-mount Base



Double-sided Base



1/2 in. NPT Base



Quick Release Base



Flange Style with M12 Micro Connector (Male)

854J - B VM C
 a b c

a	
Housing Color	
Code	Description
B	Black

b	
Base Type ⁽¹⁾	
Code	Description
NPT	1/2 in. NPT
VM	Vertical mount
SH	Surface mount, pre-installed mounting hardware
SF	Surface mount, external mounting holes
PM10	10 cm aluminum pole mount base
PM25	25 cm aluminum pole mount base
T10	10 cm threaded tube (M20)
T25	25 cm threaded tube (M20)
DS	Double-sided base ⁽²⁾
Q10	10 cm quick release base
Q25	25 cm quick release base
SFQD5	Flange-style base with M12 (5-pin DC) micro connector ^{(3) (4) (5) (6) (7)}

c	
Cap Option	
Code	Description
C	Cap included

(1) PM10, PM25, T10, T25, Q10, Q25 bases have powder-coated aluminum tubes.

(2) Double-sided base can accommodate up to ten modules per base that is divided in two groups up to five levels each.

(3) For vertical mounting of the base use catalog number 855T-AVM.

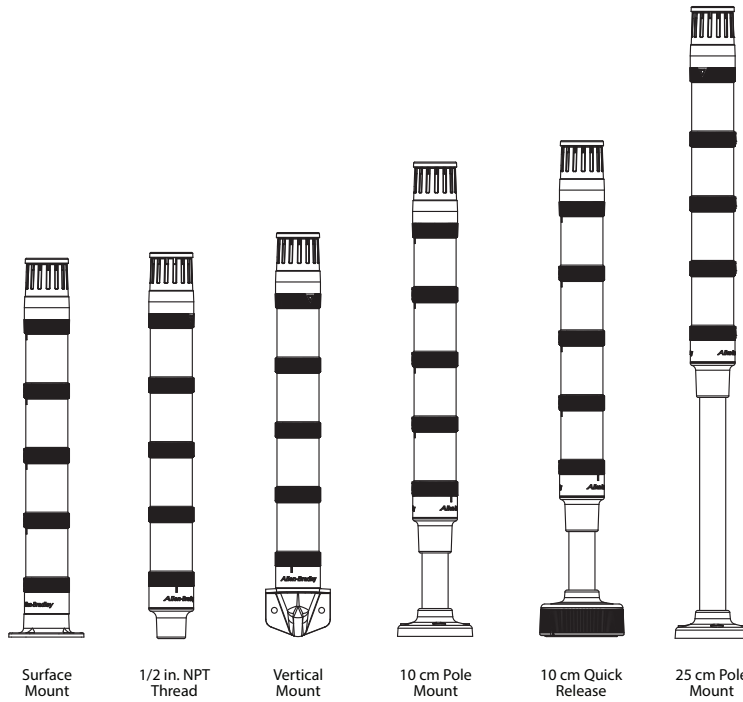
(4) Maximum number of levels that are allowed in the stack is four.

(5) For use with Bulletin 889D cordsets.

(6) Cannot be used with 10 cm plastic base extension (catalog number 854J-ABBE).

(7) Max. 250V AC/DC UL / 60V AC/DC IEC.

Pre-configured Tower Lights (1...5 Modules)



854JC – SF B 10 Y 3 L 5 B 3 L 7 Y 6

a b c d c d c d c d c d

(Level 1) (Level 2) (Level 3) (Level 4) (Level 5)

c+d c+d c+d c+d c+d

a	
Base Type ⁽¹⁾	
Code	Description
NPT	1/2 in. NPT
VM	Vertical mount
SF	Surface mount, external mounting holes
P10	10 cm aluminum pole mount base
P25	25 cm aluminum pole mount base
Q10	10 cm quick release base
Q25	25 cm quick release base

b	
Voltage	
Code	Description
24	24V AC/DC
10	120V AC








c	
Module Type	
Code	Description
Y	Steady LED
L	Flashing LED
B	Strobe LED — single flash
P	Piezo alarm — continuous/pulsing

d	
Lens Color	
Code	Description
1	Sound module ⁽²⁾
3	Green
4	Red
5	Amber
6	Blue
7	Clear
8	Yellow

(1) P10, P25, Q10, Q25 bases have powder-coated aluminum tubes.







(2) Sound module option can only be selected with Module Type option P in Table c. They must be located in the top position of the stack.

Accessories

	Description	Cat. No.
	Incandescent Lamps (4 W)	
	24V AC/DC	854J-L24 ⁽¹⁾
	120V AC	854J-L10 ⁽¹⁾
	240V AC	854J-L20 ⁽¹⁾
	Incandescent lamp removal tool	800T-N82
	10 cm plastic base extension, black	854J-ABBE
	Plastic vertical bracket for pole foot, black (can be used with Bul. 855T, 855E, 854K, and 855F pole bases)	854J-ABPB
	O-rings for lenses	854J-ALSG ⁽¹⁾
	O-rings for bases	854J-ABSG ⁽¹⁾
	Gasket for SH surface mount bases	854J-ASG2 ⁽¹⁾
	Upper base with terminal block, black	854J-ABUB
	Cap, black	854J-ABCAP
	Conduit mount adapter for threaded tube base (1/2 in. NPT to M20x1.5)	854J-ACMK
	L-bracket for threaded tube base (vertical mount kit)	854J-ABVM
	Direct mount kit for threaded tube base	854J-ARDM

(1) Order quantity of one to receive package of five.

Replacement Parts

	Description	Cat. No.
	Vertical Mount Gasket Replacement flat gasket is placed between the mounting surface and the vertical mount base (Cat. No. 854JBVMC).	855T-AVFG
	Pole Foot Gasket Replacement flat gasket is placed between the mounting surface and the pole base bottom foot. (Must order multiples of 5.) For use with Cat. No. 855T-BPM10C and 855T-BPM25C pole bases, Cat. No. 854J-BSFC and 854J-BSFOD5C bases, and Bulletin 855T, 855E, 855F, 855D, 854J, and 854K quick release bases.	855T-APFG
	Mounting Screw Washer Kit Replacement flat washers are used to provide a seal where the mounting screw meets the pole base. (1 kit includes 20 pieces)	855T-AMSG
	Locking ring for Bulletin 854J, 855D, and 855E quick release bases	855D-ABQLR
	Internal gasket for quick release base (order quantity of 1 and receive bag of five gaskets)	855D-AQG
	Quick release mounting base with gasket	855D-AQMB

Specifications

For full specification information, see publication [855-TD001](#).

Standards Compliance and Certifications

Attribute	Bulletin 854J
Standards Compliance	UL 508 CSA C22.2 No. 14 EN/IEC 60947-1 EN/IEC 60947-5-1
Certifications	c-UL-us Listed (File No. E14840, Guides NKCR, NKCR7) CE Marked RoHS Compliant

Environmental Ratings

Attribute	Bulletin 854J	
Ingress Rating	Light Modules with Cap	UL Type 4/4X/13, IP66
	Sound Modules	
	Surface, Vertical, and Tube Mount Bases	
	Pole Mount Bases	
	Flange-style Base with M12 Micro Connector ⁽¹⁾	
Temperature Rating — All Products	Operating Temperature	-30...+60 °C (-22...+140 °F) For Cat. No. 854J-BSFQD5C only: -30...+45 °C (-22...+113 °F)
	Storage Temperature	-30...+85 °C (-22...+185 °F)

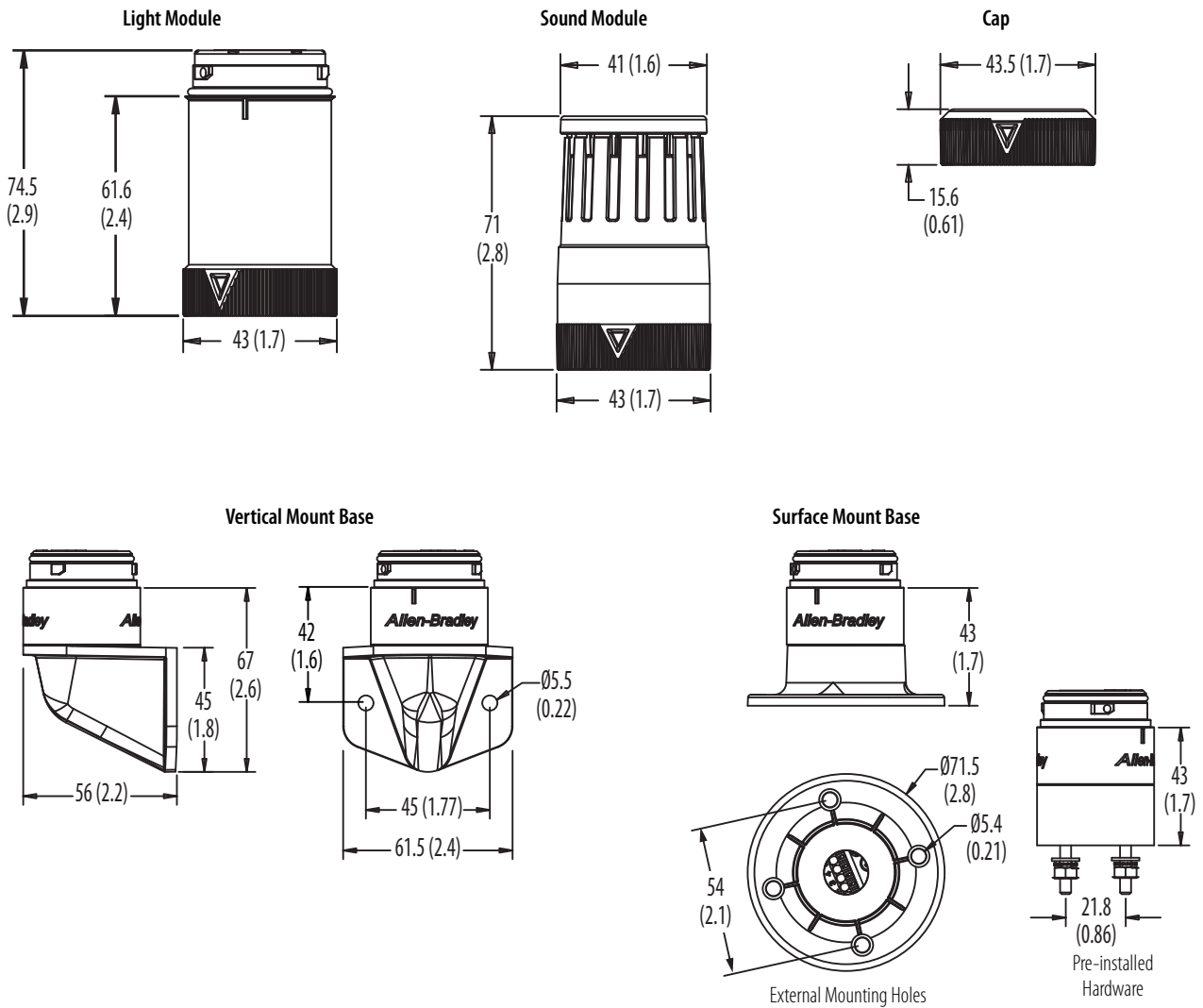
(1) UL Type 1 when used with catalog number 855T-AVM mounting bracket.

Operating Voltage

Description	24V AC/DC	120V AC	240V AC
Light Modules and Sound Modules	24V AC/DC (± 10%)	110V AC, 50 Hz (± 10%) 120V AC, 60 Hz (± 10%)	230V AC, 50 Hz (± 10%) 240V AC, 60 Hz (± 10%)

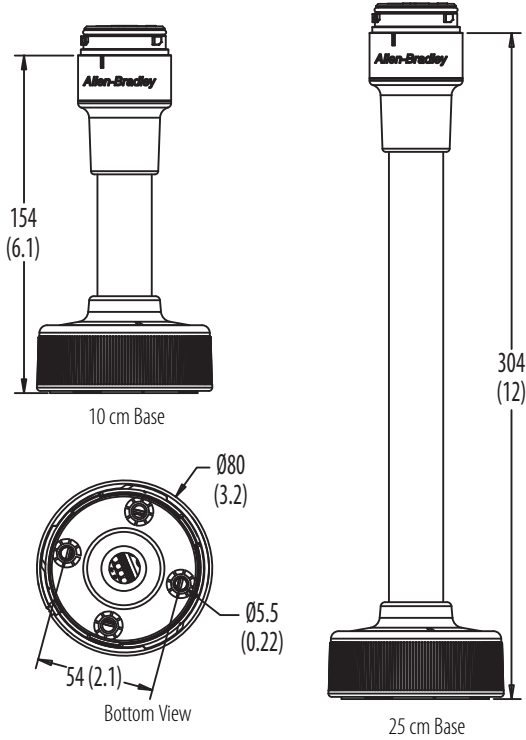
Approximate Dimensions

Dimensions in millimeters (inches). Dimensions are not intended to be used for manufacturing purposes.

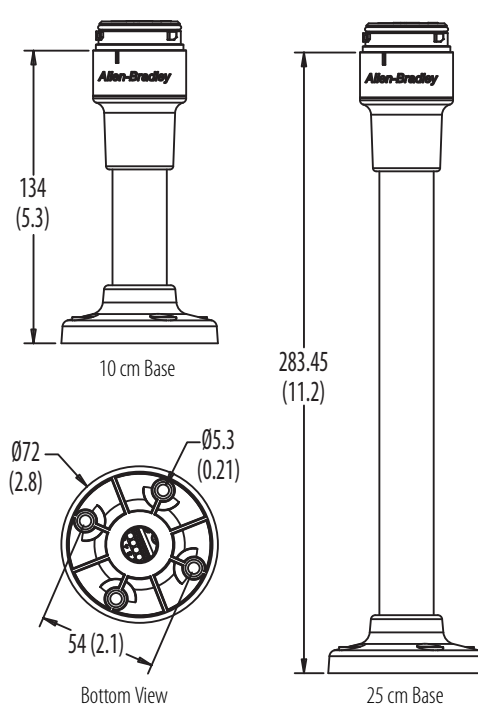


Dimensions in millimeters (inches). Dimensions are not intended to be used for manufacturing purposes.

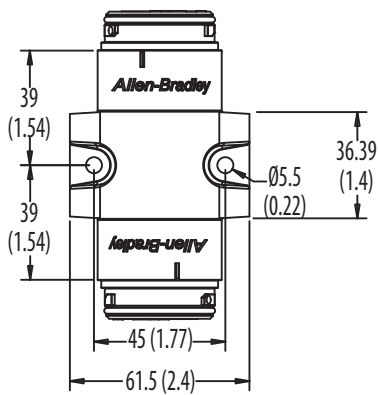
Quick Release Base



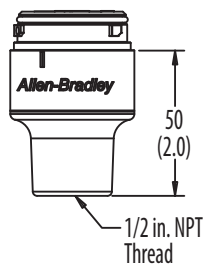
Pole Mount Base



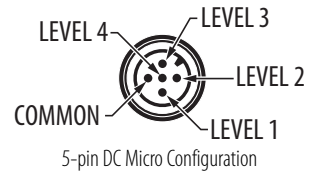
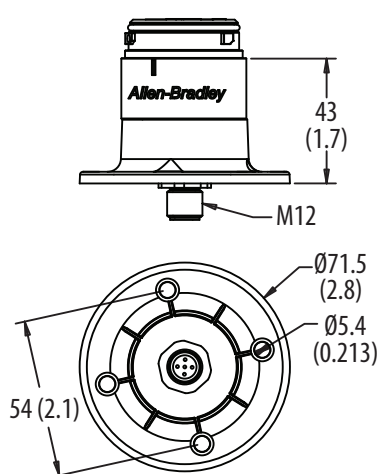
Double-sided Base



1/2 in. NPT Thread Base



Flange-style Base with M12 Micro Connector (Male)



Notes:

Bulletin 854K - 60 mm Control Tower Stack Lights

Product Overview

- UL Type 4/4X/13, IP66
- Stacking configurations 1...5 modules high per single stack
- “No tools” lens assembly
- Surface, vertical, M20 threaded tube, quick release base, 1/2 in. NPT, double-sided base, M12 (5-pin DC) micro connector, and pole mounting bases
- Screwless terminal blocks on top of all bases
- Available as separate components or pre-configured stacks



Product Selection

For more product selection, see ab.rockwellautomation.com/Signaling-Devices/854J-854K-Control-Tower-Stack-Lights#selection.

Light Modules



Steady LED Module

854K - $\frac{10}{a}$ $\frac{TL}{b}$ $\frac{4}{c}$

a	
Voltage	
Code	Description
00	0...250V AC/DC (no-lamp module ⁽¹⁾)
24	24V AC/DC ⁽³⁾
10	120V AC ⁽³⁾
20	240V AC ⁽³⁾

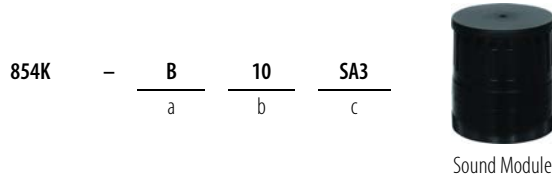
b	
Light Module Type	
Code	Description
XN	Steady no lamp ⁽²⁾
TL	Steady LED
GL	Flashing LED
BL	LED strobe, single flash

c	
Lens Color	
Code	Description
3	Green
4	Red
5	Amber
6	Blue
7	Clear
8	Yellow

- (1) Can only be selected with module type **XN**, voltage code **00**. Accepts 4 W socket mount incandescent lamp types only.
 (2) Incandescent lamps (catalog numbers 854J-L24, 854J-L10, and 854J-L20) must be purchased separately.
 (3) Not valid with module type **XN**.

Sound Modules

Sound modules have continuous and pulsing tones selectable via DIP switch. Maximum sound output is 90 dB(A) @ 1 meter and the volume is adjustable.

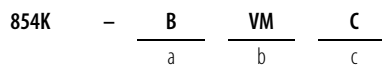


a	
Housing Color	
Code	Description
B	Black

b	
Voltage	
Code	Description
24	24V AC/DC
10	120V AC
20	240V AC

c	
Module Type	
Code	Description
SA3	Single-circuit piezo style steady/pulsing DIP switch selectable

Standard Stack Light Bases



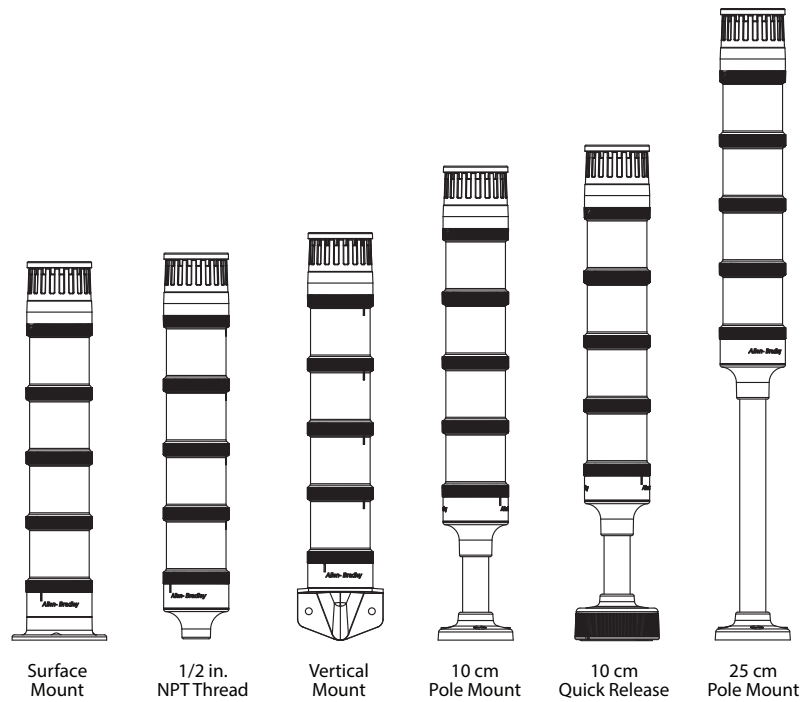
a	
Housing Color	
Code	Description
B	Black

b	
Base Type ⁽¹⁾	
Code	Description
NPT	1/2 in. NPT
VM	Vertical mount
SH	Surface mount, pre-installed mounting hardware
SF	Surface mount, external mounting holes
PM10	10 cm aluminum pole mount base
PM25	25 cm aluminum pole mount base
T10	10 cm threaded tube (M20)
T25	25 cm threaded tube (M20)
DS	Double-sided base ⁽²⁾
Q10	10 cm quick release base
Q25	25 cm quick release base
SFQD5	Flange-style base with M12 (5-pin DC) micro connector ^{(3) (4) (5) (6) (7)}

c	
Cap Option	
Code	Description
C	Cap included

- (1) PM10, PM25, T10, T25, Q10, Q25 bases have powder-coated aluminum tubes.
- (2) Double-sided base can accommodate up to ten modules per base that is divided in two groups up to five levels each.
- (3) For vertical mounting of the base use catalog number 855K-AVM.
- (4) Maximum number of levels that are allowed in the stack is four.
- (5) For use with Bulletin 889D cordsets.
- (6) Cannot be used with 10 cm plastic base extension (catalog number 854J-ABBE).
- (7) Max. 250V AC/DC UL / 60V AC/DC IEC.

Pre-configured Tower Lights (1...5 Modules)



854KC – SF B 10 Y 3 L 5 B 3 L 7 Y 6

a b c d c d c d c d c d

(Level 1) (Level 2) (Level 3) (Level 4) (Level 5)

c+d c+d c+d c+d c+d

a	
Base Type ⁽¹⁾	
Code	Description
NPT	1/2 in. NPT
VM	Vertical mount
SF	Surface mount, external mounting holes
P10	10 cm aluminum pole mount base
P25	25 cm aluminum pole mount base
Q10	10 cm quick release base
Q25	25 cm quick release base

b	
Voltage	
Code	Description
24	24V AC/DC
10	120V AC

c	
Module Type	
Code	Description
Y	Steady LED
L	Flashing LED
B	Strobe LED — single flash
P	Piezo alarm — continuous/pulsing

d	
Lens Color	
Code	Description
1	Sound module ⁽²⁾
3	Green
4	Red
5	Amber
6	Blue
7	Clear
8	Yellow

(1) P10, P25, Q10, Q25 bases have powder-coated aluminum tubes.







(2) Sound module option can only be selected with Module Type option P in Table c. They must be located in the top position of the stack.

Accessories

	Description	Cat. No.
	Incandescent Lamps (4 W) 24V AC/DC	854J-L24 ⁽¹⁾
	120V AC	854J-L10 ⁽¹⁾
	240V AC	854J-L20 ⁽¹⁾
	Incandescent lamp removal tool	800T-N82
	10 cm plastic base extension, black	854K-ABBE
	O-rings for lenses	854K-ALSG ⁽¹⁾
	Gasket for SH surface mount bases	854K-ASG2 ⁽¹⁾
	Upper base with terminal block, black	854K-ABUB
	Cap, black	854J-ABCAP
	Gasket for vertical mount bases	854K-AVFG ⁽¹⁾
	Gasket for surface mount base with external mounting holes	854K-ASG4 ⁽¹⁾
	Vertical mounting bracket for flange-style base (Cat. No. 854K-BSFQD5C) or surface mount base (Cat. No. 854KB5FC)	854K-AVM

(1) Order quantity of one to receive package of five.

Replacement Parts

	Description	Cat. No.
	Mounting Screw Washer Kit Replacement flat washers are used to provide a seal where the mounting screw meets the pole base. (One kit includes 20 pieces)	855T-AMSG
	Pole Foot Gasket Replacement flat gasket is placed between the mounting surface and the pole base bottom foot. (Must order multiples of 5.) For use with Cat. No. 855T-BPM10C and 855T-BPM25C pole bases, Cat. No. 854J-BSFC and 854J-BSFQD5C bases, and Bulletin 855T, 855E, 855F, 855D, 854J, and 854K quick release bases.	855T-APFG
	Locking ring for Bulletin 854J, 855D, and 855E quick release bases	855D-ABQLR
	Internal gasket for quick release base (order quantity of one and receive bag of five gaskets)	855D-AQG
	Quick release mounting base with gasket	855D-AQMB
	Conduit mount adapter for threaded tube base (1/2 in. NPT to M20x1.5)	854J-ACMK
	L-bracket for threaded tube base (vertical mount kit)	854J-ABVM
	Direct mount kit for threaded tube base	854J-ARDM
	Plastic vertical bracket for pole foot, black (can be used with Bulletin 855T, 855E, 854K, and 855F pole bases)	854J-ABPB

Specifications

For full specification information, see publication [855-TD001](#).

Standards Compliance and Certifications

Attribute	Value
Standards Compliance	UL 508 CSA C22.2 No. 14 EN/IEC 60947-1 EN/IEC 60947-5-1
Certifications	c-UL-us Listed (File No. E14840, Guides NKCR, NKCR7) CE Marked RoHS Compliant

Environmental Ratings

Attribute	Value
Ingress Ratings	Light Modules with Cap
	Sound Modules
	Surface, Vertical, and Tube Mount Bases
	Pole Mount Bases
	Flange-style Base with M12 Micro Connector ⁽¹⁾
Temperature Ratings — All Products	Operating Temperature -30...+60 °C (-22...+140 °F) For Cat. No. 854K-BSFQD5C only: -30...+45 °C (-22...+113 °F)
	Storage Temperature -30...+85 °C (-22...+185 °F)

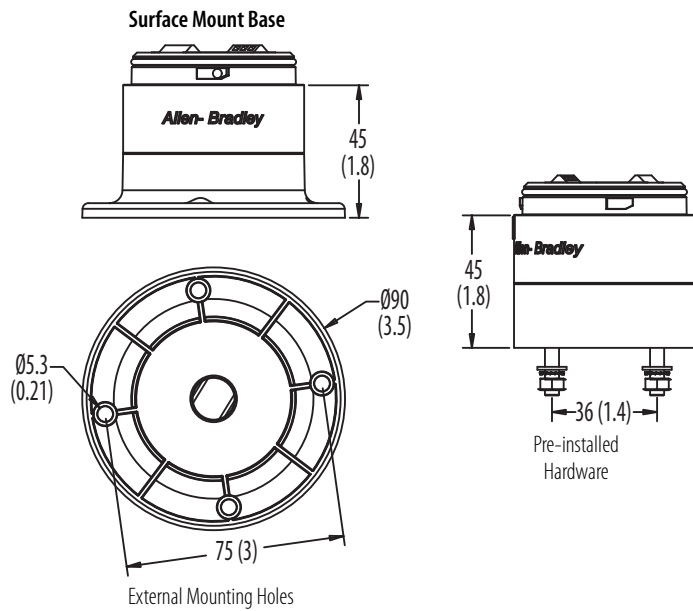
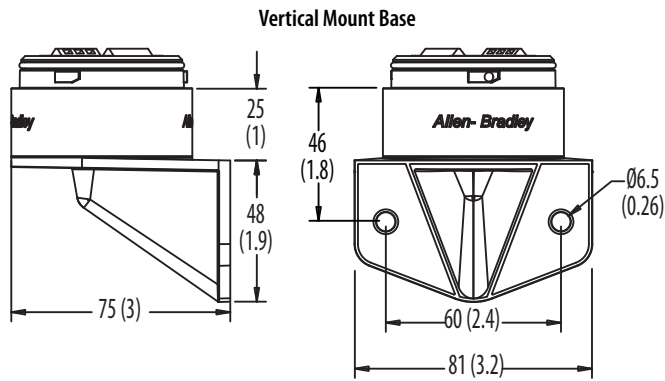
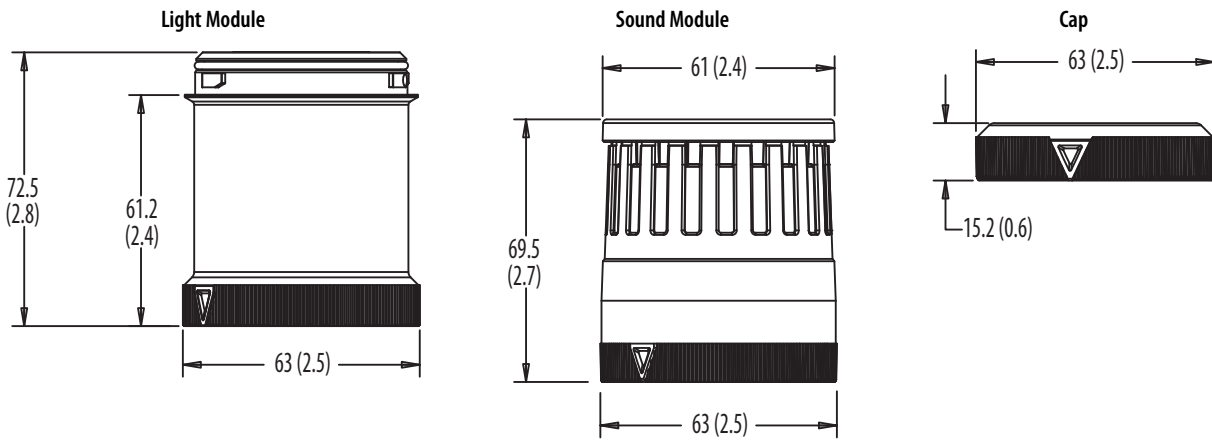
(1) UL Type 1 when used with catalog number 855K-AVM mounting bracket.

Operating Voltage

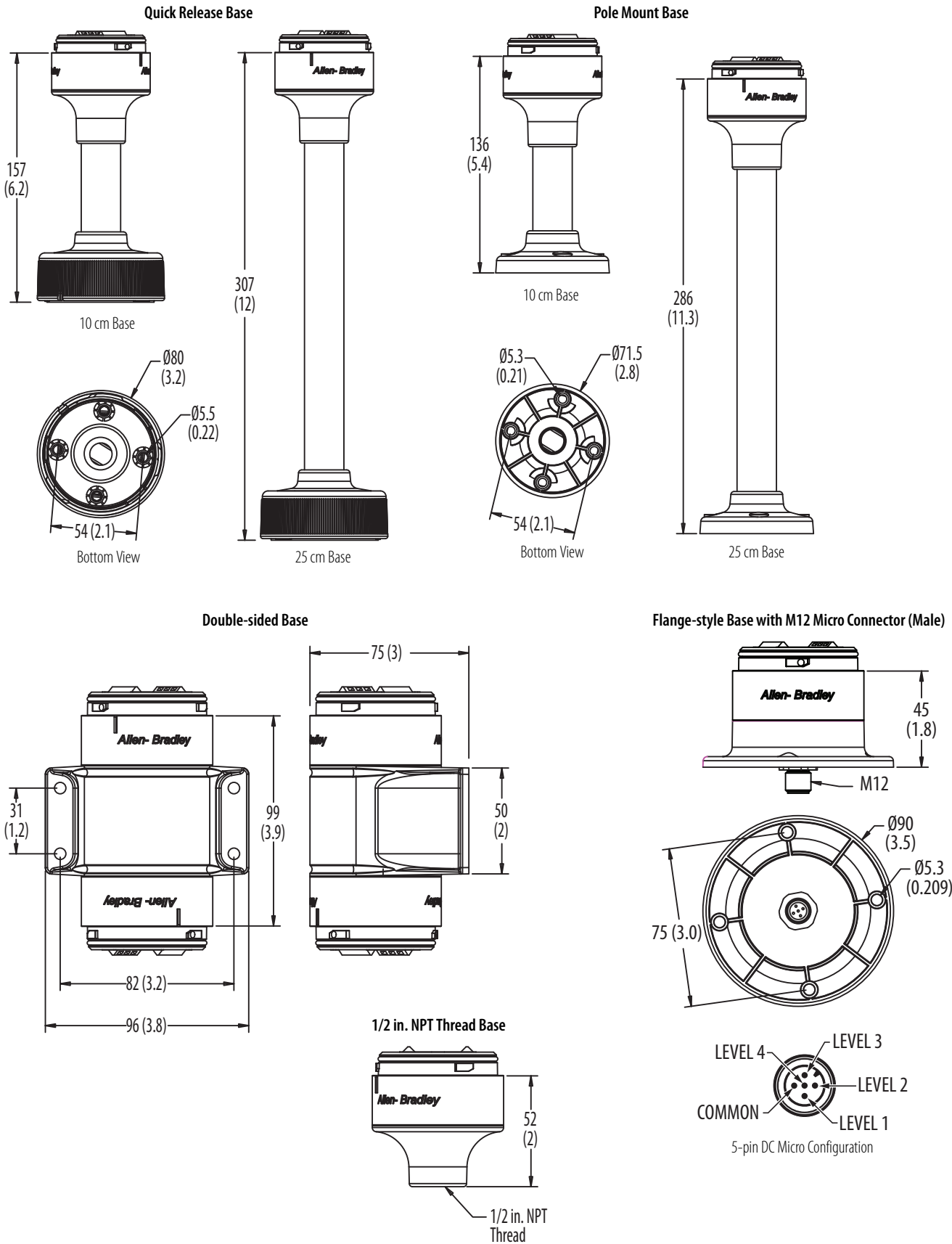
Description	24V AC/DC	120V AC	240V AC
Light Modules and Sound Modules	24V AC/DC (± 10%)	110V AC, 50 Hz (± 10%) 120V AC, 60 Hz (± 10%)	230V AC, 50 Hz (± 10%) 240V AC, 60 Hz (± 10%)

Approximate Dimensions

Dimensions in millimeters (inches). Dimensions are not intended to be used for manufacturing purposes.



Dimensions in millimeters (inches). Dimensions are not intended to be used for manufacturing purposes.



Notes:

Notes:

Rockwell Automation Support

Use the following resources to access support information.

Technical Support Center	Knowledgebase Articles, How-to Videos, FAQs, Chat, User Forums, and Product Notification Updates.	www.rockwellautomation.com/knowledgebase
Local Technical Support Phone Numbers	Locate the phone number for your country.	www.rockwellautomation.com/global/support/get-support-now.page
Direct Dial Codes	Find the Direct Dial Code for your product. Use the code to route your call directly to a technical support engineer.	www.rockwellautomation.com/global/support/direct-dial.page
Literature Library	Installation Instructions, Manuals, Brochures, and Technical Data.	www.rockwellautomation.com/literature
Product Compatibility and Download Center (PCDC)	Get help determining how products interact, check features and capabilities, and find associated firmware.	www.rockwellautomation.com/global/support/pcdc.page

Documentation Feedback

Your comments will help us serve your documentation needs better. If you have any suggestions on how to improve this document, complete the How Are We Doing? form at http://literature.rockwellautomation.com/idc/groups/literature/documents/du/ra-du002_-en-e.pdf.

Rockwell Automation maintains current product environmental information on its website at <http://www.rockwellautomation.com/rockwellautomation/about-us/sustainability-ethics/product-environmental-compliance.page>.

Allen-Bradley, Control Tower, LISTEN. THINK. SOLVE., Rockwell Automation, and Rockwell Software are trademarks of Rockwell Automation, Inc. Trademarks not belonging to Rockwell Automation are property of their respective companies.

www.rockwellautomation.com

Power, Control and Information Solutions Headquarters

Americas: Rockwell Automation, 1201 South Second Street, Milwaukee, WI 53204-2496 USA, Tel: (1) 414.382.2000, Fax: (1) 414.382.4444

Europe/Middle East/Africa: Rockwell Automation NV, Pegasus Park, De Kleetlaan 12a, 1831 Diegem, Belgium, Tel: (32) 2 663 0600, Fax: (32) 2 663 0640

Asia Pacific: Rockwell Automation, Level 14, Core F, Cyberport 3, 100 Cyberport Road, Hong Kong, Tel: (852) 2887 4788, Fax: (852) 2508 1846

Publication 854-SG001D-EN-P - July 2017

Supersedes Publication 854-SG001C-EN-P - February 2016

Copyright © 2017 Rockwell Automation, Inc. All rights reserved. Printed in the U.S.A.