

## We've Got You Covered ... Our Protective Open Fixture Lampholders Accept Only Metal Halide Lamps with Internal Arc Tube Shields

**Patented design  
prevents relamping  
with standard HID  
lamps ... increases safety**

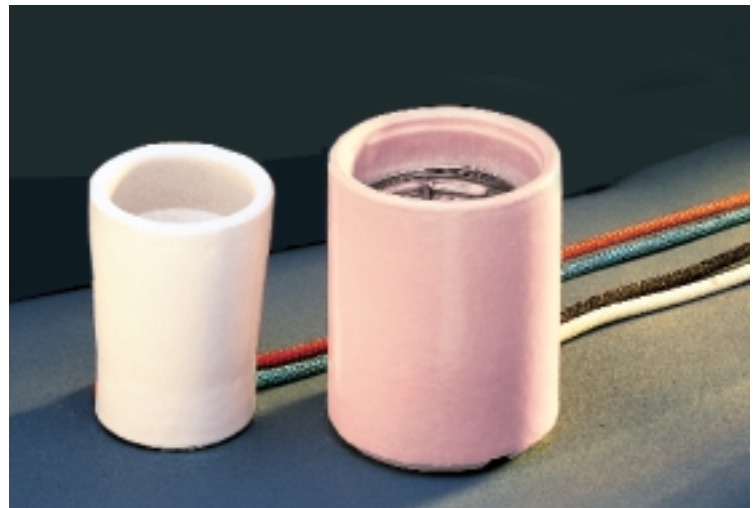
### Definition:

Leave it to Leviton to patent an innovative lampholder that will enable manufacturers and designers of open fixtures to comply with 2005 NFPA 70 code changes. The changes require a safety feature that will prevent users from relamping with HID lamps that do not have an inner protective shield. Leviton's open fixture lampholders are designed to accept only shielded metal halide lamps, preventing the possibility of unsafe relamping and ensuring compliance. Open fixture lamps are an increasingly popular choice with manufacturers because they operate at cooler temperatures and allow for easy relamping.

Leviton's full line of medium and mogul base open fixture lampholders can be incorporated into a wide variety of designs. They are available with pulse-rated mogul base in light pink glazed porcelain with wireways (Cat. No. 8751) or with medium base in white glazed porcelain (Cat. Nos. 70051/70052).

### Applications:

- Indoor lighting for retail, commercial and industrial facilities
- Street and stadium lighting



## Pulse-Rated Mogul Base for HID Applications

Cat. No. 8751

Designed for use with metal halide mogul-base lamps. Mogul-base metal halide lamps without the inner protective shield will not make contact with the lampholder's center contact.

### Features and Benefits:

- Light pink glazed porcelain body with wireways
- Copper alloy, nickel-plated center contact and lamp-grip screw shell
- Stainless steel coil spring under center contact
- Two leads, 14 AWG 200°C 600V glass braid SEW-2, black and white, 12" long, stripped 1/2".  
Two 8-32 captive mounting screws
- Available with lock nut mounting (UL Recognized Component) upon request

### Rating:

Cat. No. 8751

1500W-600V 4 KV Pulse Rated

### Agency Standards:

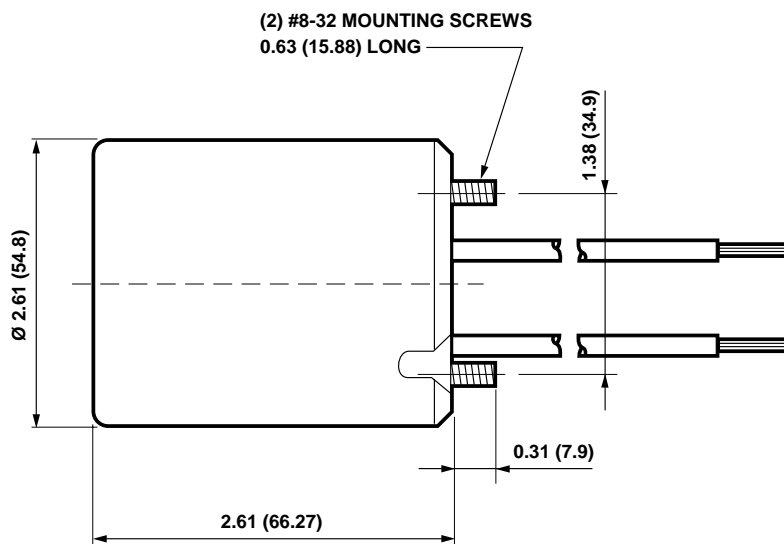
UL Listed (File #E-13402) CSA Certified (File #LR-1863)

ANSI C81 Standard Sheet #210 for EX39 Mogul Base

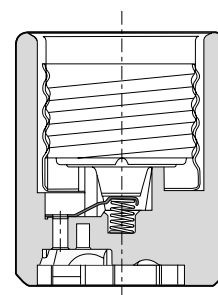
### Ordering Information:

Cat. No. 8751, Open fixture lampholder with wireways. Also available with lock nut mounting upon request.

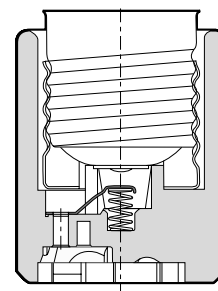
### Dimensional Drawing:



Cat. No. 8751



Designed for metal halide mogul-base lamps with an inner protective shield.



Will not accept standard metal halide mogul-base lamps.

Note: Dimensions in parentheses are in millimeters.  
All other dimensions are in inches.

# Pulse-Rated Medium Base for HID and Incandescent Applications

## Cat. Nos. 70051 and 70052 Series

### Features and Benefits:

#### Cat. Nos. 70051 and 70052 Series

For use in down-light applications with metal halide lamps

- White glazed porcelain body with special extended design conforms to UL requirements for the live screw shell
- Copper alloy, nickel plated screw shell
- Copper alloy, nickel plated center contact with leaf spring under contact
- Standard leads are No. 18 AWG (1 Red, 1 Blue) UL Style 3303, 150°C 1000V wire, 28" long, stripped 1/2"

#### Cat. Nos. 70051-100 and 70052-100 Series

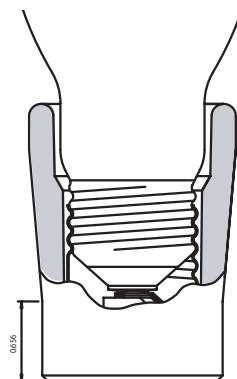
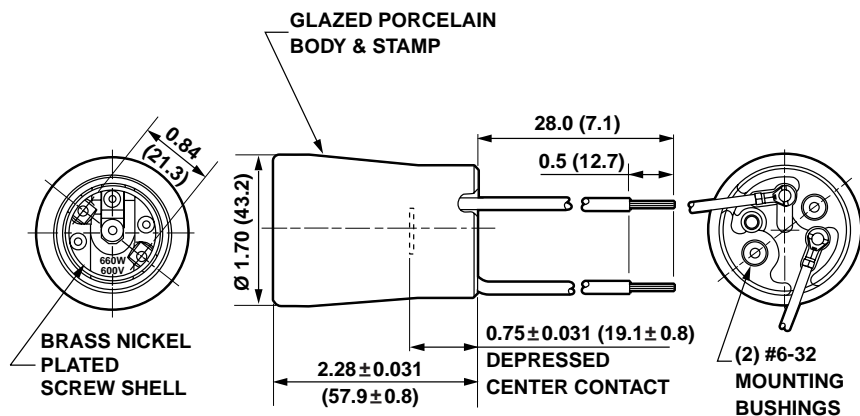
For use with open-fixture, medium base lamps

- Special extended body design
- Leads are No. 18 AWG (1 black, 1 white) 200°C 600V SEW-2 (SF-2) wire, 9" long, stripped 1/2"

### Rating:

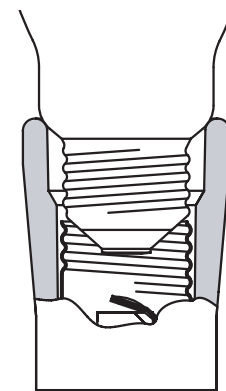
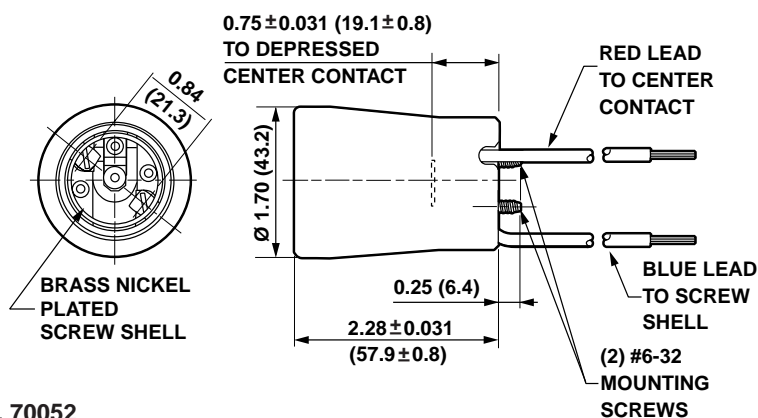
Cat. Nos. 70051/70052 Series  
660W-600V 4 KV Pulse Rated

### Dimensional Drawing:



Designed for metal halide lamps with internal arc tube shield

#### Cat. No. 70051



Will NOT accept standard metal halide lamps

#### Cat. No. 70052

## Agency Standards

Cat. Nos. 70051 and 70051-100 Series:

UL Recognized Component E-3810

Cat. Nos. 70052 and 70052-100 Series:

UL Listed E-3810

ANSI C81 Standard Sheet #911 for EX26 Medium Base

## Ordering Information:

Cat. No. Bushing Mount	Cat. No. Screw Mount	Cat. No. Bushing Mount	Cat. No. Screw Mount	With Screw Shell Reinforcing Washers	With Lamp Grip Screw Shell	Less Leaf Spring Under Center Contact
70051-000	70052-000	70051-100	70052-100	–	–	–
70051-001	70052-001	70051-101	70052-101	X	–	–
70051-002	70052-002	70051-102	70052-102	–	X	–
70051-003	70052-003	70051-103	70052-103	X	X	–
70051-010	70052-010	70051-110	70052-110	–	–	X
70051-011	70052-011	70051-111	70052-111	X	–	X
70051-012	70052-012	70051-112	70052-112	–	X	X
70051-013	70052-013	70051-113	70052-113	X	X	X

### Leviton Manufacturing Co., Inc.

59-25 Little Neck Parkway, Little Neck, New York 11362-2591

Tel: 1-800-833-3532 • Tech Line (8:30AM-7:30PM ET, Mon.-Fri.): 1-800-824-3005

• FAX: 1-800-832-9538

• Web site: [www.leviton.com](http://www.leviton.com) • Email: [info@leviton.com](mailto:info@leviton.com)

### Leviton Manufacturing of Canada, Ltd.

165 Hymus Blvd., Pointe Claire, Quebec H9R 1E9

Tel: 1-800-469-7890 • FAX 1-800-563-1853

Because Leviton engages in a continuous program of product improvement, all data in this publication is subject to change without notice.

