



IMPORTANT SAFEGUARDS

When using electrical equipment, basic safety precautions should always be followed including the following.

READ AND FOLLOW ALL SAFETY INSTRUCTIONS

1. Do not use outdoors
2. Do not mount near gas or electric heaters.
3. Use caution when handling batteries. Avoid possible shorting.
4. Equipment should be mounted at heights (Max:9ft) to prevent tampering by unauthorized personnel.
5. The use of accessory equipment is not recommended by the manufacturer, this may cause unsafe conditions.
6. Do not use this equipment for other than the intended use.
7. Save these instructions

INSTALLER:

- SEE UNIT LABEL FOR ADDITIONAL MODEL SPECIFICATIONS
- SAVE THESE INSTRUCTIONS FOR USE BY OWNER/OCCUPANT

WARNING – This product contains chemicals known to the State of California to cause cancer, birth defects and/or other reproductive harm. Thoroughly wash hands after installing, handling, cleaning, or otherwise touching this product.

tradeSELECT®

INSTALLATION

IMPORTANT:

When relamping, only use lamps specified in the exit sign.

Using other lamp types may result in transformer damage or unsafe conditions.

The battery in this unit may not be fully charged.

After electricity is hooked up to unit, let the battery charge up for at least 24 hours, then normal operation of this unit should take effect.

Ceiling Mounting

1. Connect 20" jumper leads to A.C. input leads in J-box, fasten J-box bracket to J-box. Use black wire for 120 volt, Red wire for 277 volt, White wire is common.
2. Fasten canopy to J-box bracket.
3. Snap housing to canopy.
4. Connect and trim input leads to socket leads at upper left corner of housing wire channel.
5. Mount two Remote lamp head at most.
6. Secure face plate to housing. Remove the proper arrow as required.

Back Mounting

1. Connect 20" jumper leads to A.C. input leads in J-box. Use Black wire for 120 volt, Red wire for 277 volt, White wire is common.
2. Remove necessary knockouts and fasten back cover to J-box.
3. Snap housing to back cover.
4. Connect and trim input leads to socket leads at upper left corner of housing wire channel.
5. Mount two Remote lamp head at most.
- 6) Secure face plate to housing.

Warning: Unused wires must be capped using enclosed wire nuts.

1. The unit is shipped from the factory with the color selector jumper set to "RED" (see figure 2 - jumper is placed across pins 2&3) and use the red diffuser.
2. To change the color to "GREEN", move the color selector jumper to "GREEN" (see figure 1 -jumper is placed across pins 1&2) and use the green diffuser.

Figure 1

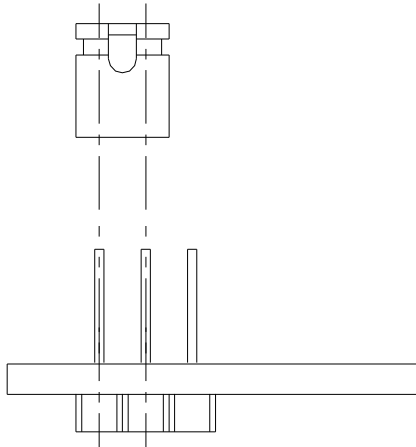
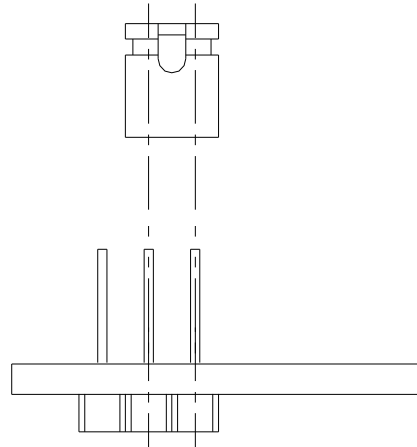
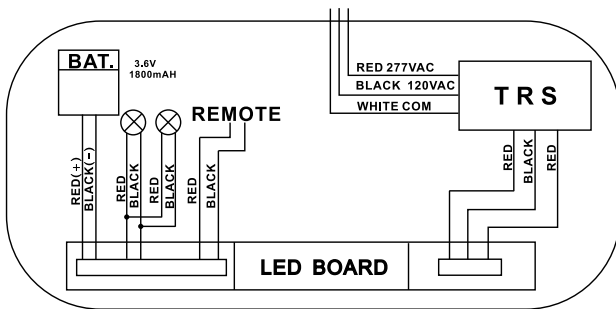


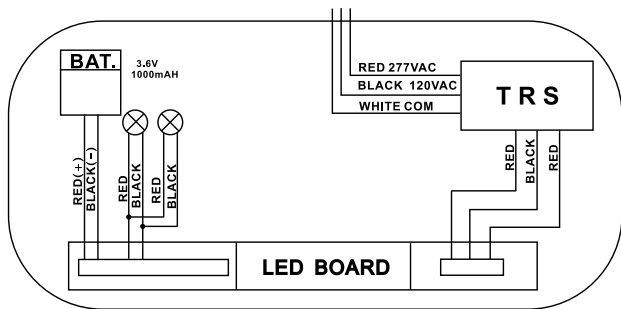
Figure 2



WIRING DIAGRAMS



CCRGRC, CCRGRB



CCRG, CCRGB



RECYCLING INFORMATION
 All steel, aluminum and thermoplastic parts are recyclable.
 All cartons contain recycled materials.
 Please recycle responsibly.