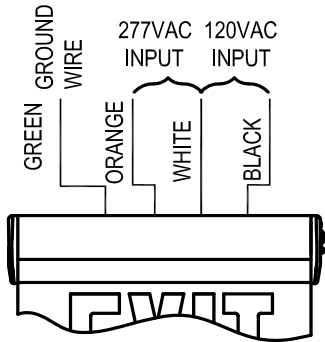


WIRING DIAGRAM



ELECTRICAL CONNECTIONS

1. Make the proper supply wire connections.
2. If using 120 VAC, connect the black and white wires to the building utility.
3. If using 277 VAC, connect the orange and white wires to the building utility.
4. Cap off unused wire. In all cases, use standard wire nuts in connection to wires.



RECYCLING INFORMATION

All steel, aluminum and thermoplastic parts are recyclable.
 NOTICE: Emergency units contain rechargeable batteries which must be recycled or disposed of properly.

Hubbell Lighting, Inc. Life Safety Products • www.dual-lite.com

Copyright© Hubbell Lighting, Inc., All Rights Reserved • Specifications subject to change without notice. • Printed in U.S.A.

COMP0002_INST_SHT 09/12



CELS

Surface Mount LED Emergency Exit



IMPORTANT SAFEGUARDS

When using electrical equipment, basic safety precautions should always be followed including the following:

READ AND FOLLOW ALL SAFETY INSTRUCTIONS

1. Do not use outdoors.
2. Do not let power supply cords touch hot surfaces.
3. Do not mount near gas or electric heaters.
4. Equipment should be mounted in locations and at heights where it will not readily be subject to tampering by unauthorized personnel.
5. The use of accessory equipment not authorized by the manufacturer may cause an unsafe condition.
6. Do not use this equipment for other than its intended purpose.
7. Servicing of this equipment should be performed by qualified service personnel.
8. Test cycling: the Life Safety Code (NFPA 101) requires testing of emergency lighting units once a month for a minimum of 30 seconds, and once a year for a minimum of 90 minutes.

INSTALLER:

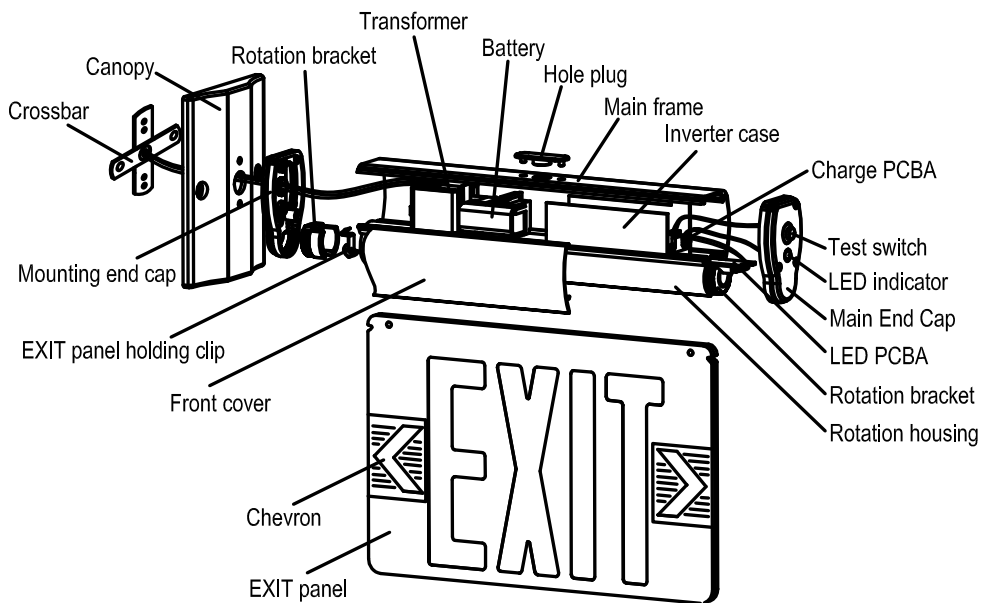
- SEE UNIT LABEL FOR ADDITIONAL MODEL SPECIFICATIONS
- SAVE THESE INSTRUCTIONS FOR USE BY OWNER/OCCUPANT

WARNING – This product contains chemicals known to the State of California to cause cancer, birth defects and/or other reproductive harm. Thoroughly wash hands after installing, handling, cleaning, or otherwise touching this product.

PACKAGE CONTENTS

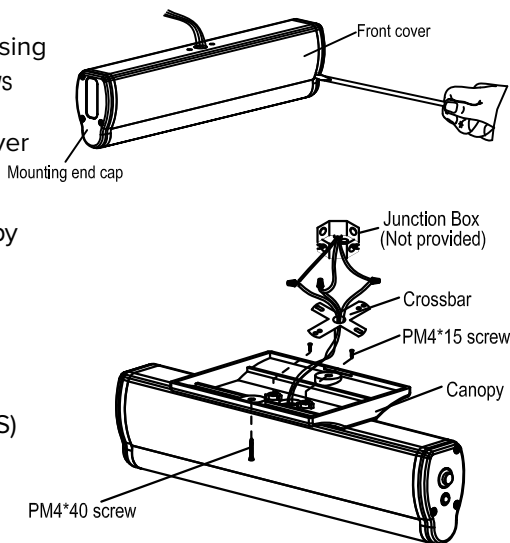
Part	Description	Quantity
1	LED Edge-Lit EXIT Sign	1
2	Canopy	1
3	Hardware Bag	1

ASSEMBLY DRAWING

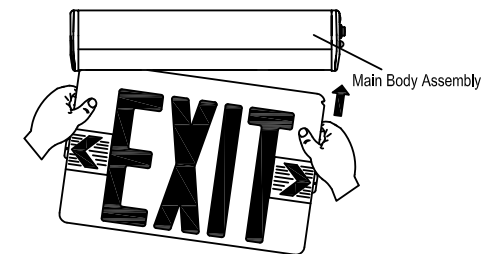
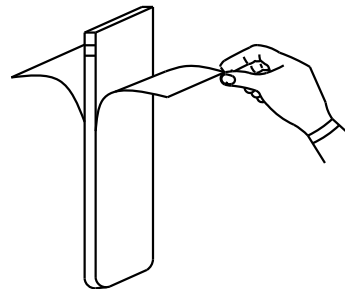


NOTE: FIRST TURN OFF ELECTRICITY
SURFACE CEILING & WALL MOUNTING

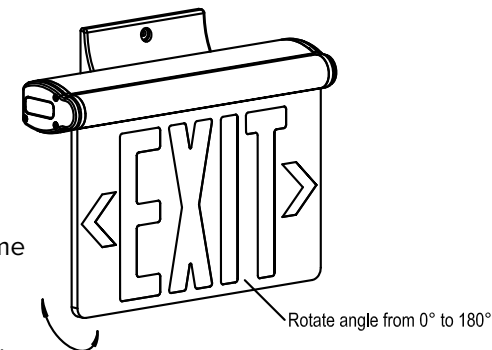
1. Attach crossbar to junction box, using screws if needed (screws are not provided)
2. Use screwdriver to open front cover to connect battery connector.
3. Feed AC supply wires through canopy center hole.
4. Assemble canopy onto main body assembly with (2) PM4*15 screws (supplied) and make wire connections. (See ELECTRICAL CONNECTIONS)
5. Use (2) PM4*40 screws (supplied) tighten canopy to crossbar.



6. Peel off protective film from both sides of EXIT panel
Insert EXIT panel into main body assembly gently. If EXIT panel is for single face, make sure EXIT letter direction is correct.

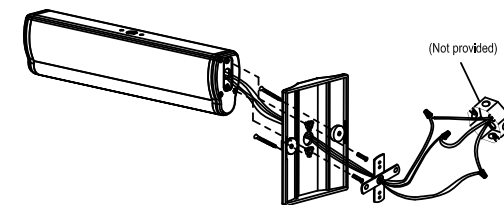


7. Determine direction for chevron placement. (See DETERMINE DIRECTION)
8. The unit can be installed on any surface. You may rotate the EXIT panel in any angle from 0° to 180°. Ceiling mounting rotate 90° become wall mounting.



SURFACE END MOUNTING

1. Attach crossbar to junction box, using screws if needed. (Screws are not provided)
2. Use screwdriver open front cover to connect battery connector.
3. Remove the hole plug from mounting end cap.
4. Pull out all AC supply wires and feed wires thru the center hole of mounting end cap and then canopy.
5. Reference 4-7 step in surface ceiling and wall mounting above for surface end mounting.
6. The unit can be installed on any surface, you may rotate the EXIT panel in any angle from 0° to 180°.



DETERMINE DIRECTIONS

1. If indicator chevron is required, maintain chevron and remove locator template.
2. If indicator chevron is not required, remove both the chevron and locator template.

