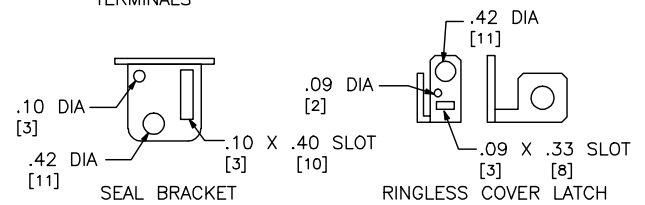
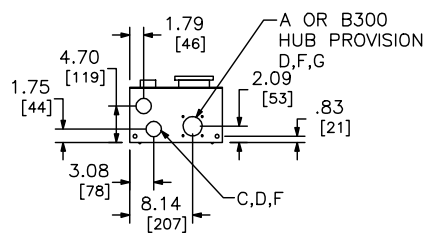
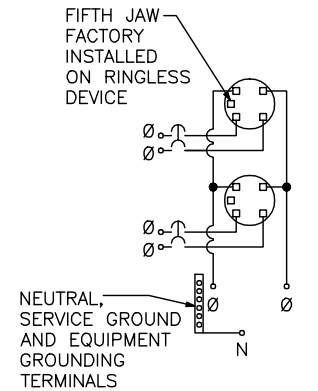
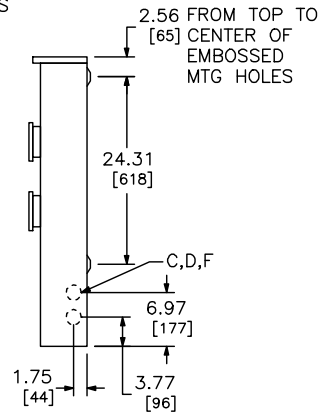
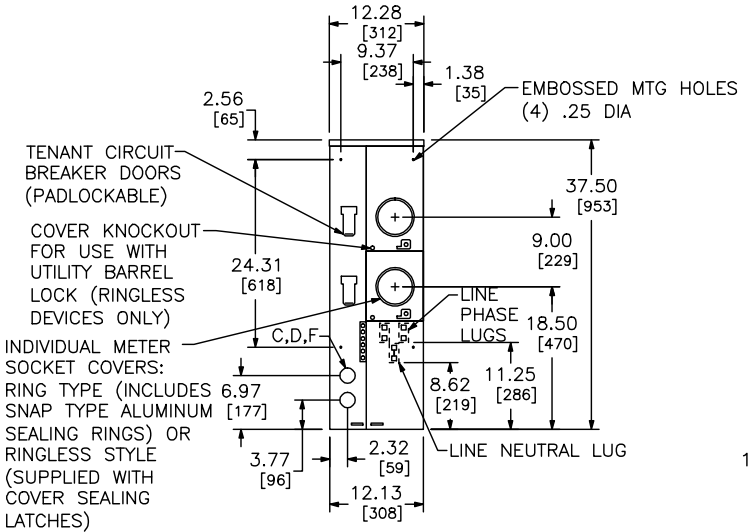
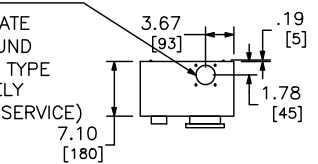


SUPPLIED WITH  
ACP CLOSING PLATE  
(FOR UNDERGROUND  
SERVICE) ORDER TYPE  
A HUB SEPARATELY  
(FOR OVERHEAD SERVICE)



KNOCKOUTS				
SYMBOL	CONDUIT SIZE		HOLE DIAMETER	
	IN	MM	IN	MM
A	.50	13	.88	22
B	.75	19	1.25	32
C	1.00	25	1.38	35
D	1.25	32	1.75	44
E	1.50	38	2.00	51
F	2.00	51	2.50	64
G	2.50	64	3.00	76

INTERRUPTING RATING RMS SYMMETRICAL AMPERES AT 120/240 V AC MAX	SQUARE D CIRCUIT BREAKER CATALOG DESIGNATION	CIRCUIT RATING AMPERES MAX
10,000	QO	125
22,000	QO-VH	125
42,000	QOH	125

NOTES:  
FINISH - UL COMPONENT RECOGNIZED GRAY BAKED POWDER COAT PAINT OVER CLEANED PHOSPHATIZED STEEL.  
UL LISTED - FILE E-6294. SUITABLE ONLY FOR USE AS SERVICE EQUIPMENT. SUITABLE FOR OH, UG SERVICE.  
RING-TYPE DEVICE SUPPLIED WITH 4-JAW METER SOCKET, 5TH JAW KIT AVAILABLE.  
SURFACE MOUNT, CONVERTABLE TO SEMI-FLUSH WITH FIELD INSTALLED KIT.  
MECHANICAL LUGS FACTORY INSTALLED.  
LOAD PHASE LUGS ARE SUPPLIED AS A PART OF THE CIRCUIT BREAKER (TENANT SERVICE DISCONNECT).  
THE METER CENTER SHORT CIRCUIT CURRENT RATING IS EQUAL TO THE LOWEST SHORT CIRCUIT CURRENT RATING GIVEN IN THE TABLE FOR ANY CIRCUIT BREAKER INSTALLED IN THE METER CENTER.

METER SOCKET COVER	NO. OF METER SOCKETS	NO. OF JAWS	FACTORY INSTALLED BYPASS	120/240VAC, 1Ø 3 WIRE OR 208Y/240VAC, 1Ø 3 WIRE (5TH JAW REQUIRED)		LOAD LUG WIRE SIZES (AWG-KCMIL)	
				MAIN BUS RATING	CATALOG NUMBER	PHASE AND NEUTRAL	NEUTRAL, SERVICE GROUND & EQUIPMENT GROUNDING
RING-TYPE	2	4	NONE	200	MP22125	#4-250	SEE CIRCUIT BREAKER WIRE SIZE
RINGLESS	2	5	NONE	200	MPR22125		
RINGLESS	2	5	HORN	200	MPH22125		

MP METER-PAK METERING EQUIPMENT  
NEMA TYPE 3R ENCLOSURE  
125A MAXIMUM TENANT CIRCUIT BREAKERS



DWG# 2248  
NO.