

For Compact Fixtures, Try Our Quartz Halogen Lampholder for GU10 Base Lamps

Twist-in Base Configuration
Offers Easy Lamping and Secure Fit



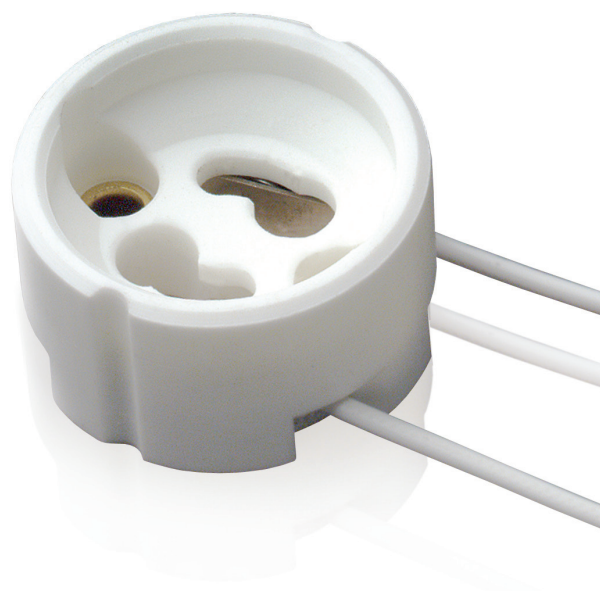
Leviton introduces an innovative ceramic lampholder designed for single-ended quartz halogen lamps with a GU10 base. Perfect for use in compact fixtures, GU10 base lamps operate at 120V, are fully dimmable and do not need a transformer, simplifying design and reducing costs for OEM's. The Leviton lampholder has spring-loaded, solid-nickel contacts for superior electrical conductivity. Standard leads (2) are white, No. 20 AWG Teflon® wire rated 250°C 600V, 8" long, stripped 1/4".

Applications:

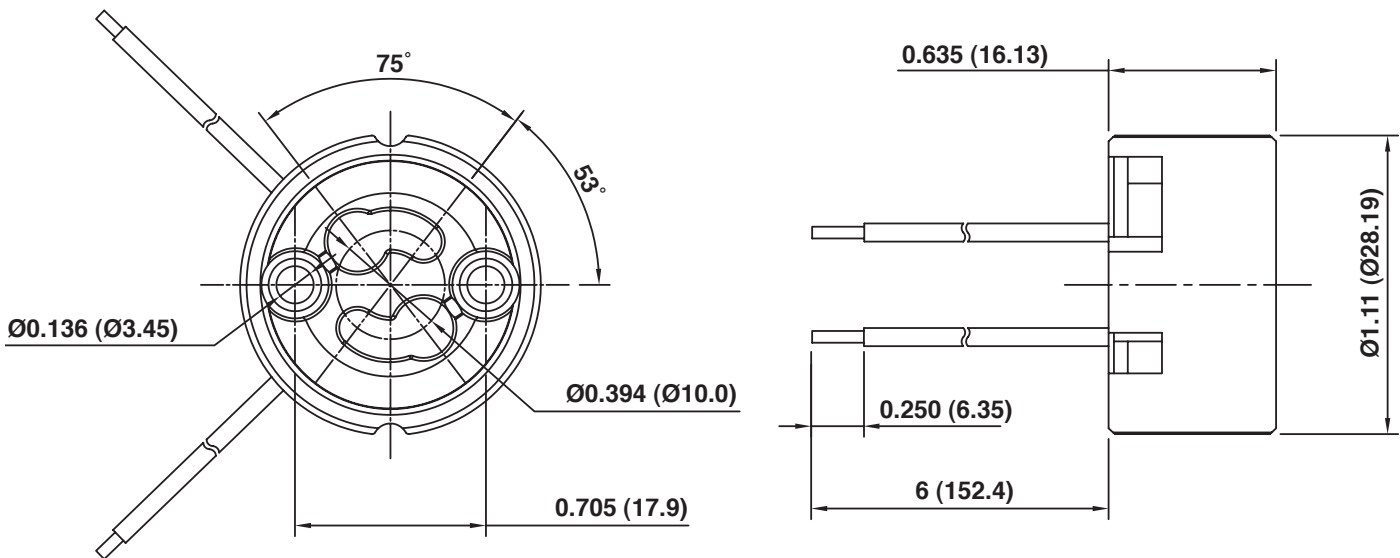
- Indoor accent and display lighting
- Gallery, museum and showroom lighting

Features and Benefits:

- Reduces fixture cost by using transformer-less quartz halogen lamps
- Twist-in design offers fast, easy lamping and a secure fit
- Spring loaded solid nickel contacts



Dimensions



Cat. No. 570

Note: Dimensions in parentheses are in millimeters. All other dimensions are in inches.

Specifications

Rating	Agency Standards
660W-600V Accepts Quartz Halogen GU10 Lamps	UL Listed  (File# E-13405)

Ordering Information

Cat. No.	Description
570	Lampholder for single-ended quartz halogen lamps with GU10 base. Ceramic body. Standard leads (2) white, No. 20 AWG Teflon® wire rated 250°C 600V, 8" long, stripped 1/4".

Leviton Manufacturing Co., Inc.

201 N Service Rd, Melville, NY 11747
 Telephone: 1-800-323-8920 • FAX: 1-800-832-9538
 Tech Line (7:00AM-7:30PM E.S.T. Monday-Friday): 1-800-824-3005

Leviton Manufacturing of Canada, Ltd.

165 Hymus Blvd, Pointe-Claire, QC H9R 1E9
 Telephone: 1-800-469-7890 • FAX: 1-800-563-1853

Leviton S. de R.L. de C.V.

Lago Tana 43, Col. Huichapan, Miguel Hidalgo, CP 11290 México DF
 Tel. (+52) 55-5082-1040 • Fax: (+52) 55-5386-1797 • www.leviton.com.mx

Visit our Website at: www.leviton.com/industrial email: industrial@leviton.com

© 2010 Leviton Manufacturing Co., Inc. All rights reserved.

