

Industrial Computer and Monitor Specifications

Bulletins 6177R, 6181P, 6181X, 6176M, 6186M



Integrated Display Computers (6181P)



Non-display Computers (6181P)



Hazardous Location Computers
Non-display and Display (6181X)



Non-display Computers (6177R)



Standard Industrial Monitors (6176M)



Performance Industrial Monitors (6186M)

Topic	Page
Summary of Changes	2
Overview	2
Integrated Display and Non-display Computers	4
Hazardous Location Computers	10
Non-display Computers	13
Industrial Monitors	17
6186M Performance Monitors	18
6176M Standard Monitors	21
HMI Software	24
Additional Resources	31



Summary of Changes

This publication contains new and updated information as indicated in the following table.

Topic	Page
Removed 6181F, 6180P, and 6155R from available catalog numbers as these models are no longer offered.	1
Removed the following from Table 1: <ul style="list-style-type: none"> 6181F from Integrated Display Computer row heading All 6181 Standard computer information from 6181P Integrated Display Computers column All 6180P Integrated Display Computer with Keypad information All 6155R Compact Non-display Computer information 	3
Added 256 GB, 2.5-in. SATA SSD to primary storage media in 6181P Integrated Display Computers column.	3
Updated information and added non-display computer picture to 6181P introductory section.	4
Removed Standard column from Table 2 because this computer model is no longer offered.	4
Added Table 3.	5
Removed the following sections of information: <ul style="list-style-type: none"> Technical Specifications table for 6181 Standard model computers 6180P Integrated Display Computers with Keypad 6155R Compact Non-display Computers 	Various
Updated China RoHS table in Table 3.	6
Updated available storage drives row in Table 4.	7
Added footnote 4 in Tables 4 and 5.	7, 8
Updated available storage drives row in Table 5.	8
Updated China RoHS table in Table 9.	11
Updated RoHS row in Table 13.	14
Changed C-Tick to RCM in Tables 13, 18, and 22.	14, 18, 21
Updated certifications in Table 18.	18
Replaced three Windows OS versions from 64-bit row with a footnote in Table 25.	27
Removed check from RSView [®] 32 column for FactoryTalk [®] ViewPoint in Table 26.	27
Updated user manuals available for 6181P integrated display computers in Additional Resources table.	31

Overview

This document provides technical specifications, environmental specifications, certifications, and dimension drawings for the Allen-Bradley[®] portfolio of industrial computers and monitors from Rockwell Automation.

Use this document with the Visualization Solutions Selection Guide, publication [VIEW-SG001](#), to make initial decisions on the visualization products that are best suited for your system requirements.

Table 1 - Industrial Computers Comparison

Attribute	6181P Integrated Display Computer (NDM, 1200P, 1500P, 1700P, & 1900P)	6181X Computer for Hazardous Locations (1200XT)	6177R Non-display Computer (750R & 1450R)
Display	NDM: non-display option 1200P: 12.1 in. 1500P: 15 in. ⁽²⁾ 1700P: 17 in. 1900P: 19 in. ⁽²⁾	1200XT: non-display option 1200XT: 12.1 in.	Requires external monitor
Available touch screens	Performance: Resistive Advanced: PCAP ⁽²⁾	Resistive, sunlight readable	None
Keypad	None	None	None
Display bezel	Aluminum or stainless steel	Aluminum	None
Package options ⁽¹⁾	Performance or Advanced	Performance	Performance, Advanced, or Server
Available processors	Performance: Intel i3-4102E Advanced: Intel i7-4700EQ	Intel Core Duo U2500	Intel Core i3-2120 or Intel Core i5-2400
Primary storage media			
• Hard disk drive (HDD)			500 GB, 3.5-in. SATA ⁽⁶⁾
• Solid-state drive (SSD)	32 GB SLC, 2.5-in. SATA or 256 GB MLC, 2.5-in. SATA		
• CompactFlash		8 GB or 16 GB ⁽⁵⁾	
RAM memory type (GB installed/max)	Performance: DDR3 (4/16) Advanced: DDR3 (8/16)	DDR2 (2/4)	DDR3 (4 or 8/32)
Expansion slots	1 half-length PCI Express x8 ⁽³⁾	1 half-length PCI	<ul style="list-style-type: none"> • 1 or 4 PCI • 1 PCI Express x16 • 1 PCI Express x4 • 1 PCI Express x1
Available removable media	Model dependent: DVD-ROM/CD-RW drive or None	None	DVD-RW optical disc drive (ODD)
I/O connectors	Up to 16; see pages 7 and 8 .	9; see page 12 .	9; see page 15 .
Available Windows operating systems	<ul style="list-style-type: none"> • 7 Professional (64 bit) SP1 • Embedded Standard 2009 • Embedded Standard 7 (64 bit) SP1 • Server 2008 R2 (64 bit) SP1 	<ul style="list-style-type: none"> • XP Professional SP3 • 7 Professional (32 bit) SP1 	<ul style="list-style-type: none"> • XP Professional SP3 • 7 Professional(64 bit) SP1 • 8.1 Industry Pro (64 bit) • Server 2008 R2 (64 bit) SP1 • Server 2012 R2 (64 bit)
CompactFlash quantity	1 or 2 Type II	1 or 2 Type II	None
Power	AC or DC	DC	AC
Special requirements	Model dependent: 0...55 °C (32...131 °F) or 0...50 °C (32...122 °F)	<ul style="list-style-type: none"> • Rated to 70 °C (158 °F) for cULus hazardous, ATEX, and IECEx locations • Preferred monitor: 6186M hazardous location monitor 	0...50 °C (32...122 °F)
Mount options	<ul style="list-style-type: none"> • Panel mount (display models) • Wall (non-display models) • Table⁽⁴⁾ • Bookshelf⁽³⁾ • Machine⁽³⁾ 	<ul style="list-style-type: none"> • Panel mount (display models) • Wall (non-display models) 	750R: machine mount 1400R: 4U rack mount

(1) Package option determines processor type, amount of RAM, type of removable media, number of external connectors or I/O, and type of expansion slots.

(2) Some Advanced models are also available in widescreen formats (16:9 aspect ratio), which have projective capacitive (PCAP) touch screens.

(3) Upgradeable to 1 PCI, 2 PCI, 2 PCIe x4, or 1 PCIe x4 + 1 PCI with separate PCI riser kits.

(4) Applies only to series F NDM models. The bookshelf mount requires a bracket (cat. no. 6189V-BOOKBRKT), which is sold separately.

(5) 8 GB for computers with Windows XP Professional and 16 GB for computers with Windows 7 Professional.

(6) RAID 1 enabled server models ship with two 500 GB HDDs.

Integrated Display and Non-display Computers

6181P integrated display and non-display industrial computers serve as the foundation for visualization control with a variety of display sizes, models, and mounting methods. Display sizes are offered in both standard (4:3 and 5:4) format and widescreen (16:9) format. All 6181P computer models feature solid-state drives for performance in storage reliability. Various mounting methods are possible with these computers in landscape and portrait orientations, as well as a space-saving ‘bookshelf’ mounting option on non-display versions.

The complete Rockwell Automation advantage includes seamless integration with the full suite of Rockwell Software® solutions, including Integrated Architecture® and FactoryTalk® View software.



6181P Display Model



6181P Non-display Model

Table 2 - Environmental Specifications, 6181P Integrated Display and Non-display Computers

Attribute	Advanced	Performance
Temperature, operating		
• NDM (non-display)		0...55 °C (32...131 °F)
• 1200		0...55 °C (32...131 °F)
• 1500	0...55 °C (32...131 °F) 0...50 °C (32...122 °F) ⁽³⁾	0...55 °C (32...131 °F)
• 1700	0...55 °C (32...131 °F)	0...55 °C (32...131 °F)
• 1900	0...50 °C (32...122 °F)	0...50 °C (32...122 °F)
Temperature, nonoperating	-20...+60 °C (-4...+140 °F)	
Relative humidity	10...90% noncondensing at 50%	
Shock, operating ⁽¹⁾⁽²⁾	15 g (1/2 sine, 11 ms)	
Shock, nonoperating ⁽¹⁾⁽²⁾	30 g (1/2 sine, 11 ms)	
Vibration, operating ⁽¹⁾⁽²⁾	0.012 in. p-p, 10...57 Hz, 2 g peak, 57...640 Hz	
Vibration, nonoperating ⁽¹⁾⁽²⁾	0.018 in. p-p, 10...57 Hz, 3g peak (57...640 Hz)	
Altitude, operating	Sea level to 2,000 m (6,562 ft)	
Altitude, nonoperating	Sea level to 12,192 m (40,000 ft)	
Enclosure ratings		
• With aluminum bezels	UL50 Type 1, 12, and 4 (indoor use only); IEC 60529, IP66	• UL50 Type 1, 12, and 4 (indoor use only); IEC 60529, IP66
• With stainless steel bezels		• UL50 Type 1, 12, 4, and 4X (indoor use only); IEC 60529, IP66

(1) The optical disc drive is considered a maintenance device. Do not operate the drive in environments with the shock and vibration levels listed. Do not operate the drive in temperatures above 45 °C (113 °F).

(2) Does not apply to bookshelf-mounted non-display computers.

(3) This temperature range applies only to widescreen models.

Table 3 - Power Specifications, 6181P Integrated Display and Non-display Computers

Customer Loading	Attribute	All 6181P Performance Models					All 6181P Advanced Models					
		NDM	12 in.	15 in.	17 in.	19 in.	NDM	15 in. widescreen	15 in.	17 in.	19 in. widescreen	19 in.
Typical	Input power, (W)	29	35	36	48	56	40	48	47	58	52	66
	Heat dissipation, (BTU/hr.)	98	119	123	164	191	136	164	160	198	177	225
Maximum	Input power, (W)	113	120	122	136	144	140	148	147	158	151	167
	Heat dissipation, (BTU/hr.)	386	409	416	464	491	478	505	502	539	515	570

Attribute	All 6181P Models
AC models	
Input voltage	100...240V, autoranging
Input power	100...240V; 1.8...0.75 A 50/60 Hz; 180VA
DC models	
Input voltage	18...32V
Input power	18...32V; 10.0...5.63 A; 180 W SELV
Ratings, max	
USB 3.0 port	900 mA ⁽¹⁾
PCIe slot	12 W internal, 28 W external (40 W total)

(1) Per port. Maximum of two ports loaded at 900 mA and all other ports at 500 mA.

Table 4 - Certifications, 6181P Integrated Display and Non-display Computers

Certification ⁽¹⁾	Advanced and Performance Models																																																																					
cULus	UL/c-UL Listed per UL 60950-1 and CSA C22.2 60950-1 second edition																																																																					
CE	EMC 2004/108/EEC • Immunity standards: EN55024, EN61000-3-2, EN61000-3-3 • Emission standards: EN55022 Class A EN 60950-1 EU REACH: Regulation No. 1907/2006 of the European Parliament ⁽²⁾ Waste Electrical and Electronic Equipment (WEEE) 2002/96/EC Metric Directive 80/181/EEC EU Battery Directive 2006/66/EC Low Voltage Directive: LVD 2006/95/EC																																																																					
EAC (TR CU)	Low Voltage TR CU 004/2011 EMC TR CU 020/2011																																																																					
FCC	Class A emissions																																																																					
Korea	Korean Certification of Broadcasting and Communications Equipment, compliance with Article 58-2 of Radio Waves Act, Clause 2 Emissions standards: Class A 이 기기는 업무용 (A 급) 전자파적합기기로서 판매자 또는 사용자는 이 점을 주의 하시기 바라며, 가정 외의 지역에서 사용하는 것을 목적으로 합니다.																																																																					
RCM (formerly C-Tick)	Emission standards: AS/NZS CISPR 22 Class A																																																																					
RoHS	<p>European RoHS 2011/65/EU China RoHS:</p> <table border="1"> <thead> <tr> <th rowspan="2">部件名称 Part Name</th> <th colspan="6">有毒有害物质或元素 Toxic or Hazardous Substances and Elements</th> </tr> <tr> <th>铅 Lead (Pb)</th> <th>汞 Mercury (Hg)</th> <th>镉 Cadmium (Cd)</th> <th>六价铬 Hexavalent Chromium (Cr(VI))</th> <th>多溴联苯 Polybrominated Biphenyls (PBB)</th> <th>多溴二苯醚 Polybrominated Diphenyl Ethers (PBDE)</th> </tr> </thead> <tbody> <tr> <td>壳体 Housing</td> <td>X</td> <td>0</td> <td>0</td> <td>0</td> <td>0</td> <td>0</td> </tr> <tr> <td>显示 Display</td> <td>X</td> <td>0</td> <td>0</td> <td>0</td> <td>0</td> <td>0</td> </tr> <tr> <td>印刷电路板 Printed Circuit Board</td> <td>X</td> <td>0</td> <td>0</td> <td>0</td> <td>0</td> <td>0</td> </tr> <tr> <td>金属螺帽 Metal Fasteners</td> <td>X</td> <td>0</td> <td>0</td> <td>0</td> <td>0</td> <td>0</td> </tr> <tr> <td>电缆组装 Cable Assembly</td> <td>X</td> <td>0</td> <td>0</td> <td>0</td> <td>0</td> <td>0</td> </tr> <tr> <td>风扇组装 Fan Assembly</td> <td>X</td> <td>0</td> <td>0</td> <td>0</td> <td>0</td> <td>0</td> </tr> <tr> <td>电力供应组装 Power Supply Assemblies</td> <td>X</td> <td>0</td> <td>0</td> <td>0</td> <td>0</td> <td>0</td> </tr> <tr> <td>电池 Battery</td> <td>0</td> <td>0</td> <td>0</td> <td>0</td> <td>0</td> <td>0</td> </tr> </tbody> </table> <p>本表格依据SJ/T11364 的规定编制。 This table is made per guidance of SJ/T 11364.</p> <p>0: 表示该有害物质在该部件所有均质材料中的含量均在GB/T26572 规定的限量要求以下。 0: Indicates that this toxic or hazardous substance contained in all of the homogeneous materials for the part is below the limit requirement in GB/T 26572.</p> <p>X: 表示该有害物质至少在该部件的某一均质材料中的含量超出GB/T26572 规定的限量要求。 求。(企业可在此处,根据实际情况对上表中打“×”的技术原因进行进一步说明。) X: Indicates that this toxic or hazardous substance contained in at least one of the homogeneous materials for the part is below the limit requirement in GB/T 26572.</p> <p>Turkey RoHS (EEE Yönetmeliğine Uygundur. In Conformity with the EEE Regulation)</p>	部件名称 Part Name	有毒有害物质或元素 Toxic or Hazardous Substances and Elements						铅 Lead (Pb)	汞 Mercury (Hg)	镉 Cadmium (Cd)	六价铬 Hexavalent Chromium (Cr(VI))	多溴联苯 Polybrominated Biphenyls (PBB)	多溴二苯醚 Polybrominated Diphenyl Ethers (PBDE)	壳体 Housing	X	0	0	0	0	0	显示 Display	X	0	0	0	0	0	印刷电路板 Printed Circuit Board	X	0	0	0	0	0	金属螺帽 Metal Fasteners	X	0	0	0	0	0	电缆组装 Cable Assembly	X	0	0	0	0	0	风扇组装 Fan Assembly	X	0	0	0	0	0	电力供应组装 Power Supply Assemblies	X	0	0	0	0	0	电池 Battery	0	0	0	0	0	0
部件名称 Part Name	有毒有害物质或元素 Toxic or Hazardous Substances and Elements																																																																					
	铅 Lead (Pb)	汞 Mercury (Hg)	镉 Cadmium (Cd)	六价铬 Hexavalent Chromium (Cr(VI))	多溴联苯 Polybrominated Biphenyls (PBB)	多溴二苯醚 Polybrominated Diphenyl Ethers (PBDE)																																																																
壳体 Housing	X	0	0	0	0	0																																																																
显示 Display	X	0	0	0	0	0																																																																
印刷电路板 Printed Circuit Board	X	0	0	0	0	0																																																																
金属螺帽 Metal Fasteners	X	0	0	0	0	0																																																																
电缆组装 Cable Assembly	X	0	0	0	0	0																																																																
风扇组装 Fan Assembly	X	0	0	0	0	0																																																																
电力供应组装 Power Supply Assemblies	X	0	0	0	0	0																																																																
电池 Battery	0	0	0	0	0	0																																																																

(1) When marked; see <http://www.rockwellautomation.com/certification> for declarations of conformity, certificates, and other certification details.
 (2) For current product-environmental information, see <http://www.rockwellautomation.com/rockwellautomation/about-us/sustainability-ethics/product-environmental-compliance.page>.

Table 5 - Technical Specifications - 6181P Integrated Display and Non-display Computer NDM, 1200P, and 1500P Models

Attribute	NDM (non-display)	1200P		1500P	
		Performance		Performance	Advanced
Display type	—	Color active-matrix TFT flat panel			
Display size, diagonal	—	12 in. (307 mm)	15 in. (381 mm)	<ul style="list-style-type: none"> 15 in. (381 mm) 15.6 in. (396 mm) 	
Display aspect ratio	—	4:3	<ul style="list-style-type: none"> 4:3 16:9 		
Display resolution (max)	—	XGA 1024 x 768	<ul style="list-style-type: none"> XGA 1024 x 768 WXGA 1366 x 768 		
Touch screen	—	Resistive anti-glare		PCAP	
Response time	—	15 ms			
Bezel	—	Aluminum	<ul style="list-style-type: none"> Aluminum Stainless steel 		Aluminum
Available processors	<ul style="list-style-type: none"> Intel i3-4102E; 2 cores; 1.6 GHz Intel i7-4700EQ; 4 cores; 2.4 GHz 	Intel i3-4102E; 2 cores; 1.6 GHz		Intel i7-4700EQ; 4 cores; 2.4 GHz	
RAM	<ul style="list-style-type: none"> Type Supplied Maximum 	<ul style="list-style-type: none"> DDR3-1600 204-pin SO-DIMM 4 GB (2 x 2 GB) or 8 GB (2 x 4 GB) 16 GB (2 x 8 GB)⁽¹⁾ 	<ul style="list-style-type: none"> DDR3-1600 204-pin SO-DIMM 4 GB (2 x 2 GB) 16 GB (2 x 8 GB)⁽¹⁾ 	<ul style="list-style-type: none"> DDR3-1600 204-pin SO-DIMM 8 GB (2 x 4 GB) 16 GB (2 x 8 GB)⁽¹⁾ 	
Available storage drives	<ul style="list-style-type: none"> 1 x 256 GB, 2.5-in. SATA MLC SSD 2 x 256 GB, 2.5-in. SATA MLC SSD (RAID 1) 1 x 32 GB, 2.5-in. SATA SLC SSD 1 x 64 GB, 2.5-in. SATA SLC SSD⁽²⁾ 	<ul style="list-style-type: none"> 1 x 256 GB, 2.5-in. SATA MLC SSD 1 x 32 GB, 2.5-in. SATA SLC SSD 1 x 64 GB, 2.5-in. SATA SLC SSD⁽²⁾ 			
Expansion slots	1 PCI Express x8 ⁽³⁾				
Available optical storage drive (ODD)	<ul style="list-style-type: none"> None supplied⁽⁴⁾ 1 DVD-RW/CD-RW 	None supplied ⁽⁴⁾		1 DVD-RW/CD-RW	
CompactFlash Type II	Type II slot with cover				
I/O connections	<ul style="list-style-type: none"> 1 PS/2 keyboard port 1 PS/2 mouse port 2 serial RS-232 COM ports 	<ul style="list-style-type: none"> 4 or 5 USB 3.0 external ports⁽⁵⁾ 2 Ethernet LAN ports, 1 Gb each DVI-I port 	<ul style="list-style-type: none"> DisplayPort 3 jacks: audio line-in, audio line-out, and microphone-in 		
Available operating systems ⁽⁶⁾⁽⁷⁾	<ul style="list-style-type: none"> Windows 7 Pro (64 bit) SP1 Windows Server 2008 R2 Standard (64 bit) SP1 WES 7 (64 bit) SP1 	<ul style="list-style-type: none"> Windows 7 Professional (64 bit) SP1 WES 7 (64 bit) SP1 		Windows 7 Professional (64 bit) SP1	
Weight, approx	7.5 kg (16.5 lb)	8.5 kg (18.7 lb)	9.9 kg (21.8 lb)	9.9 kg (21.8 lb)	
<ul style="list-style-type: none"> Aluminum bezel Stainless steel bezel Widescreen 	—	—	11.1 kg (24.5 lb)	10.8 kg (23.8 lb)	
Dimensions (HxWxD), approx	See Table 7 on page 9				
<ul style="list-style-type: none"> Performance/Advanced Advanced (widescreen) 	See Table 7 on page 9				
Cutout dimensions (HxW)	—		254 x 324 mm (10 x 12.76 in.)	285.6 x 386.6 mm (11.24 x 15.22 in.)	—
<ul style="list-style-type: none"> Performance/Advanced Advanced (widescreen) 	—		—	<ul style="list-style-type: none"> 285.6 x 386.6 mm (11.24 x 15.22 in.) 260.2 x 420 mm (10.24 x 16.54 in.) 	
Mount options	<ul style="list-style-type: none"> Wall Bookshelf⁽⁸⁾ Table top 	Panel			

(1) Maximum memory shipped with computers is 8 GB. 16 GB is available through a kit (catalog number 6189V-16GSODDR3), which is sold separately.

(2) Available through a kit (catalog number 6189V-61815SD64GB), which is sold separately.

(3) Available one-slot riser kit (catalog number 6189V-PCIR) supports 1 PCI, and two-slot kit (catalog number 6189V-EXTPCI2) supports 2 PCI, 2 PCIe x4, or 1 PCIe x4 plus 1 PCI, all which are half-length.

(4) Performance models are not sold with an optical disk drive (ODD) but one can be installed. You must order a kit (catalog number 6189V-ODD), which is sold separately.

(5) All display models have four external USB 3.0 ports and one internal USB 3.0 port. Display models with an aluminum bezel have an extra external USB 3.0 port on the bezel (behind the front access cover).

(6) 6181P computers do not ship with the Windows XP Professional operating system but Windows XP system images are available. For more information, contact Rockwell Automation Technical Support (see back page).

(7) 32 bit images for the Windows 7 operating system are available from the Rockwell Automation Product Compatibility and Download Center: <http://www.rockwellautomation.com/support/pdcd.page>.

(8) A bookshelf mounting kit (catalog number 6189V-BOOKBRKT) is required and must be ordered separately.

Table 6 - Technical Specifications - 6181P Integrated Display Computer 1700P and 1900P Models

Attribute	1700P		1900P	
	Performance	Advanced	Performance	Advanced
Display type	Color active-matrix TFT flat panel			
Display size, diagonal	17 in. (432 mm)		19 in. (483 mm)	<ul style="list-style-type: none"> • 19 in. (483 mm) • 18.5 in. (470 mm)
Display aspect ratio	5:4		<ul style="list-style-type: none"> • 5:4 • 16:9 	
Display resolution (max)	SXGA 1280 x 1024		<ul style="list-style-type: none"> • SXGA 1280 x 1024 • WXGA 1366 x 768 	
Touch screen	Resistive anti-glare	PCAP	Resistive anti-glare	PCAP
Response time	15 ms			
Bezel	<ul style="list-style-type: none"> • Aluminum • Stainless steel 	Aluminum	<ul style="list-style-type: none"> • Aluminum • Stainless steel 	Aluminum
Available processors	Intel i3-4102E; 2 cores; 1.6 GHz	Intel i7-4700EQ; 4 cores; 2.4 GHz	Intel i3-4102E; 2 cores; 1.6 GHz	Intel i7-4700EQ; 4 cores; 2.4 GHz
RAM <ul style="list-style-type: none"> • Type • Supplied • Maximum 	<ul style="list-style-type: none"> • DDR3-1600 204-pin SO-DIMM • 4 GB (2 x 2 GB) • 16 GB (2 x 8 GB)⁽¹⁾ 	<ul style="list-style-type: none"> • DDR3-1600 204-pin SO-DIMM • 8 GB (2 x 4 GB) • 16 GB (2 x 8 GB)⁽¹⁾ 	<ul style="list-style-type: none"> • DDR3-1600 204-pin SO-DIMM • 4 GB (2 x 2 GB) • 16 GB (2 x 8 GB)⁽¹⁾ 	<ul style="list-style-type: none"> • DDR3-1600 204-pin SO-DIMM • 8 GB (2 x 4 GB) • 16 GB (2 x 8 GB)⁽¹⁾
Available storage drives	<ul style="list-style-type: none"> • 1 x 256 GB, 2.5-in. SATA MLC SSD • 1 x 32 GB, 2.5-in. SATA SLC SSD • 1 x 64 GB, 2.5-in. SATA SLC SSD⁽²⁾ 			
Expansion slots	1 PCI Express x8 ⁽³⁾			
Available optical storage drive (ODD)	None supplied ⁽⁴⁾	1 DVD-RW/CD-RW	None supplied ⁽⁴⁾	1 DVD-RW/CD-RW
CompactFlash Type II	Type II slot with cover			
I/O connections	<ul style="list-style-type: none"> • 1 PS/2 keyboard port • 1 PS/2 mouse port • 2 serial RS-232 COM ports 	<ul style="list-style-type: none"> • 4 or 5 USB 3.0 external ports⁽⁵⁾ • 2 Ethernet LAN ports, 1 Gb each • DVI-I port 	<ul style="list-style-type: none"> • DisplayPort • 3 jacks: audio line-in, audio line-out, and microphone-in 	
Available operating systems ⁽⁶⁾⁽⁷⁾	<ul style="list-style-type: none"> • Windows 7 Professional (64 bit) SP1 • WES 7 (64 bit) SP1 	Windows 7 Professional (64 bit) SP1	<ul style="list-style-type: none"> • Windows 7 Professional (64 bit) SP1 • WES 7 (64 bit) SP1 	Windows 7 Professional (64 bit) SP1
Weight, approx <ul style="list-style-type: none"> • Aluminum bezel • Stainless steel bezel • Widescreen 	<ul style="list-style-type: none"> 11.1 kg (24.5 lb) 12.8 kg (28.2 lb) — 	<ul style="list-style-type: none"> 11.1 kg (24.5 lb) — — 	<ul style="list-style-type: none"> 13.2 kg (29.1 lb) 14.5 kg (32 lb) — 	<ul style="list-style-type: none"> 13.2 kg (29.1 lb) — 13 kg (28.7 lb)
Dimensions (HxWxD), approx <ul style="list-style-type: none"> • Performance/Advanced • Advanced (widescreen) 	See Table 7 on page 9 See Table 7 on page 9			
Cutout dimensions (HxW) <ul style="list-style-type: none"> • Performance/Advanced • Advanced (widescreen) 	329.5 x 424.0 mm (12.97 x 16.69 in.) —		363.5 x 449.6 mm (14.31 x 17.7 in.) —	<ul style="list-style-type: none"> • 363.5 x 449.6 mm (14.31 x 17.7 in.) • 321 x 493 mm (12.64 x 19.41 in.)
Mount options	Panel			

(1) Maximum memory shipped with computers is 8 GB. 16 GB is available through a kit (catalog number 6189V-16GS0DDR3), which is sold separately.
(2) Available through a kit (catalog number 6189V-6181SSD64GB), which is sold separately.
(3) Available one-slot riser kit (catalog number 6189V-PCIR) supports 1 PCI, and two-slot kit (catalog number 6189V-EXTPCI2) supports 2 PCI, 2 PCIe x4, or 1 PCIe x4 plus 1 PCI, all which are half-length.
(4) Performance models are not sold with an optical disk drive (ODD) but one can be installed. You must order a kit (catalog number 6189V-ODD), which is sold separately.
(5) All display models have four external USB 3.0 ports and one internal USB 3.0 port. Display models with an aluminum bezel have an extra external USB 3.0 port on the bezel (behind the front access cover).
(6) 6181P computers do not ship with the Windows XP Professional operating system but Windows XP system images are available. For more information, contact Rockwell Automation Technical Support (see back page).
(7) 32 bit images for the Windows 7 operating system are available from the Rockwell Automation Product Compatibility and Download Center: <http://www.rockwellautomation.com/support/pcdc.page>.

Figure 1 - 6181P Integrated Display and Non-display Computers

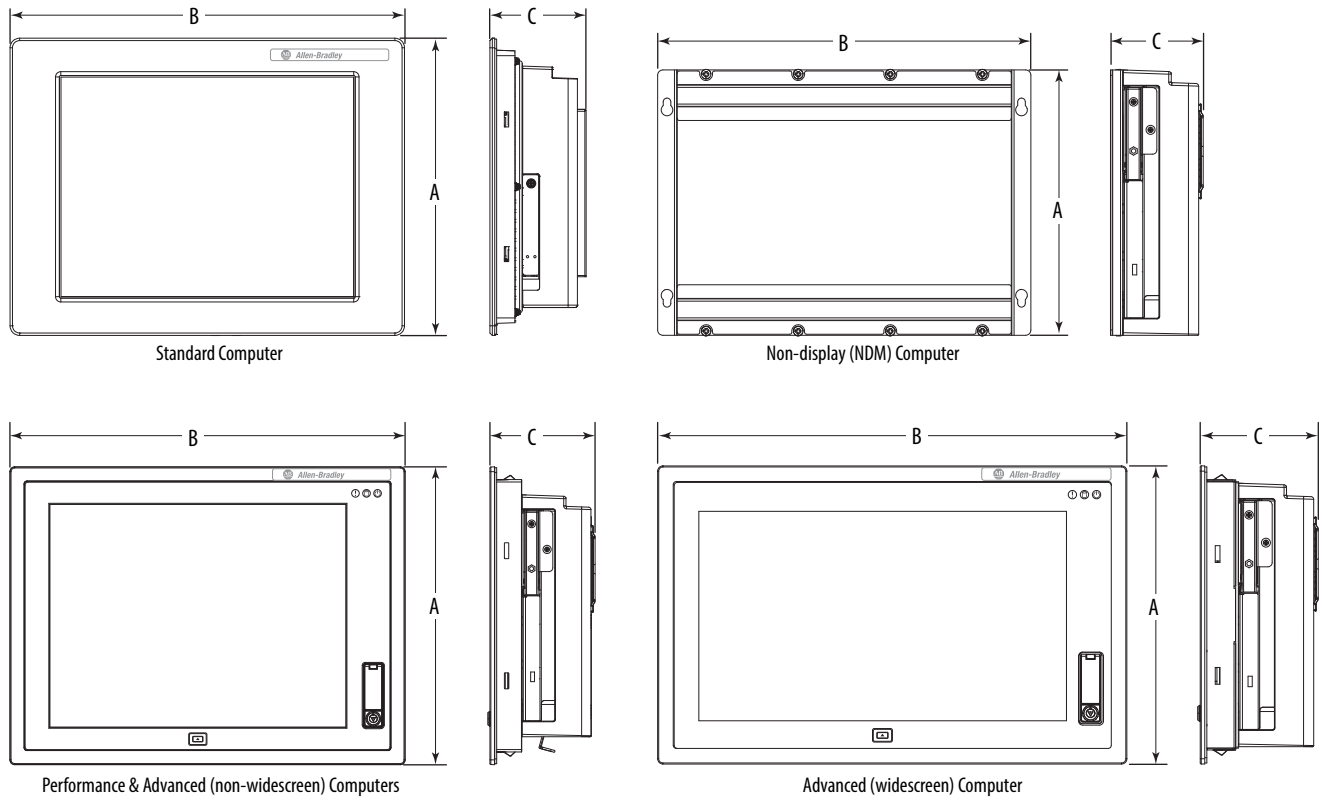


Table 7 - Dimensions, 6181P Integrated Display and Non-display Computers

6181P Integrated Display and Non-display Computers	Overall Height A	Overall Width B	Overall Depth C	Cutout Height	Cutout Width
Non-display (NDM)					
Performance	251 mm (9.88 in.)	353 mm (13.90 in.)	83.4 mm (3.28 in.)	—	—
Advanced			87.7 mm (3.45 in.)		
1200P					
Performance (aluminum bezel)	279 mm (10.98 in.)	349 mm (13.74 in.)	104.8 mm (4.13 in.)	254 mm (10 in.)	324 mm (12.76 in.)
1500P					
Performance (aluminum bezel)	309 mm (12.16 in.)	410 mm (16.14 in.)	104.8 mm (4.13 in.)	285.6 mm (11.24 in.)	386.6 mm (15.22 in.)
Performance (stainless steel bezel)			104.1 mm (4.10 in.)		
Advanced (standard 4:3 display)			104.8 mm (4.13 in.)		
Advanced (widescreen 16:9 display)	284 mm (11.18 in.)	447 mm (17.6 in.)	108.1 mm (4.26 in.)	260.2 mm (10.24 in.)	420 mm (16.54 in.)
1700P					
Performance (aluminum bezel)	356 mm (14.01 in.)	452 mm (17.80 in.)	104.8 mm (4.13 in.)	329.5 mm (12.97 in.)	424 mm (16.69 in.)
Performance (stainless steel bezel)			104.1 mm (4.10 in.)		
Advanced (standard 5:4 display)			104.8 mm (4.13 in.)		
1900P					
Performance (aluminum bezel)	399.3 mm (15.72 in.)	482.6 mm (19 in.)	108.1 mm (3.94 in.)	363.5 mm (14.31 in.)	449.6 mm (17.7 in.)
Performance (stainless steel bezel)					
Advanced (standard 5:4 display)					
Advanced (widescreen 16:9 display)				339.3 mm (13.36 in.)	515.6 mm (20.3 in.)

NOTE: All Advanced display computer models are available only with aluminum bezels.

Hazardous Location Computers

With Class I Division 2, ATEX, and IECEx hazardous location certifications, this extreme environment computer can be safely used globally in areas where explosive materials can be present. The display version of this computer mounts in a panel while the non-display version mounts on a wall. Both computers can withstand temperatures of -20...+70 °C (-4...+158 °F) inside a cabinet or enclosure. The front of the display computer can withstand ambient temperatures in the range -20...+55 °C (-4...+131 °F).

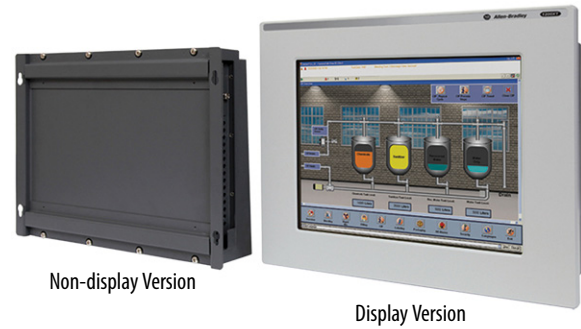


Table 8 - Environmental Specifications, 6181X Hazardous Location Computers

Attribute	1200XT Non-display, 1200XT Display (12 in.)
Temperature, operating 6181X-NPXPDC, non-display 6181X-12TPXPDC, display	-20...+70 °C (-4...+158 °F) -20...+55 °C (-4...+131 °F), display side -20...+70 °C (-4...+158 °F), back side
Temperature, nonoperating	-30...+80 °C (-22...+176 °F)
Relative humidity	10...90% noncondensing
Altitude, operating	2,000 m (6,561 ft)
Altitude, nonoperating	12,000 m (40,000 ft)
Vibration, operating	0.012 in. p-p 10...57 Hz 2 g peak at 57...640 Hz
Shock, operating	15 g (1/2 sine, 11 ms)
Shock, nonoperating	30 g (1/2 sine, 11 ms)
Enclosure ratings (display models)	UL NEMA Type 4X and 12 IP66 as classified by UL

Table 9 - Hazardous Location Ratings by Region

Computer Model	Cat. Nos.	Region	Rating	Temperature Range
Non-display	6181X-NPXPDC, 6181X-NPW7DC	United States	Class I Division 2, Groups A, B, C, D T4	-20 °C ≤ T _a ≤ +70 °C ⁽¹⁾ (-4 °F ≤ T _a ≤ +158 °F)
			Class I Zone 2, IIC, T4	
		Canada	Class I Division 2, Groups A, B, C, D T4	
			Class I Zone 2, IIC, T4	
Europe	ATEX II 3 GD, Ex nA IIC Gc, Ex tc IIIC Dc			
Global/IECEx	II 3 GD, Ex nA IIC Gc, Ex tc IIIC Dc			
Display (12 in.)	6181X-12TPXPDC, 6181X-12TPW7DC	United States	Class I Division 2, Groups A, B, C, D T4	-20 °C ≤ T _a ≤ +55 °C (-4 °F ≤ T _a ≤ +131 °F) (display side) -20 °C < T _a < +70 °C (-4 °F < T _a < +158 °F) (backside) ⁽¹⁾
			Class I Zone 2, IIC, T4	
		Canada	Class I Division 2, Groups A, B, C, D T4	
		Class I Zone 2, IIC, T4		
Europe	ATEX II 3 GD, Ex nA nC IIC T4 Gc, Ex tc IIIC T135 °C Dc			
Global/IECEx	II 3 GD, Ex nA nC IIC T4 Gc, Ex tc IIIC T135 °C Dc			

(1) The entire non-display computer and the backside of the display computer are required to be mounted in a restricted access location.

Table 10 - Certifications, 6181X Hazardous Location Computers

Attribute ⁽¹⁾	1200XT Non-display, 1200XT Display																																																																					
cULus	UL/c-UL Listed as Information Technology Equipment for use in Hazardous Locations per standards ANSI/ISA 12.12.01, CSA C22.2 No. 213 Enclosure Type ratings per UL50 and CSA C22.2 No. 94.2-07 Enclosure ingress protection Classified by UL per IEC 60529																																																																					
IECEX	IEC60079-0 2011 IEC60079-15 2010 IEC60079-31 2013 IECEX DNV 14.0011X (for display computers) IECEX DNV 14.0012U (for non-display computers)																																																																					
ATEX	EN60079-0 2012 EN60079-15 2010 EN60079-31 2014 DNV 11 ATEX 94276X (for display computers) DNV 11 ATEX 94276U (for non-display computers)																																																																					
CE	EMC 2004/108/EEC • Immunity standards: EN55024 • Emission standards: EN55022 Class A ATEX 94/9/EC Waste Electrical and Electronic Equipment (WEEE) 2002/96/EC Metric Directive 80/181-EEC EU Battery Directive 2006/66/EC Low Voltage Directive: LVD 2006/95/EC • EN 60950-1																																																																					
FCC	Class A emissions																																																																					
RoHS	<p>European RoHS 2011/65/EU China RoHS:</p> <table border="1"> <thead> <tr> <th rowspan="2">部件名称 Part Name</th> <th colspan="6">有毒有害物质或元素 Toxic or Hazardous Substances and Elements</th> </tr> <tr> <th>铅 Lead (Pb)</th> <th>汞 Mercury (Hg)</th> <th>镉 Cadmium (Cd)</th> <th>六价铬 Hexavalent Chromium (Cr(VI))</th> <th>多溴联苯 Polybrominated Biphenyls (PBB)</th> <th>多溴二苯醚 Polybrominated Diphenyl Ethers (PBDE)</th> </tr> </thead> <tbody> <tr> <td>壳体 Housing</td> <td>X</td> <td>0</td> <td>0</td> <td>0</td> <td>0</td> <td>0</td> </tr> <tr> <td>显示 Display</td> <td>X</td> <td>0</td> <td>0</td> <td>0</td> <td>0</td> <td>0</td> </tr> <tr> <td>印刷电路板 Printed Circuit Board</td> <td>X</td> <td>0</td> <td>0</td> <td>0</td> <td>0</td> <td>0</td> </tr> <tr> <td>金属螺帽 Metal Fasteners</td> <td>X</td> <td>0</td> <td>0</td> <td>0</td> <td>0</td> <td>0</td> </tr> <tr> <td>电缆组装 Cable Assembly</td> <td>X</td> <td>0</td> <td>0</td> <td>0</td> <td>0</td> <td>0</td> </tr> <tr> <td>风扇组装 Fan Assembly</td> <td>X</td> <td>0</td> <td>0</td> <td>0</td> <td>0</td> <td>0</td> </tr> <tr> <td>电力供应组装 Power Supply Assemblies</td> <td>X</td> <td>0</td> <td>0</td> <td>0</td> <td>0</td> <td>0</td> </tr> <tr> <td>电池 Battery</td> <td>0</td> <td>0</td> <td>0</td> <td>0</td> <td>0</td> <td>0</td> </tr> </tbody> </table> <p>本表格依据SJ/T11364 的规定编制。 This table is made per guidance of SJ/T 11364.</p> <p>0: 表示该有害物质在该部件所有均质材料中的含量均在GB/T26572 规定的限量要求以下。 0: Indicates that this toxic or hazardous substance contained in all of the homogeneous materials for the part is below the limit requirement in GB/T 26572.</p> <p>X: 表示该有害物质至少在该部件的某一均质材料中的含量超出GB/T26572 规定的限量要求。 求。(企业可在此处, 根据实际情况对上表中打“×”的技术原因进行进一步说明。) X: Indicates that this toxic or hazardous substance contained in at least one of the homogeneous materials for the part is below the limit requirement in GB/T 26572.</p> <p>Turkey RoHS (EEE Yönetmeliğine Uygundur. In Conformity with the EEE Regulation)</p>	部件名称 Part Name	有毒有害物质或元素 Toxic or Hazardous Substances and Elements						铅 Lead (Pb)	汞 Mercury (Hg)	镉 Cadmium (Cd)	六价铬 Hexavalent Chromium (Cr(VI))	多溴联苯 Polybrominated Biphenyls (PBB)	多溴二苯醚 Polybrominated Diphenyl Ethers (PBDE)	壳体 Housing	X	0	0	0	0	0	显示 Display	X	0	0	0	0	0	印刷电路板 Printed Circuit Board	X	0	0	0	0	0	金属螺帽 Metal Fasteners	X	0	0	0	0	0	电缆组装 Cable Assembly	X	0	0	0	0	0	风扇组装 Fan Assembly	X	0	0	0	0	0	电力供应组装 Power Supply Assemblies	X	0	0	0	0	0	电池 Battery	0	0	0	0	0	0
部件名称 Part Name	有毒有害物质或元素 Toxic or Hazardous Substances and Elements																																																																					
	铅 Lead (Pb)	汞 Mercury (Hg)	镉 Cadmium (Cd)	六价铬 Hexavalent Chromium (Cr(VI))	多溴联苯 Polybrominated Biphenyls (PBB)	多溴二苯醚 Polybrominated Diphenyl Ethers (PBDE)																																																																
壳体 Housing	X	0	0	0	0	0																																																																
显示 Display	X	0	0	0	0	0																																																																
印刷电路板 Printed Circuit Board	X	0	0	0	0	0																																																																
金属螺帽 Metal Fasteners	X	0	0	0	0	0																																																																
电缆组装 Cable Assembly	X	0	0	0	0	0																																																																
风扇组装 Fan Assembly	X	0	0	0	0	0																																																																
电力供应组装 Power Supply Assemblies	X	0	0	0	0	0																																																																
电池 Battery	0	0	0	0	0	0																																																																
RCM (formerly C-Tick)	Australian Radiocommunications Act, compliance with AS/NZS CISPR 22																																																																					

(1) See <http://www.rockwellautomation.com/rockwellautomation/certification/overview.page> for declarations of conformity, certificates, and other certification details.

Table 11 - Technical Specifications, 6181X Hazardous Location Computers

Attribute	1200XT Non-display	1200XT Display
Display type	No display	Active matrix color TFT
Touch screen	—	Resistive anti-glare, sunlight readable
Display size, diagonal	—	308 mm (12.1 in.)
Display area (WxH)	—	246 x 185 mm (9.7 x 7.3 in.)
Resolution	—	800 x 600, 16.2M colors
Display brightness	—	600 cd/m ² , typical
Contrast ratio	—	1500:1, typical
View angle	—	178° typical
Status indicator backlight lifetime	—	50,000 hours max at 25 °C (77 °F)
Bezel	—	Aluminum
Processor	Intel Core Duo U2500, 1.2 GHz	
RAM	2 GB DDR2 installed (4 GB max)	
Expansion slots	1 half-length PCI	
CompactFlash Type II slot Computer side Computer bottom	2 bootable slots True IDE, OS drive installed ⁽¹⁾ Data drive (shipped empty)	
I/O connections	<ul style="list-style-type: none"> • 2 serial COM ports • 4 USB 2.0 ports, hot-swappable • 2 Ethernet LAN ports, 1 Gb each • 1 DVI-I port 	
Available operating systems	<ul style="list-style-type: none"> • Windows 7 Professional (32 bit), Service Pack 1 • Windows XP Professional, Service Pack 3 	
Input voltage, DC	18...32V DC	
Power consumption, DC (max)	18...32V DC (SELV), 2.46...1.34 A, 45 W	18...32V DC (SELV), 3.28...1.79 A, 60 W
Heat dissipation ⁽²⁾	45 W (154 BTU/h)	60 W (205 BTU/h)
Weight, approx	6.1 kg (13.45 lb)	8.4 kg (18.52 lb)
Dimensions (HxWxD), approx	251 x 353 x 83.4 mm 7.50 x 13.20 x 3.28 in.	279 x 349 x 101.2 mm 10.98 x 13.74 x 3.98 in.
Cutout dimensions (HxWxD)	—	254 x 324 mm 10 x 12.76 in.
Mount options	Wall	Panel

(1) For computers with Windows XP Professional, the CF card is 8 GB. For computers with Windows 7 Professional, the CF card is 16 GB.

(2) Add-in cards and peripherals are included in the heat dissipation value.

Figure 2 - 6181X Hazardous Location Computers

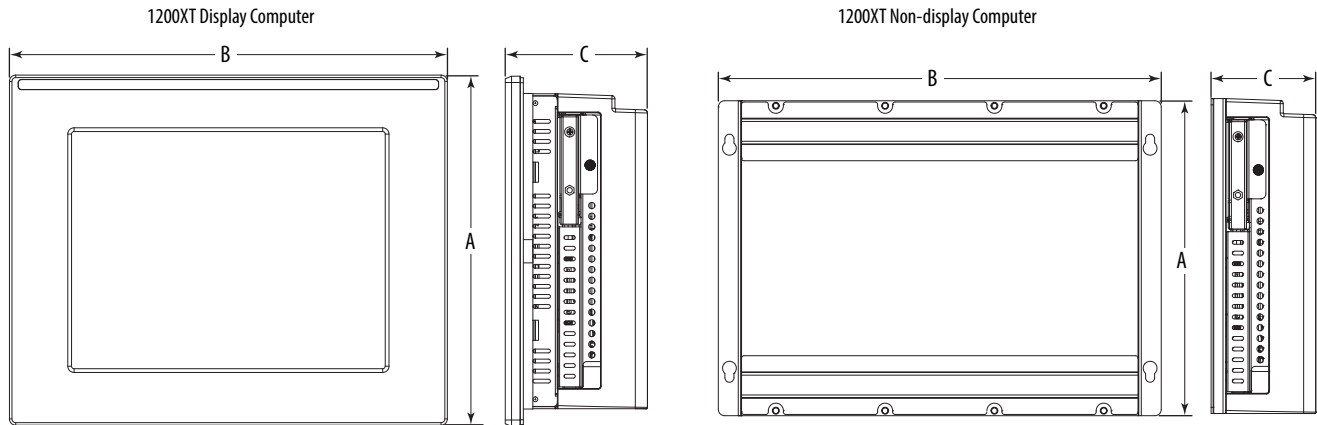


Table 12 - Dimensions - 6181X Hazardous Location Computers

6181X Hazardous Location Computer	Overall Height A	Overall Width B	Overall Depth C
1200XT display	279 mm (10.98 in.)	349 mm (13.74 in.)	101.2 mm (3.98 in.)
1200XT non-display	190 mm (7.5 in.)	335 mm (13.20 in.)	83.4 mm (3.28 in.)

Non-display Computers

The 6177R non-display computers take advantage of the Intel second-generation core processors to provide powerful platforms that are suited with excellent reliability for industrial environments. These computers are available in rugged machine-mount and rack-mount form factors and offer powerful remote management, onboard backup/restore, and integrated diagnostic capabilities.



Table 13 - Environmental Specifications, 6177R Non-display Computers

Attribute	750R, 1450R	
Temperature, operating	0...50 °C (32...122 °F)	
Temperature, nonoperating	-20...+60 °C (-4...+140 °F)	
Relative humidity	10...90% noncondensing	
Vibration, operating	0.006 in. p-p 10...57 Hz, 1 g peak at 57...640 Hz	
Vibration, nonoperating	0.012 in. p-p 10...57 Hz, 2 g peak at 57...640 Hz	
Shock, operating	15 g (1/2 sine, 11 ms)	
Shock, nonoperating	30 g (1/2 sine, 11 ms)	
Acoustic noise, idle	750R	44.3 dB at 50 cm
	1450R	46.6 dB at 50 cm
Acoustic noise, max	750R	63.4 dB at 50 cm
	1450R	64.4 dB at 50 cm

Table 14 - Certifications, 6177R Non-display Computers

Certification⁽¹⁾	750R, 1450R																																																																					
cULus	Safety: UL/c-UL Listed per UL 60950-1																																																																					
CE	Immunity standards: EN55024, EN6100-3-2, EN6100-3-3 Emission standards: EN55022 Class A Low Voltage Directive: LVD 2006/95/EC																																																																					
FCCR	Class A emissions																																																																					
KCC	Emissions standards: Class A 이 기기는 업무용(A급) 전자파적합기기로서 판매자 또는 사용자는 이 점을 주의하시기 바라며, 가정외의 지역에서 사용하는 것을 목적으로 합니다.																																																																					
RoHS	<p>European RoHS 2011/65/EU China RoHS:</p> <table border="1"> <thead> <tr> <th rowspan="2">部件名称 Part Name</th> <th colspan="6">有毒有害物质或元素 Toxic or Hazardous Substances and Elements</th> </tr> <tr> <th>铅 Lead (Pb)</th> <th>汞 Mercury (Hg)</th> <th>镉 Cadmium (Cd)</th> <th>六价铬 Hexavalent Chromium (Cr(VI))</th> <th>多溴联苯 Polybrominated Biphenyls (PBB)</th> <th>多溴二苯醚 Polybrominated Diphenyl Ethers (PBDE)</th> </tr> </thead> <tbody> <tr> <td>壳体 Housing</td> <td>X</td> <td>0</td> <td>0</td> <td>0</td> <td>0</td> <td>0</td> </tr> <tr> <td>显示 Display</td> <td>X</td> <td>0</td> <td>0</td> <td>0</td> <td>0</td> <td>0</td> </tr> <tr> <td>印刷电路板 Printed Circuit Board</td> <td>X</td> <td>0</td> <td>0</td> <td>0</td> <td>0</td> <td>0</td> </tr> <tr> <td>金属螺帽 Metal Fasteners</td> <td>X</td> <td>0</td> <td>0</td> <td>0</td> <td>0</td> <td>0</td> </tr> <tr> <td>电缆组装 Cable Assembly</td> <td>X</td> <td>0</td> <td>0</td> <td>0</td> <td>0</td> <td>0</td> </tr> <tr> <td>风扇组装 Fan Assembly</td> <td>X</td> <td>0</td> <td>0</td> <td>0</td> <td>0</td> <td>0</td> </tr> <tr> <td>电力供应组装 Power Supply Assemblies</td> <td>X</td> <td>0</td> <td>0</td> <td>0</td> <td>0</td> <td>0</td> </tr> <tr> <td>电池 Battery</td> <td>0</td> <td>0</td> <td>0</td> <td>0</td> <td>0</td> <td>0</td> </tr> </tbody> </table> <p>本表格依据SJ/T11364 的规定编制。 This table is made per guidance of SJ/T 11364.</p> <p>0: 表示该有害物质在该部件所有均质材料中的含量均在GB/T26572 规定的限量要求以下。 0: Indicates that this toxic or hazardous substance contained in all of the homogeneous materials for the part is below the limit requirement in GB/T 26572.</p> <p>X: 表示该有害物质至少在该部件的某一均质材料中的含量超出GB/T26572 规定的限量要求。 求。(企业可在此处, 根据实际情况对上表中打“X”的技术原因进行进一步说明。) X: Indicates that this toxic or hazardous substance contained in at least one of the homogeneous materials for the part is below the limit requirement in GB/T 26572.</p> <p>Turkey RoHS (EEE Yönetmeliğine Uygundur. In Conformity with the EEE Regulation)</p>	部件名称 Part Name	有毒有害物质或元素 Toxic or Hazardous Substances and Elements						铅 Lead (Pb)	汞 Mercury (Hg)	镉 Cadmium (Cd)	六价铬 Hexavalent Chromium (Cr(VI))	多溴联苯 Polybrominated Biphenyls (PBB)	多溴二苯醚 Polybrominated Diphenyl Ethers (PBDE)	壳体 Housing	X	0	0	0	0	0	显示 Display	X	0	0	0	0	0	印刷电路板 Printed Circuit Board	X	0	0	0	0	0	金属螺帽 Metal Fasteners	X	0	0	0	0	0	电缆组装 Cable Assembly	X	0	0	0	0	0	风扇组装 Fan Assembly	X	0	0	0	0	0	电力供应组装 Power Supply Assemblies	X	0	0	0	0	0	电池 Battery	0	0	0	0	0	0
部件名称 Part Name	有毒有害物质或元素 Toxic or Hazardous Substances and Elements																																																																					
	铅 Lead (Pb)	汞 Mercury (Hg)	镉 Cadmium (Cd)	六价铬 Hexavalent Chromium (Cr(VI))	多溴联苯 Polybrominated Biphenyls (PBB)	多溴二苯醚 Polybrominated Diphenyl Ethers (PBDE)																																																																
壳体 Housing	X	0	0	0	0	0																																																																
显示 Display	X	0	0	0	0	0																																																																
印刷电路板 Printed Circuit Board	X	0	0	0	0	0																																																																
金属螺帽 Metal Fasteners	X	0	0	0	0	0																																																																
电缆组装 Cable Assembly	X	0	0	0	0	0																																																																
风扇组装 Fan Assembly	X	0	0	0	0	0																																																																
电力供应组装 Power Supply Assemblies	X	0	0	0	0	0																																																																
电池 Battery	0	0	0	0	0	0																																																																
RCM (formerly C-Tick)	Emissions standards: AS/NZS CISPR 22 Class A																																																																					

(1) When marked. See the Product Certification link at <http://www.rockwellautomation.com/rockwellautomation/certification/overview.page> for declarations of conformity, certificates, and other certification details.

Table 15 - Technical Specifications, 6177R Non-display Computers

Attribute	750R	1450R
Display type	Requires external monitor	Requires external monitor
Available operating systems	Windows 7 Professional (64 bit) SP1, Windows XP Professional SP3, or no operating system	
Performance	Windows Embedded 8.1 Industry Professional or Windows 7 Professional (64 bit) SP1	
Advanced	Windows Server 2012 Standard R2, Windows Server 2008 R2 SP1, or no operating system	
Server		
Processor	Intel Core i3-2120, 3.3 GHz Intel Core i5-2400, 3.1 GHz Intel Core i5-2400, 3.1 GHz	Intel Core i3-2120, 3.3 GHz Intel Core i5-2400, 3.1 GHz Intel Core i5-2400, 3.1 GHz
Ethernet LAN	2 ports, 10/100/1000 Mbps	
RAM memory	4 GB DDR3, 32 GB max 8 GB DDR3, 32 GB max 8 GB DDR3, 32 GB max	4 GB DDR3, 32 GB max 8 GB DDR3, 32 GB max 8 GB DDR3, 32 GB max
Storage drive	(1) 500 GB, 3.5-in. SATA HDD (1) 500 GB, 3.5-in. SATA HDD (2) 500 GB, 3.5-in. SATA HDD	(1) 500 GB, 3.5-in. SATA HDD (1) 500 GB, 3.5-in. SATA HDD (2) 500 GB, 3.5-in. SATA HDD
RAID 1 enabled	No No Yes	No No Yes
RAID capabilities	RAID 0 or RAID 1 with second HDD installed and RAID array configured	
Optical disc drive (ODD)	DVD-RW	DVD-RW
Expansion slots	<ul style="list-style-type: none"> • 1 PCI (750R) or 4 PCI (1450R) • 1 PCI Express x16 • 1 PCI Express x4 • 1 PCI Express x1 	
I/O ports	<ul style="list-style-type: none"> • 1 PS/2 keyboard • 1 PS/2 mouse • 2 serial • 1 parallel • 2 Ethernet LAN ports, 1 Gb each • 7 USB 2.0 ports (4 rear, 2 front, 1 internal) • 2 USB 3.0 ports (1 rear, 1 front) • 1 eSATAp (5V, 500 mA) • 2 DVI (DVI-1, DVI-D) DVI-1 port converts to VGA with supplied adapter • Audio line in, audio line out and microphone 	
Input voltage, AC	100...240V, autoranging	
Line frequency	50...60 Hz	
Power consumption, AC	10 A at 100V rms, 5 A at 240V rms	
Input voltage, DC	—	—
Power consumption, DC	—	—
Weight, approx	13.8 kg (30.36 lb)	14.0 kg (30.80 lb)
Dimensions (HxWxD), approx	360 x 170 x 381 mm (14.17 x 6.69 x 15.01 in.)	176 x 431 x 465 mm (6.93 x 16.97 x 18.31 in.)
Mount options	Machine mount	4U rack mount

Figure 3 - 6177R Non-display Computers

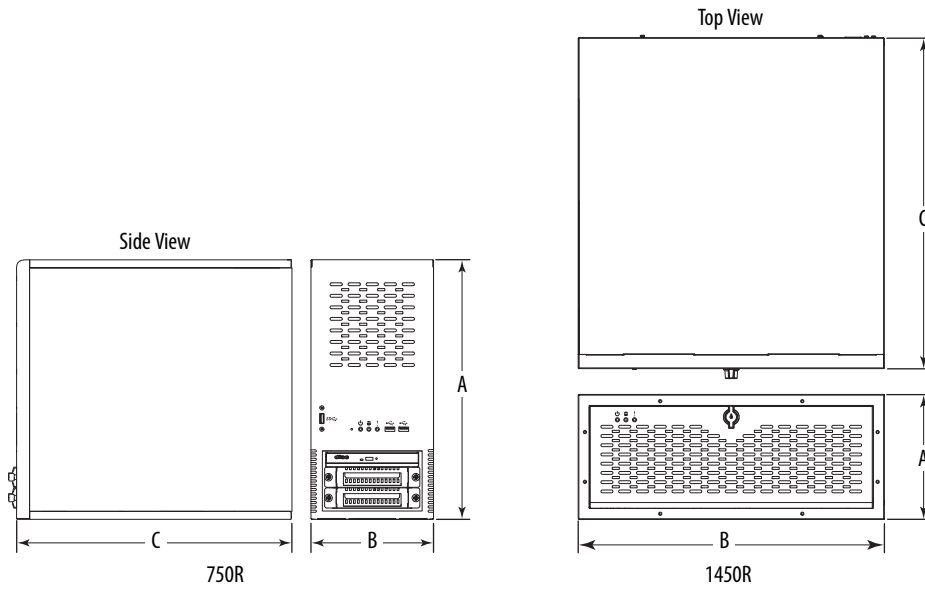


Table 16 - Dimensions, 6177R Non-display Computers

Computer Model	Overall Height A	Overall Width B	Overall Depth C
750R	360 mm (14.17 in.)	170 mm (6.69 in.)	381 mm (15.01 in.)
1400R	176 mm (6.93 in.)	431 mm (16.97 in.)	465 mm (18.31 in.)

Industrial Monitors

The Allen-Bradley LCD flat-panel industrial monitors are designed to operate in rugged industrial environments. With various mount configurations and interface options, the industrial monitors can meet the needs of visualization applications on the factory floor or in a control room.

Combine these monitors with any of the Allen-Bradley non-display computers to create a visualization, maintenance, control, or information-computing solution.

Table 17 - Industrial Monitors Comparison

Characteristic	Standard Monitors 6176M	Performance Monitors 6186M
Display	1550M: 15 in. color TFT 1750M: 17 in. color TFT 1950M: 19 in. color TFT	1200M: 12.1 in. color TFT 1500M: 15 in. color TFT 1700M: 17 in. color TFT 1900M: 19 in. color TFT
Available bezels	<ul style="list-style-type: none"> Aluminum Plastic 	<ul style="list-style-type: none"> Aluminum Stainless steel
Resolution	1550M: 1024 x 768, 16.7M colors 1750M/1950M: 1280 x 1024, 16.7M colors	1200M: 800 x 600, 256K colors 1500M: 1024 x 768, 16.7M colors 1700M/1900M: 1280 x 1024, 16.7M colors
Touch screen	Resistive antiglare RS-232 and USB inputs, model dependent	Resistive antiglare RS-232 and USB inputs, model dependent
Contrast ratio	1550M: 400:1 1750M/1950M: 800:1	1200M: 600:1 1500M: 400:1 1700M: 1000:1 1900M: 1300:1
Luminance	1550M: 350 cd/m ² (Nits) 1750M/1950M: 300 cd/m ² (Nits)	1500M/1700M: 450 cd/m ² (Nits) 1700M/1900M: 300 cd/m ² (Nits)
Video input signal	DVI and VGA (analog)	DVI and VGA (analog)
OS drivers, touch screen	<ul style="list-style-type: none"> Windows XP Pro⁽¹⁾ Windows Server 2003⁽¹⁾ Windows 7 Pro 32 bit⁽¹⁾ Windows 7 Pro 64 bit⁽²⁾ Windows Embedded 8.1 Industry Pro⁽²⁾ Windows Server 2008⁽²⁾ Windows Server 2012 Standard R2⁽²⁾ 	<ul style="list-style-type: none"> Windows XP Pro⁽³⁾ Windows Server 2003⁽³⁾ Windows 7 Pro 32 bit⁽³⁾ Windows 7 Pro 64 bit⁽⁴⁾ Windows Embedded 8.1 Industry Pro⁽⁴⁾ Windows Server 2008⁽⁴⁾ Windows Server 2012 Standard R2⁽⁴⁾
Power	AC or DC	AC or DC
Environmental conditions		
Temperature	0...45 °C (32...113 °F)	1200M/1500M: 0...55 °C (32...131 °F) 1700M/1900M: 0...50 °C (32...122 °F)
Shock (operating/nonoperating)	15 g/20 g	20 g/30 g
Vibration (operating/nonoperating)	1 g/2 g	2 g/2 g Rated Class 1 Division 2 for hazardous locations Preferred computer: 6181X hazardous location
Mount options	<ul style="list-style-type: none"> Panel VESA Bench/tabletop Rack (only 1900M) 	<ul style="list-style-type: none"> Panel Bench/tabletop Rack (only 1900M)

(1) For Series B or later monitors.

(2) For Series C or later monitors.

(3) For Series F or later monitors.

(4) For Series G or later monitors.



Aluminum Bezel Model



Stainless Steel Bezel Model

6186M Performance Monitors

The 6186M performance monitors are best suited for special purpose environments, such as Class 1 Division 2, and Food and Beverage areas, providing excellent protection against heat, shock, and vibration.

Table 18 - Environmental Specifications, 6186M Performance Monitors

Attribute	1200M, 1500M, 1700M, 1900M
Temperature, operating	
1200M, 1500M	0...55 °C (32...131 °F)
1700M, 1900M	0...50 °C (32...122 °F)
Temperature, nonoperating	-20...+60 °C (-4...+140 °F)
Relative humidity	10...90% noncondensing
Vibration, operating	2 g at 10...640 Hz
Vibration, nonoperating	2 g at 10...640 Hz
Shock, operating	20 g (1/2 sine, 11 ms)
Shock, nonoperating	30 g (1/2 sine, 11 ms)
Enclosure ratings ⁽¹⁾	NEMA / UL 50 Type 1, 4, 4X, 12, and IEC IP66

(1) Applies only to panel-mounted monitors.

Table 19 - Certifications, 6186M Performance Monitors

Certification ⁽¹⁾	1200M, 1500M, 1700M, 1900M
cULus	UL Listed Class I, Division 2, per ISA 12.12.01 (when marked on the nameplate) cUL Listed Class I, Division 2, per CSA No. 213 (when marked on the nameplate)
CE	Marked for all applicable directives RoHS compliant
RCM (formerly C-Tick)	Australian Radiocommunications Act, compliance with: AS/NZS 3548 (CISPR 22, EN55022)

(1) When marked. See the Product Certification link at <http://www.rockwellautomation.com/rockwellautomation/certification/overview.page> for declarations of conformity, certificates, and other certification details.

Table 20 - Technical Specifications, 6186M Performance Monitors

Attribute	1200M	1500M	1700M	1900M
Display type	Color active-matrix TFT LCD			
Display size, diagonal	12.1 in. (307 mm)	15 in. (381 mm)	17 in. (432 mm)	19 in. (483 mm)
Display area (WxH)	246 x 185 mm (9.7 x 7.3 in.)	305 x 229 mm (12 x 9 in.)	338 x 270 mm (13.3 x 10.6 in.)	377 x 302 mm (14.8 x 11.9 in.)
Resolution, native mode	800 x 600 262K colors	1024 x 768 16.2M colors	1280 x 1024 16.7M colors	
Luminance	450 cd/m ² Nits		300 cd/m ² Nits	
Contrast ratio	600:1, typical	400:1, typical	1000:1, typical	1300:1, typical
Response time (rise and fall), max	35 ms	16 ms	8 ms	
Status indicator backlight lifetime	50,000 hours at 25 °C (77 °F)			
Bezel	Aluminum	<ul style="list-style-type: none"> Aluminum Stainless steel 		
Touch screen option	Resistive antiglare (RS-232 and USB inputs), model dependent			
OS drivers, touch screen	<ul style="list-style-type: none"> Windows XP Pro⁽¹⁾ Windows Server 2003⁽¹⁾ Windows 7 Pro 32 bit⁽¹⁾ Windows 7 Pro 64 bit⁽²⁾ Windows Embedded 8.1 Industry Pro⁽²⁾ Windows Server 2008⁽²⁾ Windows Server 2012 Standard R2⁽²⁾ 			
USB hub	(2) rear USB 2.0 ports, 500 mA per port (1) front USB 2.0 port, 500 mA (only on aluminum bezel models)			
Video input signal	DVI and VGA			
Video input connectors	HD-15 VGA for analog video signal DVI for digital video signal			
OSD controls (on rear)	<ul style="list-style-type: none"> Automatic screen setup (OSD) Brightness Contrast Horizontal position Vertical position Image lock Color balance Sync detect 			
Input voltage, AC	100...240V AC autoranging, 47...63, requires power adapter			
Power consumption	34 W	34 W	55 W	57 W
Input voltage, DC	9...36V DC (24V DC nominal)			
Weight, approx	4.4 kg (9.75 lb)	<ul style="list-style-type: none"> Aluminum: 7.3 kg (16.0 lb) Stainless steel: 8.6 kg (19.0 lb) 	<ul style="list-style-type: none"> Aluminum: 8.6 kg (19.0 lb) Stainless steel: 10.1 kg (22.25 lb) 	<ul style="list-style-type: none"> Aluminum: 10.2 kg (22.5 lb) Stainless steel: 11.9 kg (26.25 lb)
Dimensions (HxWxD), approx	260 x 340 x 61 mm (10.24 x 13.39 x 2.40 in.)	309 x 410 x 61 mm (12.17 x 16.14 x 2.40 in.)	356 x 452 x 61 mm (14.02 x 17.80 x 2.40 in.)	399 x 483 x 64 mm (15.71 x 19.02 x 2.52 in.)
Cutout dimensions (HxWxD)	238 x 318 mm (9.37 x 12.51 in.)	285.6 x 386.6 mm (11.24 x 15.22 in.)	329.5 x 424 mm (12.97 x 16.69 in.)	363.5 x 449.6 mm (14.31 x 17.70 in.)
Mount options	<ul style="list-style-type: none"> Panel Bench/tabletop DIN-rail for AC power adapter 			<ul style="list-style-type: none"> Panel Bench/tabletop DIN-rail for AC power adapter

(1) For Series F or later monitors.

(2) For Series G or later monitors.

Figure 4 - 6186M Performance Monitors

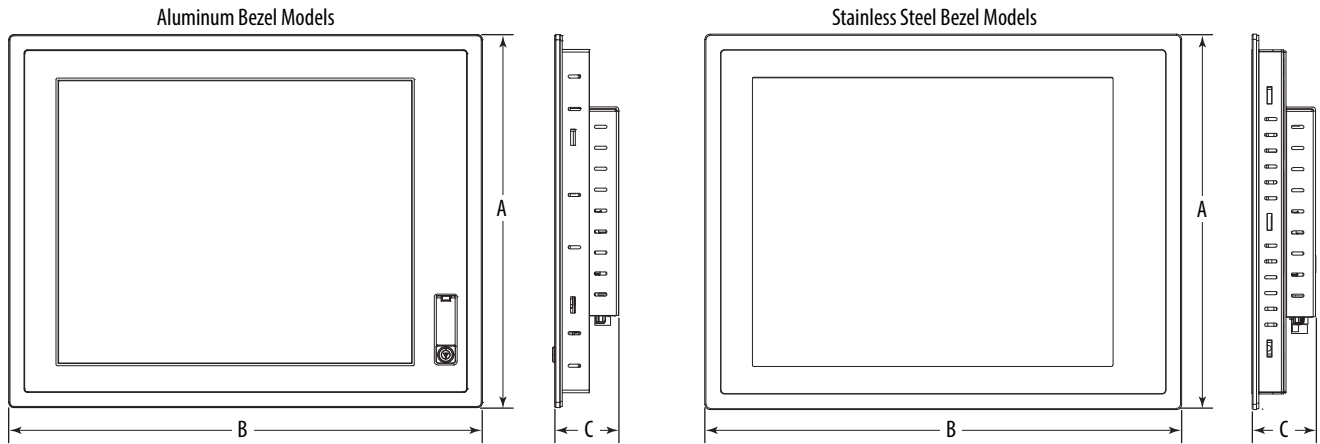
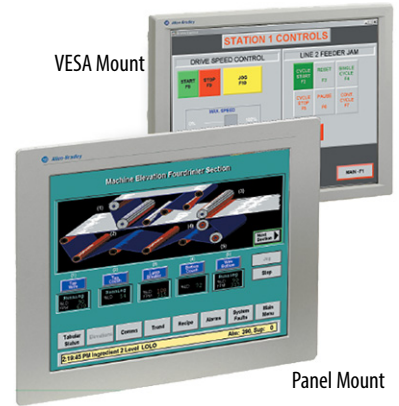


Table 21 - Dimensions, 6186M Performance Monitors

6186M Model	Height A	Width B	Depth C	Cutout Height	Cutout Width
1200M	260 mm (10.24 in.)	340 mm (13.39 in.)	61 mm (2.40 in.)	238 mm (9.37 in.)	318 mm (12.51 in.)
1500M	309 mm (12.17 in.)	410 mm (16.14 in.)		285.6 mm (11.24 in.)	386.6 mm (15.22 in.)
1700M	356 mm (14.02 in.)	452 mm (17.80 in.)		329.5 mm (12.97 in.)	424 mm (16.69 in.)
1900M	399 mm (15.71 in.)	483 mm (19.02 in.)	64 mm (2.52 in.)	363.5 mm (14.31 in.)	449.6 mm (17.70 in.)

6176M Standard Monitors

The 6176M standard monitors are designed for less demanding environments, still providing industrial ratings for temperature, shock, and vibration.



Panel Mount

Table 22 - Technical Specifications, 6176M Standard Monitors

Attribute	1550M, 1750M, 1950M
Temperature, operating	0...45 °C (32...113 °F)
Temperature, nonoperating	-20...+60 °C (-4...+140 °F)
Relative humidity	10...90% noncondensing
Vibration, operating	1 g at 53...640 Hz
Vibration, nonoperating	2 g at 53...640 Hz
Shock, operating	15 g (1/2 sine, 11 ms)
Shock, nonoperating	20 g (1/2 sine, 11 ms)
Enclosure ratings ⁽¹⁾	NEMA Type 4, 12, IEC IP66

(1) Applies only to panel-mounted monitors.

Table 23 - Certifications, 6176M Standard Monitors

Certification ⁽¹⁾	1550M, 1750M, 1950M
UL/c-UL	Listed
CE	Marked for all applicable directives
RoHS	China RoHS, European RoHS
RCM (formerly C-Tick)	Australian Radiocommunications Act, compliance with: AS/NZS 3548 (CISPR 22, EN55022)

(1) When marked. See the Product Certification link at <http://www.rockwellautomation.com/rockwellautomation/certification/overview.page> for declarations of conformity, certificates, and other certification details.

Table 24 - Technical Specifications, 6176M Standard Monitors

Attribute	1550M	1750M	1950M
Display type	Color active-matrix TFT LCD		
Display size, diagonal	15 in. (381 mm)	17 in. (432 mm)	19 in. (483 mm)
Display area (WxH)	305 x 229 mm (12.0 x 9.0 in.)	338 x 270 mm (13.3 x 10.7 in.)	377x 302 mm (14.8 x 11.9 in.)
Resolution	1024 x 768, 16.7M colors	1280 x 1024, 16.7M colors	
Luminance	350 cd/m ² Nits		
Contrast ratio, typical	400:1	800:1	
Response time, max	4 ms (fall) 12 ms (rise)	3 ms (fall) 6 ms (rise)	
Status indicator backlight lifetime	50,000 hours at 25 °C (77 °F)		
Available bezels	<ul style="list-style-type: none"> • Plastic (reinforced steel) • Aluminum alloy 		
Touch screen option	Resistive antiglare (RS-232 and USB inputs), model dependent		
Touch screen controller	Series A and B Series C Panjit eGalax_eMPIA Technology Inc (EETI)		
OS drivers, touch screen	Series A and B Series C <ul style="list-style-type: none"> • Windows XP Pro • Windows Server 2003 (32 bit) • Windows 7 Pro (32 bit) • Windows XP Pro • Windows Server 2003 (32 bit) • Windows 7 Pro (32 bit and 64 bit) • Windows Embedded 8.1 Industry Pro • Windows Server 2008 (64 bit) • Windows Server 2012 Standard R2 		
USB hub	(2) USB 2.0, 500 mA per port		
Video input signal	VGA and DVI (system auto-select)		
Video input connectors	HD-15 VGA for analog video signal DVI for digital video signal		
OSD controls	Rear controls: automatic screen setup (OSD), brightness, contrast, horizontal position, vertical position, image lock, color balance, sync detect		
Input voltage, AC	90...264V AC autoranging, 47...63		
Power consumption	2.0 A at 24 W	3 A at 36 W	3.5 A at 42 W
Input voltage, DC	12V DC, power adapter required		
Weight, approx	VESA mount Panel mount 3.1 kg (6.82 lb) 4.1 kg (9.02 lb)	4.6 kg (10.12 lb) 5.7 kg (12.54 lb)	6.0 kg (13.20 lb) 7.5 kg (16.50 lb)
Dimensions (HxWxD), approx	VESA mount Panel mount 282.6 x 383.6 x 50.0 mm (11.0 x 15.0 x 2.0 in.) 309 x 410 x 50 mm (12.2 x 16.1 x 2.0 in.)	326.5 x 421.0 x 53.0 mm (12.9 x 16.6 x 2.1 in.) 356 x 452 x 53 mm (14.0 x 17.8 x 2.1 in.)	357 x 444 x 58 mm (14.1 x 17.5 x 2.3 in.) 399.3 x 482.6 x 58.0 mm (15.7 x 19.0 x 2.3 in.)
Dimensions cutout (HxW), approx	Panel mount 285.6 x 386.6 mm (11.24 x 15.22 in.)		329.5 x 424.0 mm (12.97 x 16.69 in.)
Mount options	<ul style="list-style-type: none"> • VESA • Panel • Bench/tabletop 	<ul style="list-style-type: none"> • VESA • Panel • Bench/tabletop 	<ul style="list-style-type: none"> • VESA • Panel • Rack⁽¹⁾ • Bench/tabletop

(1) Installs in a standard 19-in. rack.

Figure 5 - 6176M Standard Monitors

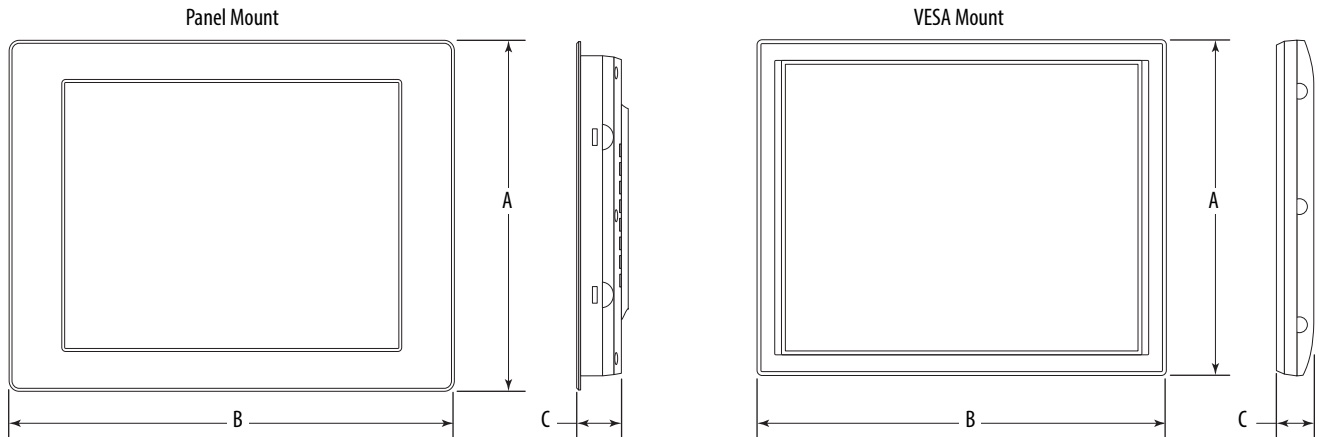


Table 25 - Dimensions, 6176M Standard Industrial Monitors

6176M Model	Height A	Width B	Depth C	Cutout Height	Cutout Width
1550M					
Panel mount	309 mm (12.3 in.)	410 mm (16.1 in.)	50 mm (2.0 in.)	285.6 mm (11.24 in.)	386.6 mm (15.22 in.)
VESA mount	282.6 mm (11.0 in.)	383.6 mm (15.0 in.)	50 mm (2.0 in.)	—	—
1750M					
Panel mount	356 mm (14.0 in.)	452 mm (17.8 in.)	53 mm (2.1 in.)	329.5 mm (12.97 in.)	424 mm (16.69 in.)
VESA mount	326.5 mm (12.9 in.)	421 mm (16.6 in.)	53 mm (2.1 in.)	—	—
1950M					
Panel mount	399.3 mm (15.7 in.)	482.6 mm (19.0 in.)	58 mm (2.3 in.)	363.5 mm (14.31 in.)	449.6 mm (17.70 in.)
VESA mount	357 mm (14.1 in.)	444 mm (17.5 in.)	58 mm (2.3 in.)	—	—

HMI Software

The Allen-Bradley industrial computers support the full suite of Rockwell Software solutions, including Integrated Architecture and FactoryTalk View software. Combine this hardware and software to assure comprehensive application support from an industry leader.

FactoryTalk View performance and visibility HMI software are designed with a common look, feel, and navigation to help speed HMI development and training time. The visualization strategy combines Rockwell Automation expertise in industrialized personal computer hardware with Rockwell Software supervisory control software.

For a complete list of available HMI software, visit <http://www.rockwellautomation.com/rockwellsoftware>.

FactoryTalk View Machine Edition Software

FactoryTalk View Machine Edition (ME) software supports both open and embedded operator interface solutions for monitoring and controlling individual machines or small processes. This software features a consistent operator interface across multiple platforms, including Microsoft Windows 8.1, 8, 7, Vista, XP, Server, and Embedded Compact solutions. FactoryTalk View ME software consists of a design and runtime environment.

FactoryTalk View Studio Software

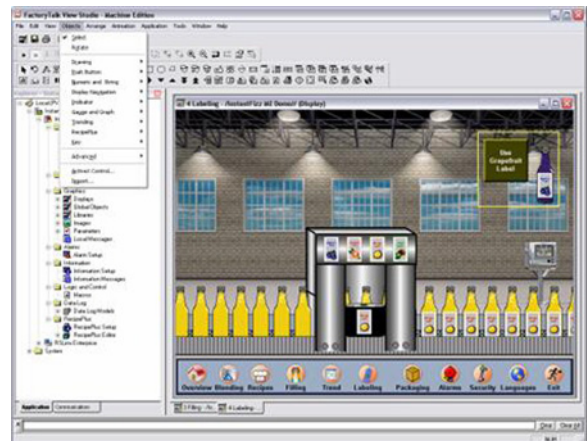
FactoryTalk View Studio software is the design environment to create and test HMI applications, including graphic displays, trends, alarms, and real-time animation. Runtime files can be generated to run on a PanelView™ Plus terminal or industrial computer.

FactoryTalk View ME Station

FactoryTalk View ME Station is the runtime environment for HMI applications. FactoryTalk View ME Station is automatically installed and activated on PanelView Plus terminals. FactoryTalk View ME activation is required when running HMI applications on industrial computers.

FactoryTalk View ME offers many advantages:

- Alarms to alert operators to conditions that require immediate action
- Security to restrict operator access to specific displays
- RecipePlus for machine or process recipe management
- Display text supports up to 20 languages per application, so operators can switch language at runtime
- Global and predefined objects are time and memory savers
- Studio 5000® and Logix Designer process faceplates
- Ability to convert runtime application to design application
- Transfer parameters for reuse in displays and design efficiency



FactoryTalk View Site Edition Software

FactoryTalk View Site Edition (SE) software is used to develop and run supervisory-level monitoring and to control HMI applications. Its architecture is scalable to a wide range of applications, from standalone, one-server/one-client applications to multi-server/multi-client applications. Runtime servers and clients are supported for customers to develop and deploy a multi-server/multi-client application.

FactoryTalk View SE applications are created and tested within the FactoryTalk View Studio design environment:

- Share data and seamless integration with other FactoryTalk enabled products. The FactoryTalk Services Platform provides common services, such as security, alarms, and diagnostics across products.
- Optimize plant communication with FactoryTalk Live Data and premier connectivity to Allen-Bradley controllers.
- Access tag information directly in the controller to eliminate HMI tags.
- Configure an application from anywhere on the network to change a running system with a remote, multi-user configuration capability.
- Define graphic displays once and reference them throughout a distributed system.
- Provide an audit trail of operator and alarm information in a centralized log database.
- Customize the operator experience by using client-side VBA and the exposed graphics object model.



FactoryTalk View Studio Enterprise Software

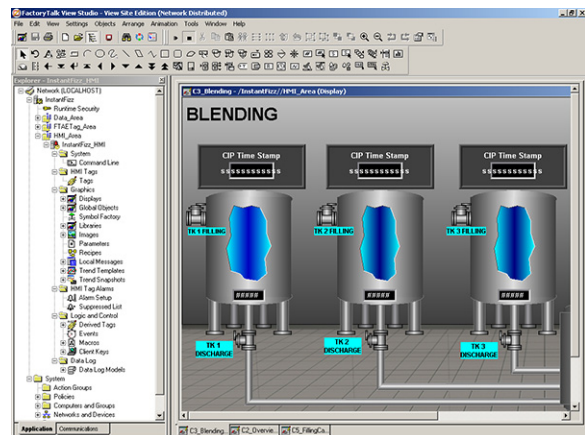
FactoryTalk View Studio Enterprise software is a design environment where you can create applications in both FactoryTalk View ME and FactoryTalk View SE software. The ability to edit and reuse projects in FactoryTalk View Studio improves portability between embedded machine and supervisory HMI systems.

With FactoryTalk View software, all products in the suite are built on the same integrated, scalable architecture. Application developers can import entire machine-level applications into supervisory-level applications or drag individual components and drop them right into supervisory projects, which saves development time and reduces Engineering and training costs.

Plus, help protect your current HMI investments by importing PanelBuilder[®]32 (PanelView[™]) applications into FactoryTalk View ME software and RSVIEW[®]32 applications into FactoryTalk View SE software.

With FactoryTalk View Studio software, you can do the following:

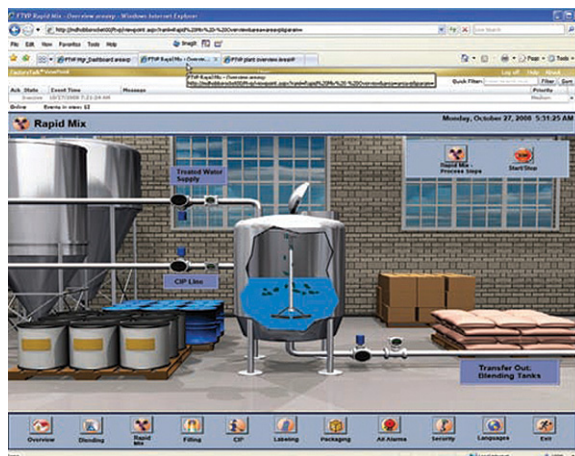
- Configure one operator station or an entire distributed application from one location.
- Access tags from OPC servers throughout the system via a tag browser that presents direct controller tags and HMI tags in a logical hierarchy.
- Remotely configure RSLinx[®] and FactoryTalk View SE servers.
- Create displays by using a full-featured graphics editor.
- Define display text in multiple languages, so operators can switch language at runtime.
- Use pre-engineered faceplates to interface with the process control functions in the Logix controllers.



FactoryTalk ViewPoint Software

An add-on to FactoryTalk View SE software and PanelView Plus 6 or 7 terminals, FactoryTalk ViewPoint software provides on-demand access to important information about your plant or process from a Web Browser. Plant managers, supervisors, OEMs, system integrators, and other key stakeholders can now access, monitor, and interact with plant floor operations from virtually any location. The thin-client configuration means no client software to install and maintain, which lowers total cost of ownership:

- Fully scalable, animated web applications viewable in the office, at home, or on the road.
- Gives managers, OEMs, and system integrators read and write capability to both view and control real-time plant floor operations by logging in to an internet browser.
- Provides read and write capabilities to monitor operations.
- Gain fast access to real-time information with a standard Web Browser.
- Supports multiple browsers and client devices for increased flexibility.
- Lets FactoryTalk View projects be web-enabled without any necessary application changes.
- Monitor and control HMI applications, perform diagnostics, and provide remote support.



Software Comparison

Table 26 - Software Technology

Customer Requirements	FactoryTalk View Site Edition (SE)	FactoryTalk View Machine Edition (ME)	RSView32
Operating systems (32 bit)	<ul style="list-style-type: none"> • Windows 8.1 Professional • Windows 8.1 Enterprise • Windows 8 Professional • Windows 8 Enterprise • Windows 7 Professional • Windows 7 Professional SP1 • Windows 7 Enterprise SP1 • Windows Server 2008 Standard SP2 • Windows Vista SP2 • Windows XP Professional SP3 • Windows Server 2003 R2 Standard SP2 		<ul style="list-style-type: none"> • Windows 7 Professional • Windows XP Professional SP1 or later • Windows Server 2008 Standard SP2 • Windows Vista Business SP1 or later • Windows Vista Home Basic SP1 or later • Windows Server 2003 R2 Standard SP2 • Windows Server 2000 SP4 • Windows 2000 Professional SP4
Operating systems (64 bit) ⁽¹⁾	<ul style="list-style-type: none"> • Windows 8.1 Professional • Windows 8.1 Enterprise • Windows 8 Professional • Windows 8 Enterprise • Windows 7 Professional • Windows 7 Professional SP1 • Windows 7 Enterprise SP1 • Windows 7 Ultimate SP1 • Windows Server 2012 Standard • Windows Server 2012 R2 Standard • Windows Server 2008 R2 Standard SP1 • Windows Server 2008 R2 Enterprise SP1 • Windows Server 2008 Standard SP2 		
Embedded platforms		✓	
Windows domain security	✓	✓	✓
OPC/ActiveX	✓	✓	✓
FactoryTalk enabled	✓	✓	
Server-side VBA			✓
Client-side VBA	✓		

(1) 64-bit Windows Vista, Windows XP Professional, and Windows Server 2003 are not longer supported with FactoryTalk View versions 8.20 or later.

Table 27 - Software Architecture

Customer Requirements	FactoryTalk View SE		FactoryTalk View ME	RSView32
Primary application	Supervisory level: single station up to multiple server, multiple client		Machine level: single station	Supervisory level; single station up to single server, multiple client
Tag-based HMI	✓		✓	✓
Direct reference capability	✓		✓	
	Network (Distributed)	Local		
Max Number of servers/clients	10/50			1/20
FactoryTalk ViewPoint	✓	✓	✓ ⁽¹⁾	
RSView32 WebServer				✓
Thin clients (terminal services)	✓			✓
Multi-user development	✓			
Remote configuration at runtime	✓			
Redundancy - data server	✓			
Redundancy - HMI server	✓			Active display

(1) Supported only on PanelView Plus 6 and PanelView Plus 7 terminals.

Table 28 - Software Features

Customer Requirements	FactoryTalk View SE	FactoryTalk View ME	RSView32
Animation - visibility, color, fill, horizontal and vertical position, width, height, rotation, horizontal and vertical slider, and more	And touch	No touch animation	And touch
Alarms	<ul style="list-style-type: none"> FactoryTalk alarms and events HMI alarms Digital and analog Defined alarm severities Alarm log 	<ul style="list-style-type: none"> Tag-based (from controller) Alarm log 	<ul style="list-style-type: none"> Tag-based Digital and analog Definable alarm severities Alarm log
Data logging	<ul style="list-style-type: none"> 20 data log models per project Each with up to 10,000 tags Log to ODBC or proprietary database 	<ul style="list-style-type: none"> 1 data log model per project With up to 100 tags 1,000K records max Export to dbf 	<ul style="list-style-type: none"> 20 plus data log models per project Each with up to 10,000 tags Log to ODBC or proprietary database
Trend version	TrendX 4.0	TrendX 4.0 subset	TrendX 3.1 and native
Security	<ul style="list-style-type: none"> Assigned to tags, graphic displays, macros, commands, OLE objects Local or Windows security 	<ul style="list-style-type: none"> Display-based Local or Windows security 	<ul style="list-style-type: none"> Assigned to tags, graphic displays, macros, commands, OLE objects Local or Windows security
Other features	<ul style="list-style-type: none"> Test run macros Derived tags Event detector 	<ul style="list-style-type: none"> Test run macros Derived tags S/B test run macros-derived tags 	<ul style="list-style-type: none"> Test run macros Derived tags Event detector
Price model	<ul style="list-style-type: none"> Display-based Multiple levels 	<ul style="list-style-type: none"> Included with PanelView Plus 7 or display-based Multiple levels for FactoryTalk View ME Station 	<ul style="list-style-type: none"> Tag-based Multiple levels

Table 29 - FactoryTalk View Site Edition (SE) Software

Installation Type	Software Installed	Hardware Requirements (min)
Operator workstation	FactoryTalk View SE Client or FactoryTalk View SE Station	<ul style="list-style-type: none"> Intel Core 2 Duo 2 GB memory
Engineering workstation	<ul style="list-style-type: none"> FactoryTalk View Studio Enterprise RSLink® Classic RSLink Enterprise Studio 5000 	<ul style="list-style-type: none"> Intel Core 2 Duo 4 GB memory
Application server	<ul style="list-style-type: none"> FactoryTalk View SE Server FactoryTalk View Studio Enterprise FactoryTalk View Alarms and Tags based Server RSLink Enterprise Data Server with FactoryTalk alarms and events enabled 	<p>Smaller system:</p> <ul style="list-style-type: none"> Intel Core 2 Duo 2 GB memory <p>Medium to larger systems:</p> <ul style="list-style-type: none"> Quad core Intel Xeon 4 GB memory

Table 30 - FactoryTalk View SE Software

Media Cat. No.	Electronic Download Cat. No.	Description ⁽¹⁾
To choose your preferred language, replace the xx in the catalog number with EN for English, DE for German, FR for French, JP for Japanese, or ZH for Chinese.		
9701-VWSTxxE	9701-VWSTxxW	FactoryTalk View Studio for FactoryTalk View Enterprise - configuration software to develop and test machine level and supervisory level HMI applications
9701-VWSCWAxxE	9701-VWSCWAxxW	FactoryTalk View SE Client - software to view and interact with FactoryTalk View SE Servers ⁽²⁾
9701-VWSCRAxxE	9701-VWSCRAxxW	FactoryTalk View SE View Client - provides read-only capabilities
9701-VWSB015AxxE	9701-VWSB015AxxW	FactoryTalk View SE Station 15 display
9701-VWSB025AxxE	9701-VWSB025AxxW	FactoryTalk View SE Station 25 display
9701-VWSB100AxxE	9701-VWSB100AxxW	FactoryTalk View SE Station 100 display
9701-VWSB250AxxE	9701-VWSB250AxxW	FactoryTalk View SE Station 250 display
9701-VWSB000AxxE	9701-VWSB000AxxW	FactoryTalk View SE Station unlimited display
9701-VWSS025LxxE	9701-VWSS025LxxW	FactoryTalk View SE Server 25 display with RSLinx Enterprise
9701-VWSS100LxxE	9701-VWSS100LxxW	FactoryTalk View SE Server 100 display with RSLinx Enterprise
9701-VWSS250LxxE	9701-VWSS250LxxW	FactoryTalk View SE Server 250 display with RSLinx Enterprise
9701-VWSS000LxxE	9701-VWSS000LxxW	FactoryTalk View SE Server unlimited display with RSLinx Enterprise

(1) FactoryTalk View Station and FactoryTalk View SE Server include RSLinx Enterprise and RSLinx Classic software, version 3.70.

(2) FactoryTalk View SE Server stores HMI project components and serves to clients, for example, graphic displays.

Table 31 - FactoryTalk ViewPoint Software

Media Cat. No. ⁽¹⁾	Electronic Download Cat. No.	Description ⁽²⁾
9522-VWP01RENE	9522-VWP01RENW	FactoryTalk ViewPoint 1-client system
9522-VWP03RENE	9522-VWP03RENW	FactoryTalk ViewPoint 3-client system
9522-VWP05RENE	9522-VWP05RENW	FactoryTalk ViewPoint 5-client system
9522-VWP10RENE	9522-VWP10RENW	FactoryTalk ViewPoint 10-client system
9522-VWP25RENE	9522-VWP25RENW	FactoryTalk ViewPoint 25-client system
9522-VWP50RENE	9522-VWP50RENW	FactoryTalk ViewPoint 50-client system

(1) Order any of these catalog numbers to use FactoryTalk ViewPoint software with FactoryTalk View SE network or local applications.

(2) FactoryTalk ViewPoint server and one client access license are included with the purchase of a PanelView Plus 6 or PanelView Plus 7 terminal. No other catalog numbers are required to use FactoryTalk ViewPoint software with PanelView Plus 6 or PanelView Plus 7 terminals.

Table 32 - FactoryTalk View Machine Edition (ME) Software

Media Cat. No.	Electronic Download Cat. No.	Description
To choose your preferred language, replace the xx in the catalog number with EN for English, DE for German, FR for French, JP for Japanese, or ZH for Chinese.		
9701-VWSTMxxE	9701-VWSTMxxW	FactoryTalk View Studio for Machine Edition - configuration software to develop and test machine level HMI applications. FactoryTalk View Machine Edition includes RSLinx Enterprise and KEPServer Enterprise software.

Table 33 - FactoryTalk View ME Station

Media Cat. No.	Electronic Download Cat. No.	Description ^{(1) (2)}
To choose your preferred language, replace the xx in the catalog number with EN for English, DE for German, FR for French, JP for Japanese, or ZH for Chinese.		
9701-VWMR015AxxE	9701-VWMR015AxxW	FactoryTalk View ME Station Runtime 15 displays
9701-VWMR030AxxE	9701-VWMR030AxxW	FactoryTalk View ME Station Runtime 30 displays
9701-VWMR075AxxE	9701-VWMR075AxxW	FactoryTalk View ME Station Runtime 75 displays
9701-VWMR250AxxE	9701-VWMR250AxxW	FactoryTalk View ME Station Runtime 250 displays
9701-VWMR500AxxE	9701-VWMR500AxxW	FactoryTalk View ME Station Runtime 500 displays

(1) FactoryTalk View Machine Edition Station is the runtime environment where FactoryTalk View ME projects created with FactoryTalk View Studio software are run on any computer with a Windows operating system. See [page 26](#) for the available Windows operating systems.

(2) FactoryTalk View ME Station runtime is included with all PanelView Plus 6 or PanelView Plus 7 terminals.

Table 34 - RSView32 Software

Media Cat. No.	Electronic Download Cat. No.	Description⁽¹⁾
9301-2SE3104	9301-2SE3104W	RSView32 Runtime 150 with RSLinx Classic single node
9301-2SE3103	9301-2SE3103W	RSView32 Runtime 150 with RSLinx Classic OEM, which includes 9301-2SE3100 RSView32 Runtime 150 and 9355-WABSNENE RSLinx Classic single node
9301-2SE3100	9301-2SE3100W	RSView32 Runtime 150 - 150 tag database and standalone runtime
9301-2SE2104	9301-2SE2104W	RSView32 Works 150 with RSLinx Classic single node
9301-2SE2103	9301-2SE2103W	RSView32 Works 150 with RSLinx Classic OEM, which includes 9301-2SE2100 RSView32 Works 150 and 9355-WABSNENE RSLinx Classic single node
9301-2SE2100	9301-2SE2100W	RSView32 Works 150 - 150 tag database that includes development and one embedded runtime
9301-2SE3204	9301-2SE3204W	RSView32 Runtime 300 with RSLinx Classic single node
9301-2SE3203	9301-2SE3203W	RSView32 Runtime 300 with RSLinx Classic OEM, which includes 9301-2SE3203 RSView32 runtime 300 and 9355-WABSNENE RSLinx Classic single node
9301-2SE3200	9301-2SE3200W	RSView32 Runtime 300 - 300 tag database and standalone runtime
9301-2SE2204	9301-2SE2204W	RSView32 Works 300 with RSLinx Classic single node
9301-2SE2203	9301-2SE2203W	RSView32 Works 300 with RSLinx Classic OEM, which includes 9301-2SE2200 RSView32 Works 300 and 9355-WABSNENE RSLinx Classic single node
9301-2SE2200	9301-2SE2200W	RSView32 Works 300 - 300 tag database that includes development and one embedded runtime
9301-2SE3304	9301-2SE3304W	RSView32 Runtime 1500 with RSLinx Classic single node
9301-2SE3303	9301-2SE3303W	RSView32 Runtime 1500 with RSLinx Classic OEM, which includes 9301-2SE3300 RSView32 runtime 1500 and 9355-WABSNENE RSLinx Classic single node
9301-2SE3300	9301-2SE3300W	RSView32 Runtime 1500 - 1500 tag database and standalone runtime
9301-2SE2304	9301-2SE2304W	RSView32 Works 1500 with RSLinx Classic single node
9301-2SE2303	9301-2SE2303W	RSView32 Works 1500 with RSLinx Classic OEM, which includes 9301-2SE2300 RSView32 Works 1500 and 9355-WABSNENE RSLinx Classic single node
9301-2SE2300	9301-2SE2300W	RSView32 Works 1500 - 1500 tag database that includes development and one embedded runtime
9301-2SE3353	9301-2SE3353W	RSView32 Runtime 5000 with RSLinx Classic OEM, which includes 9301-2SE3500 RSView32 runtime 5000 and 9355-WABSNENE RSLinx Classic single node
9301-2SE3350	9301-2SE3350W	RSView32 Runtime 5000 - 5000 tag database and standalone runtime
9301-2SE2353	9301-2SE2353W	RSView32 Works 5000 with RSLinx Classic OEM, which includes 9301-2SE2350 RSView32 Works 5000 and 9355-WABSNENE RSLinx Classic single node
9301-2SE2350	9301-2SE2350W	RSView32 Works 5000 - 5000 tag database that includes development and one embedded runtime
9301-2SE3403	9301-2SE3403W	RSView32 Runtime 32K with RSLinx Classic OEM, which includes 9301-2SE3400 RSView32 runtime 2K and 9355-WABSNENE RSLinx Classic single node
9301-2SE3400	9301-2SE3400W	RSView32 Runtime 32K - 32,000 tag database and standalone runtime
9301-2SE2403	9301-2SE2403W	RSView32 Works 32K with RSLinx Classic OEM, which includes 9301-2SE2400 RSView32 Works 32K and 9355-WABSNENE RSLinx Classic single node
9301-2SE2400	9301-2SE2400W	RSView32 Works 32K - 32,000 tag database that includes development and one embedded runtime
9301-2SE3503	9301-2SE3503W	RSView32 Runtime 100K with RSLinx Classic OEM, which includes 9301-2SE3500 RSView32 runtime 100K and 9355-WABSNENE RSLinx Classic single node
9301-2SE3500	9301-2SE3500W	RSView32 Runtime 100K - 100,000 tag database and standalone runtime
9301-2SE2503	9301-2SE2503W	RSView32 Works 100K with RSLinx Classic OEM, which includes 9301-2SE2500 RSView32 Works 100K and 9355-WABSNENE RSLinx Classic single node
9301-2SE2500	9301-2SE2500W	RSView32 Works 100K - 100,000 tag database that includes development and one embedded runtime
9301-RSVWSENE	9301-RSVWSENEW	RSView32 WebServer
9301-MSGRPROENE	9301-MSGRPROENW	RSView32 Messenger Pro

(1) Monitors, controls, and acquires data.

Table 35 - RSView32 Active Display System

Media Cat. No.	Electronic Download Cat. No.	Description ⁽¹⁾
9305-RSVADSENE	9305-RSVADSENW	RSView32 Active Display Server that includes one active display server (no clients)
9305-ADSGWENE	9305-ADSGWENW	RSView32 Active Display Server with FactoryTalk Gateway, which includes one active display server (no clients) and 9355-WABGWENE RSLinx Classic Gateway
9305-RSVADFCENE	9305-RSVADFCENW	RSView32 Active Display Floating Client that includes one client with server-side activation
9305-RSVADDCENE	9305-RSVADDCCENW	RSView32 Active Display Dedicated Client that includes one client with client-side activation
9305-RSVADFCENE	9305-RSVADFCENW	RSView32 Active Display Floating View Client that includes one view-only client with server-side activation

(1) Client/Server Enhancement to RSView32.

Table 36 - RSView32 Languages

Media Cat. No.	Electronic Download Cat. No.	Description
To choose your preferred language, replace the xx in the catalog number with EN for English, DE for German, ES for Spanish, FR for French, IT for Italian, JP for Japanese, KO for Korean, PT for Portuguese, and ZH for Chinese.		
9301-2SE2100xxE	9301-2SE2100xxW	RSView32 Works 150
9301-2SE2103xxE	9301-2SE2103xxW	RSView32 Works 150 with RSLinx Classic bundle
9301-2SE2200xxE	9301-2SE2200xxW	RSView32 Works 300
9301-2SE2203xxE	9301-2SE2203xxW	RSView32 Works 300 with RSLinx Classic bundle
9301-2SE2300xxE	9301-2SE2300xxW	RSView32 Works 1500
9301-2SE2303xxE	9301-2SE2303xxW	RSView32 Works 1500 with RSLinx Classic bundle
9301-2SE2350xxE	9301-2SE2350xxW	RSView32 Works 5K
9301-2SE2353xxE	9301-2SE2353xxW	RSView32 Works 5K with RSLinx Classic bundle
9301-2SE2400xxE	9301-2SE2400xxW	RSView32 Works 32K
9301-2SE2403xxE	9301-2SE2403xxW	RSView32 Works 32K with RSLinx Classic bundle
9301-2SE2500xxE	9301-2SE2500xxW	RSView32 Works 100K
9301-2SE2503xxE	9301-2SE2503xxW	RSView32 Works 100K with RSLinx Classic bundle
9301-2SE3100xxE	9301-2SE3100xxW	RSView32 Runtime 150
9301-2SE3103xxE	9301-2SE3103xxW	RSView32 Runtime 150 with RSLinx Classic bundle
9301-2SE3200xxE	9301-2SE3200xxW	RSView32 Runtime 300
9301-2SE3203xxE	9301-2SE3203xxW	RSView32 Runtime 300 with RSLinx Classic bundle
9301-2SE3300xxE	9301-2SE3300xxW	RSView32 Runtime 1500
9301-2SE3303xxE	9301-2SE3303xxW	RSView32 Runtime 1500 with RSLinx Classic bundle
9301-2SE3350xxE	9301-2SE3350xxW	RSView32 Runtime 5K
9301-2SE3353xxE	9301-2SE3353xxW	RSView32 Runtime 5K with RSLinx Classic bundle
9301-2SE3400xxE	9301-2SE3400xxW	RSView32 Runtime 32K
9301-2SE3403xxE	9301-2SE3403xxW	RSView32 Runtime 32K with RSLinx Classic bundle
9301-2SE3500xxE	9301-2SE3500xxW	RSView32 Runtime 100K
9301-2SE3503xxE	9301-2SE3503xxW	RSView32 Runtime 100K with RSLinx Classic bundle
9305-RSVADSxxE	9305-RSVADSxxW	RSView32 Active Display Server
9305-RSVADFCxxE	9305-RSVADFCxxW	RSView32 Active Display Floating Client
9305-RSVADDCCxxE	9305-RSVADDCCxxW	RSView32 Active Display Dedicated Client
9305-RSVADFCxxE	9305-RSVADFCxxW	RSView32 Active Display Floating View Client

Table 37 - Third-party Connectivity

Media Cat. No.	Electronic Download Cat. No.	Description
9301-OPCSRVENE	9301-OPCSRVENW	KEPServer Enterprise for RSView32, FactoryTalk View Site Edition, and FactoryTalk View Machine Edition

Additional Resources

These documents contain more information about related products from Rockwell Automation.

Resource	Description
Visualization Solutions Selection Guide, VIEW-SG001	Provides an overview of the visualization products, which includes catalog number selections offered by Rockwell Automation.
Integrated Display Computers User Manual, publication 6181P-UM003	Provides information to install, make connections, operate, and troubleshoot integrated display computers with hard disk drives.
Integrated Display Industrial Computers User Manual, publication 6181P-UM004	Provides information to install, make connections, operate, and troubleshoot integrated display computers with solid-state drives.
Industrial Computers for Hazardous Locations User Manual, publication 6181X-UM001	Provides information and guidelines to install, operate, and troubleshoot this computer in hazardous locations and extreme temperature environments.
Non-display Industrial Computers User Manual, publication 6177R-UM002	Provides information to install, make connections, operate, and troubleshoot the 750R and 1450R non-display computers.
6186M Performance Monitors User Manual, publication 6186M-UM002	Provides information to install and mount the monitors, configure video setup, and troubleshoot the monitors.
6176M Standard Monitors User Manual, publication 6176M-UM001	Provides information to install and mount the monitors, configure video setup, and troubleshoot the monitors.
Cloning Utility Technical Data, publication 6000-TD002	Provides information to create and restore a backup image of your computer's hard disk drive.
Diagnostic Utility for Industrial Computers, publication 6000-TG001	Provides information to diagnose hardware issues with industrial computers.
EFW and HORM Configuration Utility Technical Data, publication 6000-TD003	Provides information to configure Enhanced Write Filter (EFW) and Hibernate Once, Restore Many (HORM) features for computers with the Windows Embedded Standard 2009 operating system.

You can view or download publications at <http://www.rockwellautomation.com/literature>. To order paper copies of technical documentation, contact your local Allen-Bradley distributor or Rockwell Automation sales representative.

Rockwell Automation Support

Use the following resources to access support information.

Technical Support Center	Knowledgebase Articles, How-to Videos, FAQs, Chat, User Forums, and Product Notification Updates.	www.rockwellautomation.com/knowledgebase
Local Technical Support Phone Numbers	Locate the phone number for your country.	www.rockwellautomation.com/global/support/get-support-now.page
Direct Dial Codes	Find the Direct Dial Code for your product. Use the code to route your call directly to a technical support engineer.	www.rockwellautomation.com/global/support/direct-dial.page
Literature Library	Installation Instructions, Manuals, Brochures, and Technical Data.	www.rockwellautomation.com/literature
Product Compatibility and Download Center (PCDC)	Get help determining how products interact, check features and capabilities, and find associated firmware.	www.rockwellautomation.com/global/support/pcdc.page

Documentation Feedback

Your comments will help us serve your documentation needs better. If you have any suggestions on how to improve this document, complete the How Are We Doing? form at http://literature.rockwellautomation.com/idc/groups/literature/documents/du/ra-du002_-en-e.pdf.

Rockwell Automation maintains current product environmental information on its website at <http://www.rockwellautomation.com/rockwellautomation/about-us/sustainability-ethics/product-environmental-compliance.page>.

Allen-Bradley, FactoryTalk, Integrated Architecture, PanelBuilder, PanelView, RSLinx, Rockwell Software, Rockwell Automation, and LISTEN. THINK. SOLVE are trademarks of Rockwell Automation, Inc. Trademarks not belonging to Rockwell Automation are property of their respective companies.

Rockwell Otomasyon Ticaret A.Ş., Kar Plaza İş Merkezi E Blok Kat:6 34752 İçerenköy, İstanbul, Tel: +90 (216) 5698400

www.rockwellautomation.com

Power, Control and Information Solutions Headquarters

Americas: Rockwell Automation, 1201 South Second Street, Milwaukee, WI 53204-2496 USA, Tel: (1) 414.382.2000, Fax: (1) 414.382.4444

Europe/Middle East/Africa: Rockwell Automation NV, Pegasus Park, De Kleetlaan 12a, 1831 Diegem, Belgium, Tel: (32) 2 663 0600, Fax: (32) 2 663 0640

Asia Pacific: Rockwell Automation, Level 14, Core F, Cyberport 3, 100 Cyberport Road, Hong Kong, Tel: (852) 2887 4788, Fax: (852) 2508 1846

Publication IC-TD001G-EN-P - May 2016

Supersedes Publication IC-TD001F-EN-P - May 2015

Copyright © 2016 Rockwell Automation, Inc. All rights reserved. Printed in the U.S.A.