



Product Datasheet

ANDERSON FARGO

YCS129040 -- Y-Clevis Eye



Y-Clevis Eye, Rotated, Ductile Iron, 0.875" Curved Bolt, Eye: 1.125" with 0.813" Hole, UTS 40,000 lb

Product Specifications

Hardware Family



**Clevis Eye &
Y-Clevis Eye**
Coupling Fittings

Clevis Eye Fittings

YCS1090
Photo Sample

YCS-90 Series
Y-Clevis Eye, Rotated
Coupling Fittings

PDF Catalog Page

[Click HERE to view the web page.](#)

Ultimate Strength

40,000 lb (18,144 kg)

Coupling Length

2.375 in (60.33 mm)

Eye Width

1.125 in (28.58 mm)

Eye Hole Diameter

0.813 in (20.64 mm)

Dimension B

1.563 in (39.69 mm)

Dimension R

0.813 in (20.64 mm)

Dimension W

1.125 in (28.58 mm)

Dimension PD

0.875 in (22.23 mm)

Material

Ductile Iron

Cotter Pin Material	Stainless Steel
Clevis Pin Material	Galvanized Steel
Material Type	Non-Standard
UPC Code	09635935384
Standard Package	1
Standard Package Unit	Each
Min Order Qty	1
Weight / Ea.	2.45 lbs

Compressed Product Number

YCS129040

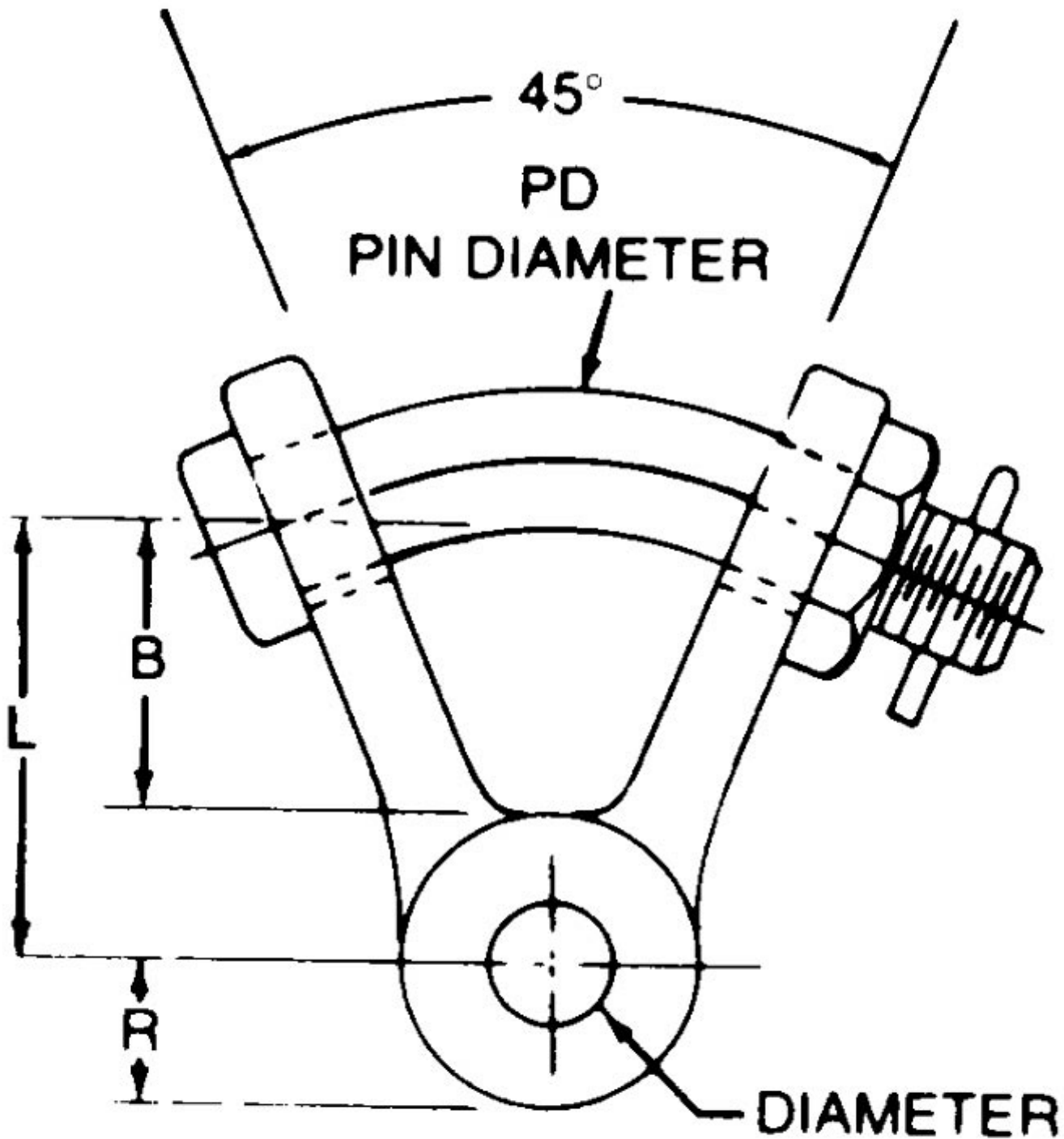


FIGURE 2 YCS-90

[Catalog Home](#)



[Warranty Info](#) | [Trademarks](#) | [Terms of Use](#)

All contents Copyright © 2007 Hubbell Power Systems, Inc. All rights reserved.

NOTE: Because Hubbell has a policy of continuous product improvement, we reserve the right to change design and specifications without notice.