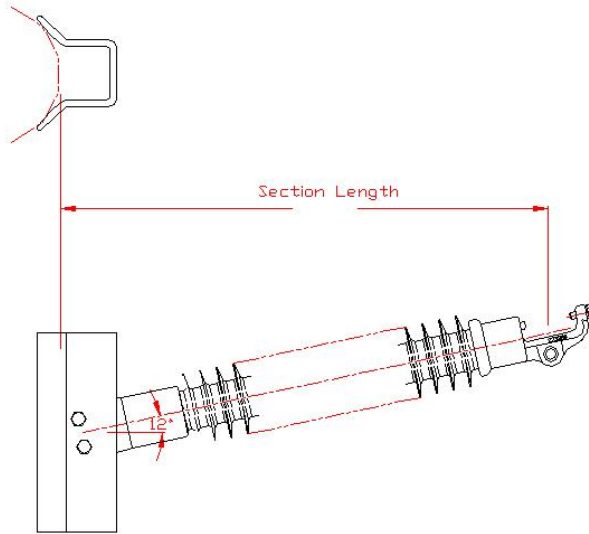


Product Datasheet

P250026S1020

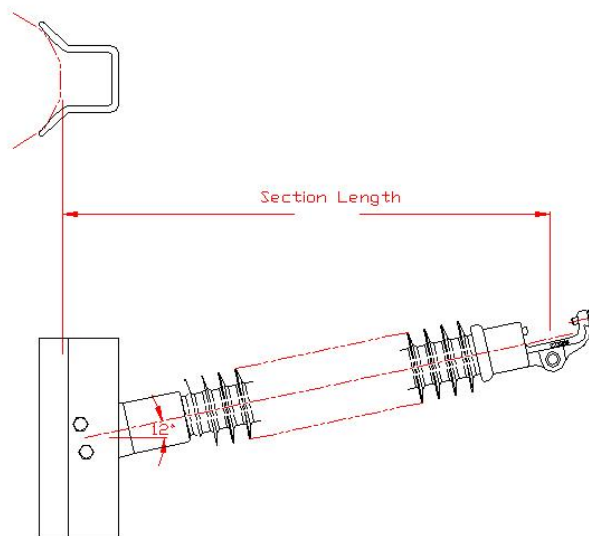


Product Specifications

Typical System Voltage	69kV / 115kV
Rod Diameter	2.5 IN, 2.5"
Top/Ground End Fitting	Horizontal Clamptop
Bottom/Line End Fitting	Aluminum Gain 12" (305mm) CL mounting
Section Length	40.1 IN (1018 mm)
Leakage Distance	70 IN (1778 mm)
Corona Ring	None
Polymer Length	26.81 IN
System Voltage (kV)	69kV
Dry Arc Distance	27.4 IN (695 MM)
Number of Sheds	22
Shed Style	Uniform
Shed Diameter	5.06"
SCL	4890 LB
RCL	2445 LB
Thickness of housing over Rod	> 3MM
ANSI 60Hz Dry FO	280
ANSI 60Hz Wet FO	255
IEC lightning Impulse Withstand - Positive	425
IEC lightning Impulse Withstand - Negative	540

Compressed Product Number

P250026S1020





[Warranty Info](#) | [Trademarks](#) | [Terms of Use](#)

All contents Copyright © 2007 Hubbell Power Systems, Inc. All rights reserved.

NOTE: Because Hubbell has a policy of continuous product improvement, we reserve the right to change design and specifications without notice.