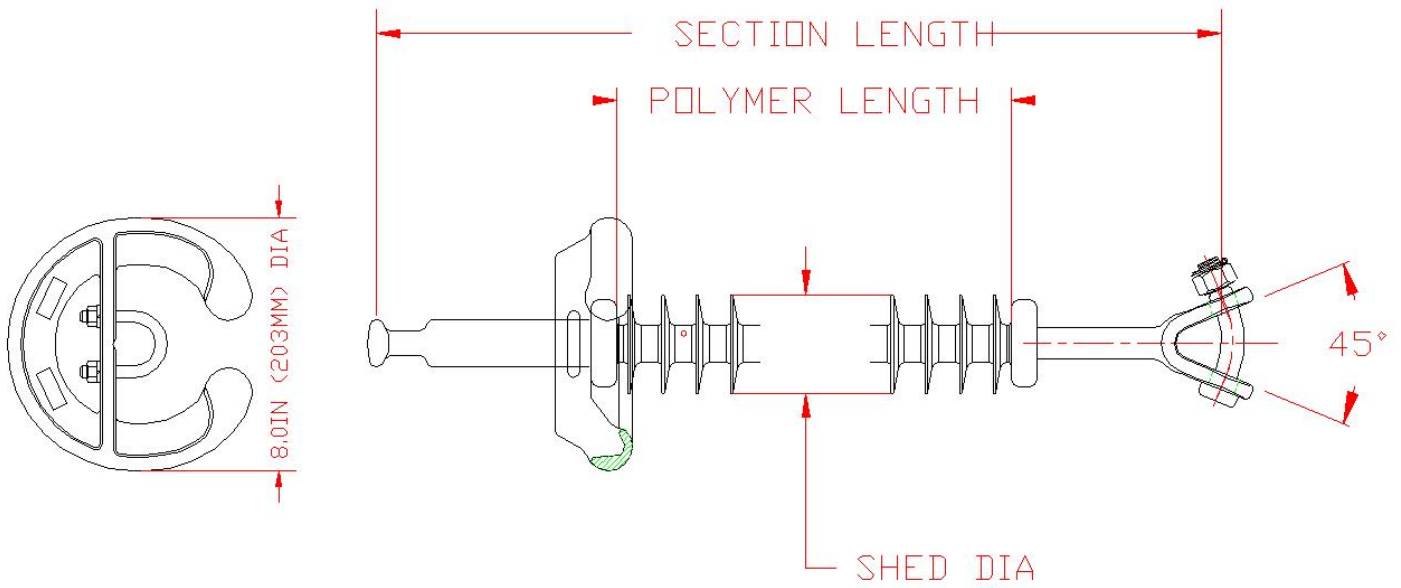


S030056S201A

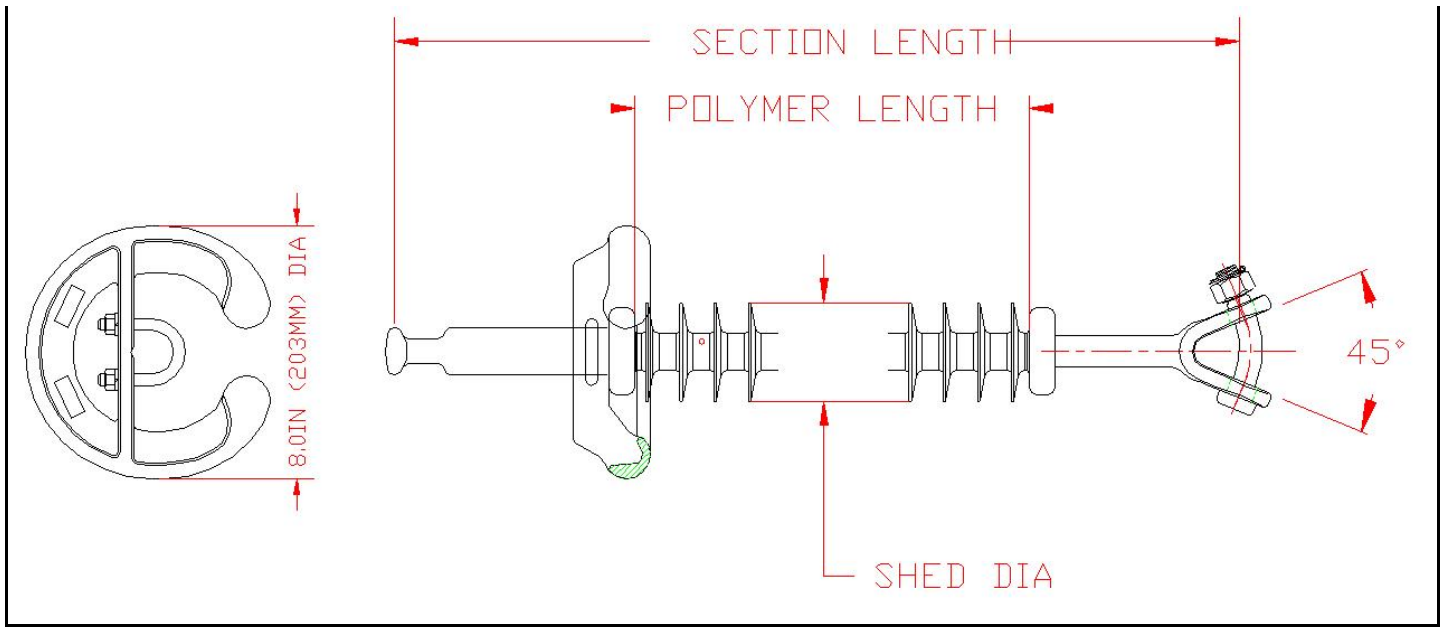


Product Specifications

Typical System Voltage	138kV / 161kV
Strength Class	30 kip, 5/8" (16 mm)
Top/Ground End Fitting	Y-Clevis
Bottom/Line End Fitting	ANSI Ball
Section Length	67.86 IN (1724 MM)
Leakage Distance	143 IN (3632 MM)
Corona Ring	8" Line End
Polymer Length	56.06 IN (1424 MM)
System Voltage (kV)	161kV
Working Load	15,000 lbs
Dry Arc Distance	56.1 IN (1424 MM)
Number of Sheds	52
Shed Style	Uniform
Shed Diameter	2.9 IN
Rod Diameter	5/8 IN (16 MM)
Thickness of housing over Rod	> 3MM
End Fitting Class	ANSI
End Fitting Material	Ductile Iron
SML	30,000 lbs
RTL	15,000 lbs
ANSI 60Hz Dry FO	575 kV
Housing Material	SILICONE RUBBER
ANSI 60Hz Wet FO	535 kV
ANSI 60Hz Wet Withstand	350 kV
IEC lightning Impulse Withstand - Positive	925 kV
ANSI Critical Impulse FO - Positive	810 kV
IEC lightning Impulse Withstand - Negative	925 kV
ANSI Critical Impulse FO - Negative	810 kV

Compressed Product Number

S030056S201A



[Catalog Home](#)



[Warranty Info](#) | [Trademarks](#) | [Terms of Use](#)

All contents Copyright © 2007 Hubbell Power Systems, Inc. All rights reserved.

NOTE: Because Hubbell has a policy of continuous product improvement, we reserve the right to change design and specifications without notice.