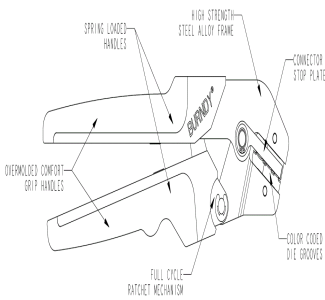




BURNDY Catalog Number
UPC Number
Description
Status

MRE1022NV
 7818105129999
 ERGO TOOL NYL/VINYL CONN
 Active

Web Use
 BURNDY Product Line



General	
Warranty	5 Year Limited Warranty
Product Description	Ergonomic Ratchet Hand Tool, #22-#10, Product Weight 1.3LB
Weight lbs	1.21
Approvals / Certifications	
ROHS Compatible	Exempt
CULUS	N
Physical	
Crimps Coaxial (Y/N)	N
Covered Head	N
Ratcheting	Y
Wire Stripper (Y/N)	N
Dieless (Y/N)	N
Wire Cutter (Y/N)	N
Documentation	

For further technical assistance, please contact us

BURNDY LLC - USA

47 East Industrial Park Drive
 Manchester NH 03109

BURNDY Technical Services

47 East Industrial Park Drive
 Manchester NH 03109

Hours: 8:00 AM - 5:00 PM
 Monday - Friday
 Phone: 800-346-4175