



Color:  Ivory

UPC Code: 07847745525

Country Of Origin: Mexico

NEMA:  
5-15R



## MT562-SI

### Brand Features

The Lev-Lok® Modular Wiring Device System is engineered for fast and easy installation. These devices employ a simple twist and lock wiring module that ensures a safe, reliable connection while at the same time providing for extremely fast and easy installation. Lev-Lok brand wiring devices address the reliability and performance concerns of specification engineers without sacrificing the contractor's need for fast, easy installation. Available in extra heavy duty hospital and industrial grades, and heavy duty commercial grade platforms.

### Item Description

Lev-Lok Duplex Receptacle Outlet, Heavy-Duty Industrial Specification Grade, Tamper-Resistant, Smooth Face, 15 Amp, 125 Volt, Modular, NEMA 5-15R, 2-Pole, 3-Wire, Self-Grounding - Ivory  
Mating Lev-Lok Wiring Module Required for Use

### Technical Information

#### AC Horsepower Ratings

**Horsepower Rating:** 1/2 HP

#### Electrical Specifications

**Grounding:** Self-Grounding

**Amperage:** 15 A

**Voltage:** 125 VAC

**Pole:** 2

**Wire:** 3

**Dielectric Voltage:** Withstands 2000V per UL498

**Maximum Working Voltage:** 125V as rated

**Current Interrupting:** Certified for current interrupting at full rated current

**Temperature Rise:** Max 30C after 250 cycles OL at 200 percent rated current

#### Environmental Specifications

**Flammability:** Rated V-2 per UL94

**Operating Temperature:** -40°C to 60°C

#### Material Specifications

**Cover Material:** Nylon

**Base Material:** Nylon

**Mounting Strap:** Galvanized Steel with Riveted Ground Contacts

**Ground Clips:** Brass

**Line Contacts:** 0.040" Thick Solid Brass

**Locking Pins:** Solid Brass

**Bushing:** Solid Brass

**Mounting Screws:** Triple Combination Head, Steel

**Shutter Mechanism:** Delrin® Acetal

#### Mechanical Specifications

**Product ID:** Ratings are permanently marked on device

**Termination:** Modular

#### Product Features

**NEMA:** 5-15R

**Color:** Ivory

**Device Type:** Duplex Receptacle Outlet

**Feature 2:** Tamper-Resistant

**Feature 4:** Smooth Face

**Grade:** Heavy-Duty Industrial Specification Grade

**Brand:** Lev-Lok

#### Standards and Certifications

**NEMA:** WD-1 & WD-6

**ANSI:** C-73

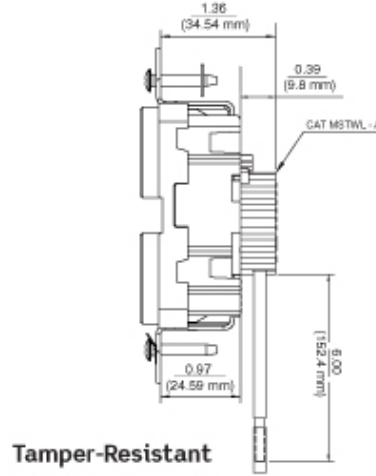
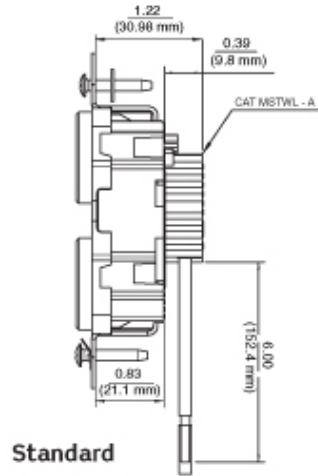
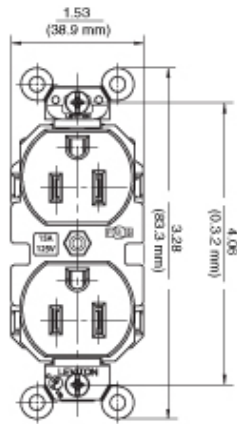
**UL498:** File E13399

**UL Fed Spec WC-596:** File E13399

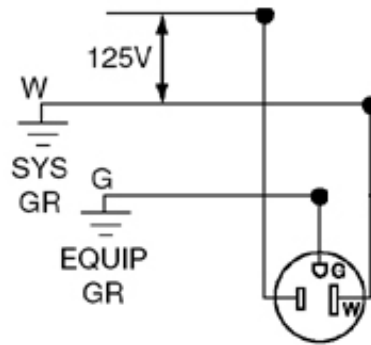
**CSA C22.2 No. 42:** File 152105

**NOM:** 057

**Warranty:** 10 Year Limited



### Wiring Diagram



5-15R

### SPECIFICATION SUBMITTAL

JOB NAME:	CATALOG NUMBERS:	
<input type="text"/>	<input type="text"/>	<input type="text"/>
JOB NUMBER:	<input type="text"/>	<input type="text"/>

#### Leviton Manufacturing Co., Inc.

201 North Service Road, Melville, NY 11747

Teléfono: +1-800-323-8920 · FAX: +1-800-832-9538 · Tech Line (8:30AM-7:30PM E.S.T. Monday-Friday): +1-800-824-3005

#### Leviton Manufacturing of Canada, Ltd.

165 Hymus Boulevard, Pointe Claire, Quebec H9R 1E9 · Telephone: +1-800-469-7890 ·

FAX: +1-800-824-3005 · www.leviton.com/canada

#### Leviton S. de R.L. de C.V.

Lago Tana 43, Mexico DF, Mexico CP 11290 · Tel.: (+52)55-5082-1040 · FAX: (+52)5386-

1797 · www.leviton.com.mx

Visit our Website at: [www.leviton.com](http://www.leviton.com)

© 2018 Leviton Manufacturing Co., Inc. Todos los derechos reservados. Subject to change without notice.

#### Leviton has a global presence.

If you would like to know where your local Leviton office is located please go to:

[www.leviton.com/international/contacts/](http://www.leviton.com/international/contacts/)

