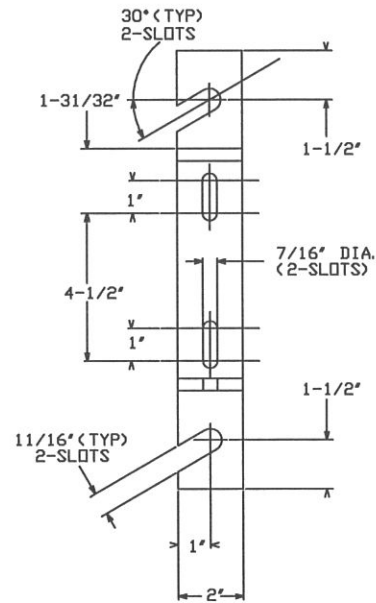
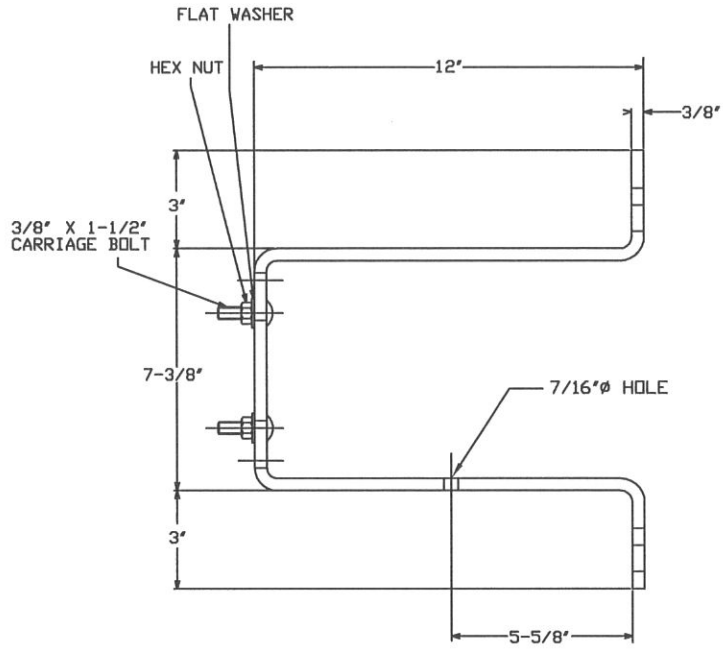



=NOTES=

1. MAT'L: GALVANIZED HOT ROLLED STEEL.



CAT. NO. T206-0606

CHANCE TOLERANCE CHART		 HUBBELL® POWER SYSTEMS <small>Hubbell Services, Inc.</small>	
CONFIDENTIAL: THIS DRAWING AND ITS CONTENTS ARE CONFIDENTIAL AND THE EXCLUSIVE PROPERTY OF HUBBELL POWER SYSTEMS. NO PUBLICATION, DISTRIBUTION OR COPIES MAY BE MADE WITHOUT THE WRITTEN CONSENT OF HUBBELL POWER SYSTEMS. HUBBELL POWER SYSTEMS UNPUBLISHED. ALL RIGHTS RESERVED UNDER THE COPYRIGHT LAWS.			
TITLE		MOUNTING BRACKET	
SIZE	DWG NO.	CAT / PART / ASSY NO.	REV
SB	SA206-0606	T206-0606	A
DO NOT SCALE THIS DRAWING	DRN BY J.J.L.	DATE 06/17/09	SHEET 01 OF 01