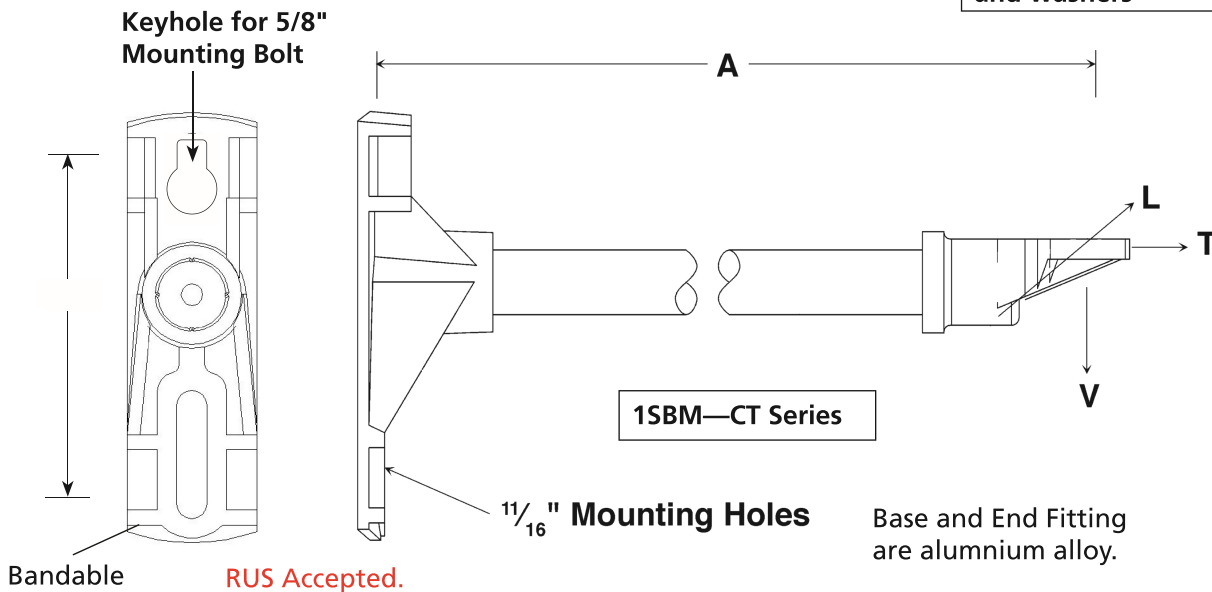
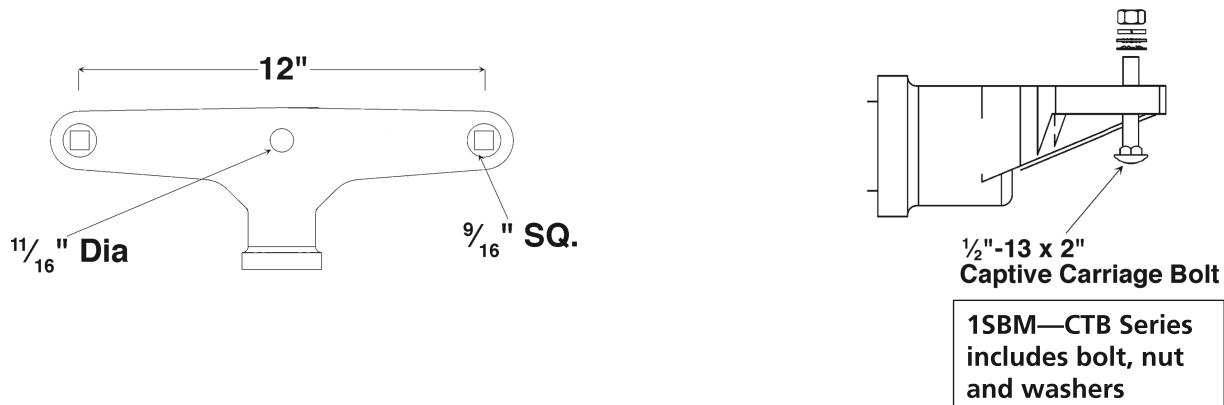


2 Position Single-Phase Cutout / Arrester Bracket (0°)



Bandable RUS Accepted.

Catalog Number	Length A	Minimum Ultimate*			Weight (Each)
		Vertical V	Longitudinal L	Transverse T	
Medium Duty 1 1/2" (38 mm) Dia. Fiberglass Rod					
1SBM12CT	12" (30.5 cm)	1800 lbs. (816 kg)	1400 lbs. (635 kg)	10,000 lbs. (4536 kg)	3.6 lbs. (1.6 kg)
1SBM15CT	15" (38.1 cm)	1500 lbs. (680 kg)	1200 lbs. (544 kg)	10,000 lbs. (4536 kg)	4.0 lbs. (1.8 kg)
1SBM18CT	18" (45.7 cm)	1200 lbs. (544 kg)	1000 lbs. (454 kg)	10,000 lbs. (4536 kg)	4.4 lbs. (2.0 kg)
1SBM21CT	21" (53.3 cm)	1050 lbs. (476 kg)	700 lbs. (317 kg)	10,000 lbs. (4536 kg)	4.7 lbs. (2.1 kg)
1SBM24CT	24" (61.0 cm)	900 lbs. (408 kg)	500 lbs. (227 kg)	10,000 lbs. (4536 kg)	5.0 lbs. (2.3 kg)
1SBM12CTB	12" (30.5 cm)	1800 lbs. (816 kg)	1400 lbs. (635 kg)	10,000 lbs. (4536 kg)	3.6 lbs. (1.6 kg)
1SBM15CTB	15" (38.1 cm)	1500 lbs. (680 kg)	1200 lbs. (544 kg)	10,000 lbs. (4536 kg)	4.0 lbs. (1.8 kg)
1SBM18CTB	18" (45.7 cm)	1200 lbs. (544 kg)	1000 lbs. (454 kg)	10,000 lbs. (4536 kg)	4.4 lbs. (2.0 kg)
1SBM21CTB	21" (53.3 cm)	1050 lbs. (476 kg)	700 lbs. (317 kg)	10,000 lbs. (4536 kg)	4.7 lbs. (2.1 kg)
1SBM24CTB	24" (61.0 cm)	900 lbs. (408 kg)	500 lbs. (227 kg)	10,000 lbs. (4536 kg)	5.0 lbs. (2.3 kg)

*Recommended maximum working load is 50% of minimum ultimate ratings listed.

Consult factory for additional lengths.

Add "SC" suffix to the end of the catalog number to denote Silicone Coated rod

