

**Product Datasheet**
**CHANCE**
**BP3R1CM -- By-Pass Switch**

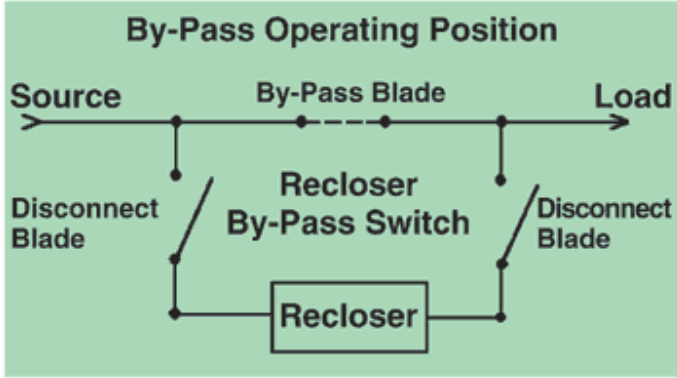
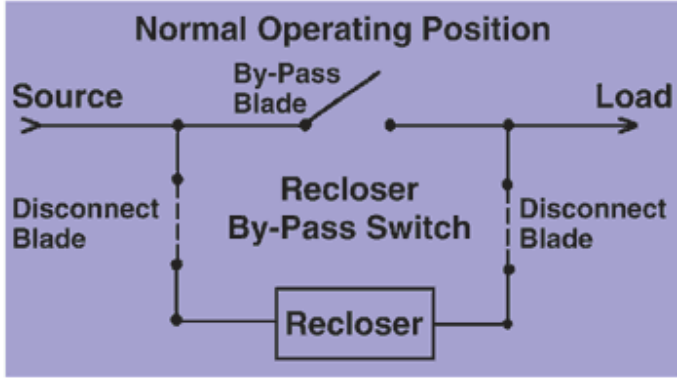

Righthand Opening, 14.4kV, 110kV LIW, 600A By-Pass Switch with Pole Mounting Bracket.

**Product Specifications**

<b>Overhead Product</b>	3-Pull By-Pass Switch (Distribution Class)
<b>Voltage(BIL)</b>	15kV (110kV)
<b>Blade Opening Direction</b>	Right
<b>Captive Hardware</b>	Yes
<b>Terminal Connectors (ATC 1343)</b>	No
<b>Mounting Provisions</b>	Pole Mounting Bracket
<b>Nominal Voltage</b>	14.4kV
<b>Maximum System Voltage</b>	17.1kV
<b>BIL (LIW)</b>	110kV
<b>Rated 60 Htz Withstand; Dry (Wet)</b>	50kV (45kV)
<b>Continuous Current Rating</b>	600 A
<b>8hr Emergency Overload</b>	1080 A
<b>Peak Withstand Current</b>	65kA peak
<b>Short Time Withstand Current (1 sec)</b>	25kA, symmetrical
<b>Maximum Temperature Rise @ 600A</b>	33°C
<b>Insulator</b>	ESP™ Polymer (2 1/4" Bolt Circle)
<b>Insulator Color</b>	Dark Gray
<b>Leakage Distance (Insulator)</b>	17.2" (436.9mm)
<b>Dry Arcing Distance (Insulator)</b>	7.1" (180.3mm)
<b>Cantilever (Insulator)</b>	1,200 Lbs (5.34 kN)
<b>Tension (Insulator)</b>	5000 Lbs ( 22.24kN)
<b>Torsion (Insulator)</b>	3,000 in Lbs (339 N-M)
<b>Compression (Insulator)</b>	5,000 Lbs (22.24kN)
<b>Base Material</b>	Galvanized Steel per ASTM A153
<b>Blade(s)</b>	Solid Copper (two blade truss-member)
<b>Hinge(s)</b>	Silver / Silver
<b>Contact(s)</b>	Silver / Silver
<b>Terminal Pads</b>	NEMA two-hole, Tin-plated Copper
<b>Governing Standards</b>	All Applicable ANSI/IEEE Standards
<b>Drawing</b>	Click <a href="#">HERE</a> to view drawing of switch
<b>Switch Weight</b>	56 Lbs (25.4 kg)
<b>Crated Weight</b>	120.54 lbs
<b>Crate Dimensions (LxWxH)</b>	28" (711mm) x 28" (711mm) x 22" (559mm)
<b>Material Type</b>	Non-Standard

UPC Code	09635938749
Standard Package	1
Standard Package Unit	Each
Min Order Qty	1
Weight / Ea.	120.54 lbs

**Compressed Product Number**  
BP3R1CM



[Catalog Home](#)



[Warranty Info](#) | [Trademarks](#) | [Terms of Use](#)

All contents Copyright © 2007 Hubbell Power Systems, Inc. All rights reserved.

NOTE: Because Hubbell has a policy of continuous product improvement, we reserve the right to change design and specifications without notice.