

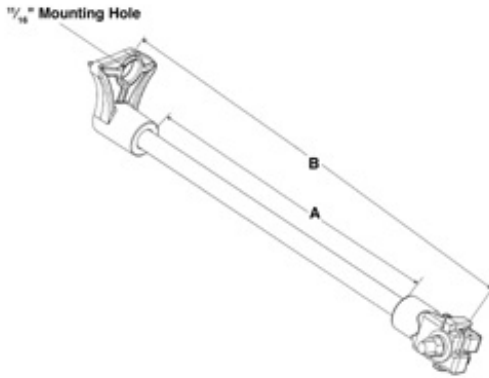


[Catalog Home](#)

Product Datasheet

CHANCE

DLM12BC -- Downlead Bracket



The Down Lead Bracket is designed and intended to be used to stand the pole ground, or the ground wire for an overhead shield wire, away from the power pole. It is typically used in the area where the ground wire passes by the energized phase conductors. Its purpose is to position the ground wire relative to the phase conductors to obtain optimum power frequency and/or lighting impulse flashover characteristics. The Down Lead Bracket must never be used to support energized conductors. The Down Lead Bracket consists of a fiberglass reinforced plastic rod and galvanized ductile iron end fittings. The conductor clamp accommodates the following range of wire sizes: Minimum: 0.128" diameter (#8 solid, #6 EC stranded, #6 ACSR). Maximum: 0.398" diameter (2/0 solid, 1/0 EC stranded, 1/0 ACSR).

Product Specifications

Product Type	Downlead Bracket
Rod Diameter	Medium Duty - 5/8" (16 mm) Dia. Rod
Length	12" (305 mm)
Dimension A	12" (305 mm)
Dimension B	16.4" (417 mm)
Minimum Conductor Size	.128" (3.25 mm)
Maximum Conductor Size	.398" (10.11 mm)
Material Type	Non-Standard
UPC Code	096359440345
Standard Package	5
Standard Package Unit	EA
Min Order Qty	10
Weight / Ea.	1.9 lbs
Instruction Sheet	Click HERE to view Instruction Sheet.

Compressed Product Number

DLM12BC

[Catalog Home](#)



[Warranty Info](#) | [Trademarks](#) | [Terms of Use](#)

All contents Copyright © 2007 Hubbell Power Systems, Inc. All rights reserved.

NOTE: Because Hubbell has a policy of continuous product improvement, we reserve the right to change design and specifications without notice.