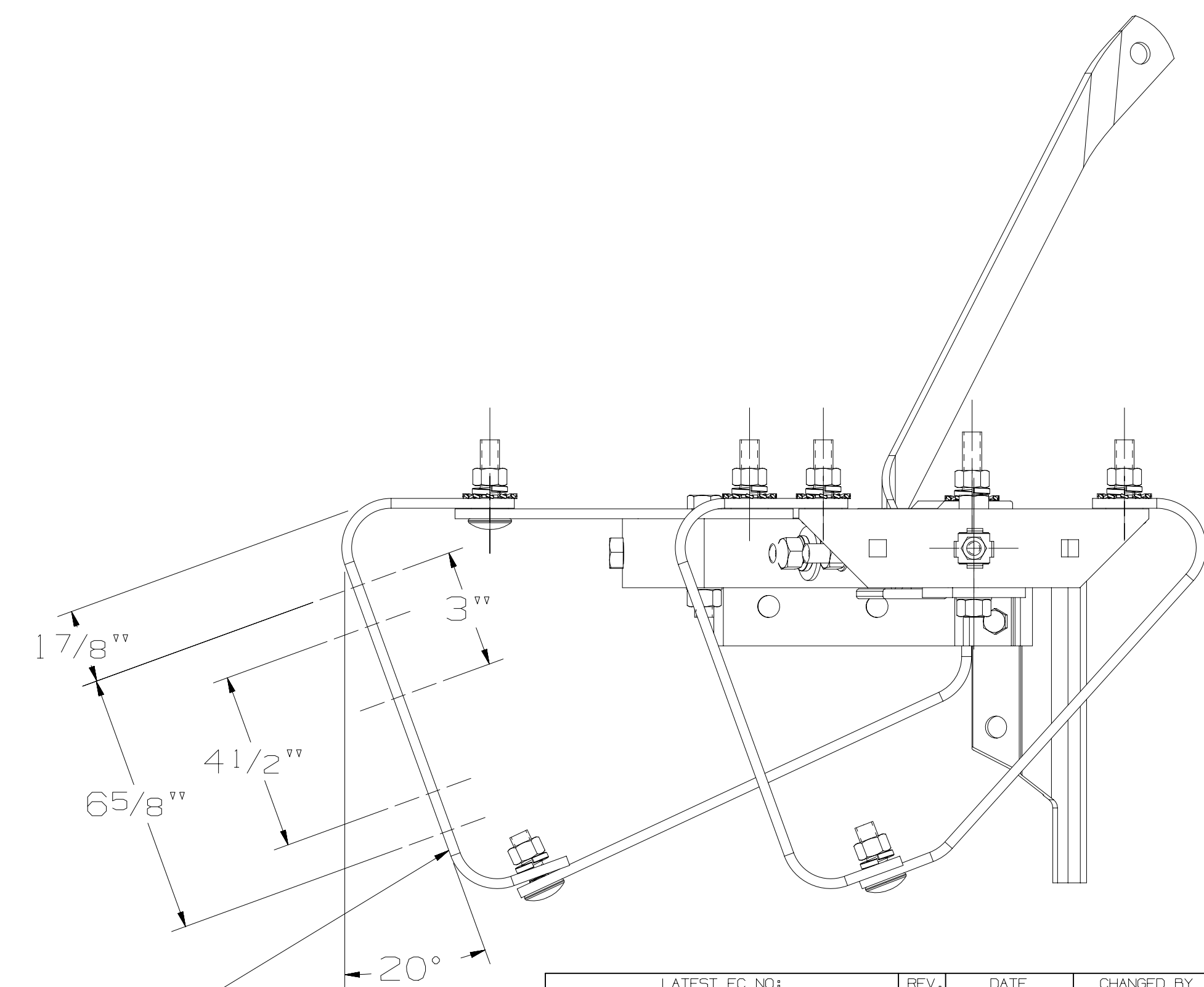
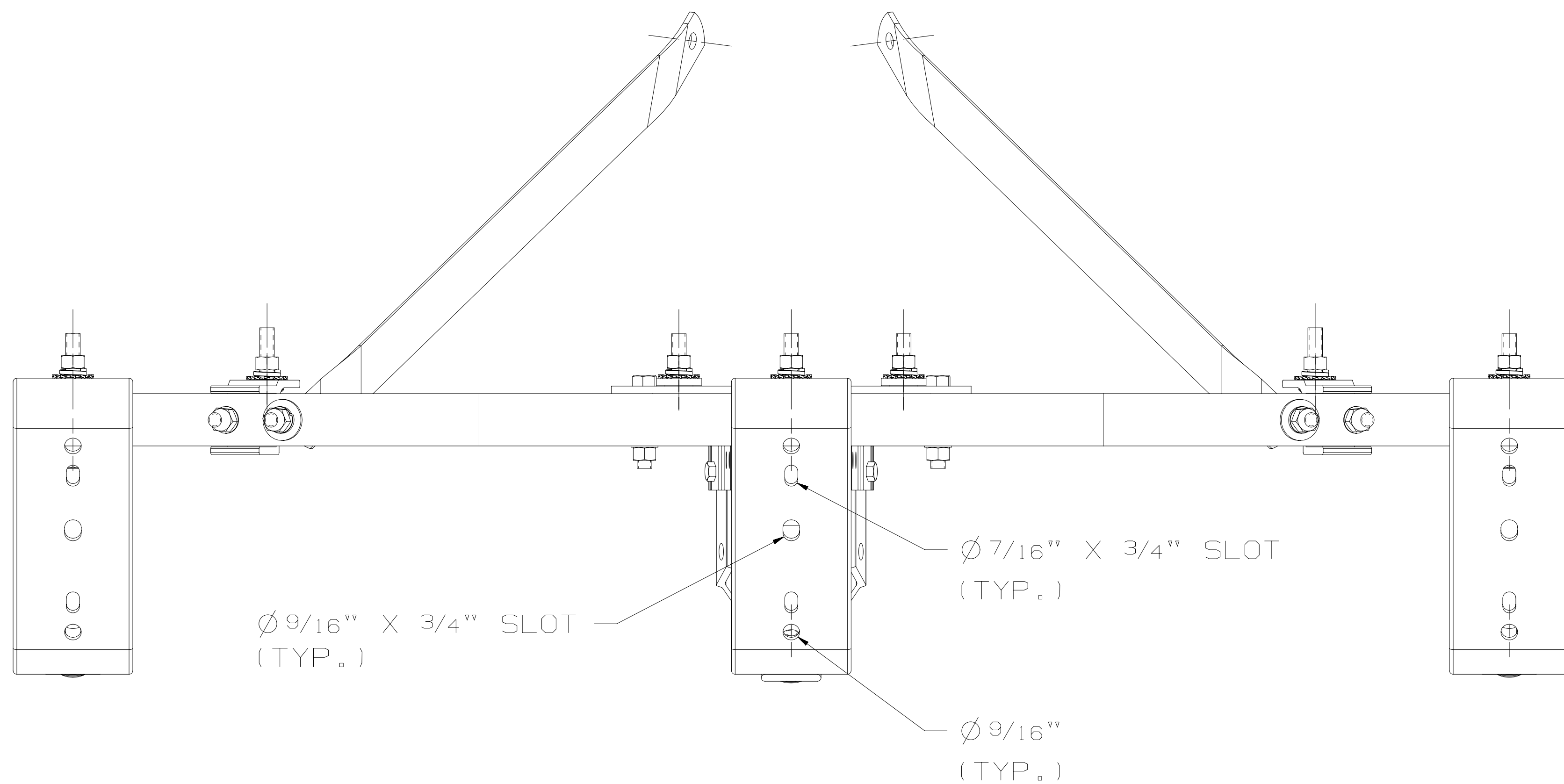


NOTES:

- 1.) MATERIAL: EQUIPMENT MOUNT BODY, ALUMINUM
HARDWARE, GALVANIZED STEEL.
- 2.) ASSEMBLED COMPLETE AS SHOWN.

CATALOG NUMBER: CR3CSA48



FRONT MOUNTS MAY BE REVERSED
FOR VERTICAL MOUNTING POSITION

LATEST EC NO:		REV.	DATE	CHANGED BY	RESP ENGINEER
-----		-	-----	-----	-----
DRN BY:		DATE	TITLE:		SIZE
JUL		04-30-12	CURVED EQUIPMENT MOUNT		D
POWER SYSTEMS		DWG NO:		SACR3CSA-48	

CONFIDENTIAL: THIS DRAWING AND ITS CONTENTS ARE CONFIDENTIAL AND THE EXCLUSIVE PROPERTY OF HUBBELL POWER SYSTEMS, INC. NO PUBLICATION, DISTRIBUTION OR REPRODUCTION OF THIS DRAWING OR ANY PART THEREOF IS PERMITTED WITHOUT THE WRITTEN CONSENT OF HUBBELL POWER SYSTEMS, INC. © 2012 HUBBELL POWER SYSTEMS. UNPUBLISHED. ALL RIGHTS RESERVED UNDER THE COPYRIGHT LAWS.