



**Product Datasheet**

**ANDERSON FARGO**

**MS60C -- Suspension Clamp**



Suspension Clamp, Ductile Iron, for use with conductors 0.2 - 0.6 with fitting: Clevis

**Product Specifications**

Series



MS series  
Ground Wire Suspension  
Ductile Iron

PDF Catalog Page

[Click HERE to view the web page.](#)

Fitting

Clevis

Clamp Material

Ductile Iron

Fitting Catalog No.

CA-04

Ultimate Body Strength

16,000 lbs (7,258 kgs)

Maximum Take-off Angle 0

30

Dimension H

2.00 in (50.8 mm)

Dimension L

6.44 in (163.5 mm)

Dimension W

0.88 in (22.2 mm)

Hardware Material

Galvanized Steel

Minimum - Maximum Conductor Size

Alumoweld 3 # 10 Thru Alumoweld 3 # 6 w/Armor Rods  
EHS 1/4 inch str (3) Thru EHS 3/8 inch str (7) w/Armor Rods

Clamping Range

0.20 - 0.60 in (5.08 - 15.24 mm)

Material Type

Non-Standard

UPC Code

09635932222

Standard Package

1

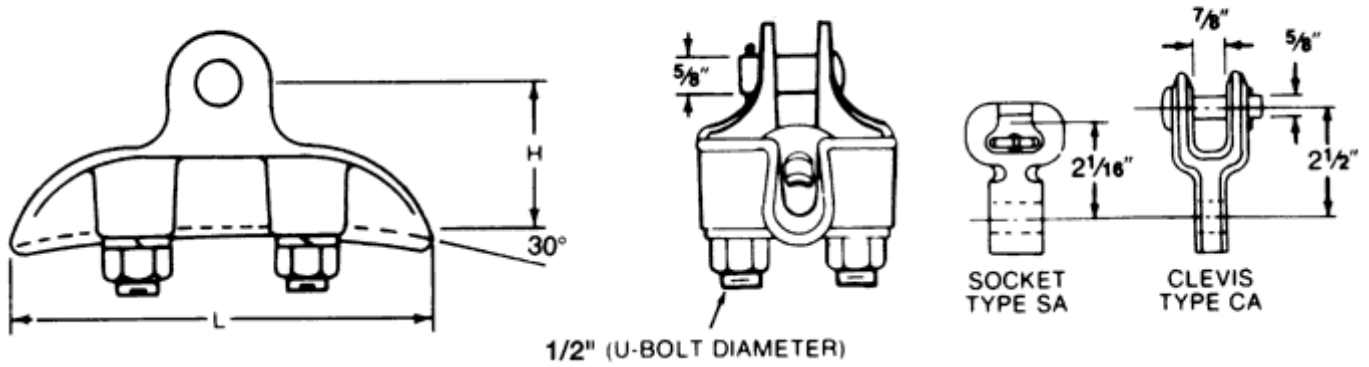
Standard Package Unit

Each

Min Order Qty	1
Weight / Ea.	4.018 lbs

**Compressed Product Number**

MS60C



[Catalog Home](#)



[Warranty Info](#) | [Trademarks](#) | [Terms of Use](#)

All contents Copyright © 2007 Hubbell Power Systems, Inc. All rights reserved.

NOTE: Because Hubbell has a policy of continuous product improvement, we reserve the right to change design and specifications without notice.