



[Catalog Home](#)

Product Datasheet



ANDERSON FARGO

LC74BXB -- Connector, Parallel Groove



Single U-Bolt Aluminum Parallel Groove Connector

Product Specifications

<p>Category Image</p>	 <p>Mechanical Connectors For AL to AL or AL to CU connections</p>
<p>Series Image (AL Mech)</p>	 <p>LC-70 Series Aluminum Single U-Bolt Parallel Groove Connector For AL to AL or AL to CU connections</p>
<p>Material</p>	<p>Aluminum</p>
<p>PDF Catalog</p>	

Page	Click HERE to view the web page.
Plating	No
Inhibitor	Yes
Run Conductor Size and Type	AAC 1 str (7), AAC 1 str (19), AAC 1/0 str (7), AAC 1/0 str (19), AAAC 1 str(7), AAAC 1/0 str(7), ACSR 2 (7/1), ACSR 1 (6/1), ACSR 1/0 (6/1), AAC 1/0 str (19) compact, AAC 2/0 str (19) compact, AAC 2/0 str (7), AAC 2/0 str (19), AAC 6 sol w/Armor Rods, AAC 5 sol w/Armor Rods, AAC 6 str (7) w/Armor Rods, AAC 4 sol w/Armor Rods, AAAC 6 str(7) w/Armor Rods, ACSR 2/0 (6/1), ACSR 6 (6/1) w/Armor Rods, AAC 3/0 str (19) compact, AAC 3/0 str (7), AAC 3/0 str (19), AAC 4/0 str (7), AAC 4/0 str (19), AAC 250 kcmil (19), AAC 250 kcmil (37), AAC 266.8 kcmil (19), AAC 266.8 kcmil (37), AAC 300 kcmil (37), AAC 300 kcmil (61), AAC 336.4 kcmil (19), AAC 350 kcmil (19), AAC 350 kcmil (37), AAC 397.5 kcmil (19), AAC 400 kcmil (37), AAC 3 sol w/Armor Rods, AAC 4 str (7) w/Armor Rods, AAC 3 str (7) w/Armor Rods, AAC 2 str (7) w/Armor Rods, AAC 1 str (7) w/Armor Rods, AAC 1 str (19) w/Armor Rods, AAC 1/0 str (7) w/Armor Rods, AAC 1/0 str (19) w/Armor Rods, AAC 2/0 str (7) w/Armor Rods, AAC 2/0 str (19) w/Armor Rods, AAAC 2/0 str(7), AAAC 3/0 str(7), AAAC 4/0 str(7), AAAC 307.1 kcmil str (19), AAAC 312.8 kcmil str (19), AAAC 394.6 kcmil str (19), AAAC 5 str(7) w/Armor Rods, AAAC 4 str(7) w/Armor Rods, AAAC 3 str(7) w/Armor Rods, AAAC 2 str(7) w/Armor Rods, AAAC 1 str(7) w/Armor Rods, AAAC 1/0 str(7) w/Armor Rods, ACSR 101.8 kcmil (12/7), ACSR 110.8 kcmil (12/7), ACSR 134.6 kcmil (12/7), ACSR 4/0 (6/1), ACSR 159.0 kcmil (12/7), ACSR 176.9 kcmil (12/7), ACSR 266.8 kcmil (18/1), ACSR 190.8 kcmil (12/7), ACSR 266.8 kcmil (6/7), ACSR 266.8 kcmil (26/7), ACSR 211.3 kcmil (12/7), ACSR 300.0 kcmil (26/7), ACSR 336.4 kcmil (18/1), ACSR 203.2 kcmil (16/19), ACSR 336.4 kcmil (26/7), ACSR 336.4 kcmil (30/7), ACSR 4 (6/1) w/Armor Rods, ACSR 4 (7/1) w/Armor Rods, ACSR 2 (6/1) w/Armor Rods, ACSR 2 (7/1) w/Armor Rods, ACSR 1 (6/1) w/Armor Rods, ACSR 1/0 (6/1) w/Armor Rods, AAC 4/0 str (19) compact, AAC 250 kcmil (37) compact, AAC 300 kcmil (37) compact, AAC 350 kcmil (37) compact, AAC 400 kcmil (37) compact, AAC 450 kcmil (37) compact
Tap Conductor Size and Type	ACSR 2 (7/1), Cu 1/0 sol, AAC 1 str (7), AAC 1 str (19), AAC 1/0 str (7), AAC 1/0 str (19), AAAC 1 str(7), AAAC 1/0 str(7), ACSR 1 (6/1), ACSR 1/0 (6/1), Cu 1 str (7), Cu 1 str (19), Cu 2/0 sol, Cu 1/0 str (7), Cu 1/0 str (19), Cu 8 sol w/Armor Rods, Cu 8 str (7) w/Armor Rods, Cu 6 sol w/Armor Rods, Cu 6 str (7) w/Armor Rods, AAC 1/0 str (19) compact, AAC 2/0 str (19) compact, AAC 2/0 str (7), AAC 2/0 str (19), AAC 6 sol w/Armor Rods, AAC 5 sol w/Armor Rods, AAC 6 str (7) w/Armor Rods, AAC 4 sol w/Armor Rods, AAAC 6 str(7) w/Armor Rods, ACSR 2/0 (6/1), ACSR 6 (6/1) w/Armor Rods, Cu 3/0 sol, Cu 2/0 str (7), Cu 2/0 str (19), Cu 4 sol w/Armor Rods, Cu 4 str (7) w/Armor Rods, AAC 3/0 str (19) compact, AAC 3/0 str (7), AAC 3/0 str (19), AAC 4/0 str (7), AAC 4/0 str (19), AAC 250 kcmil (19), AAC 250 kcmil (37), AAC 266.8 kcmil (19), AAC 266.8 kcmil (37), AAC 300 kcmil (37), AAC 300 kcmil (61), AAC 336.4 kcmil (19), AAC 350 kcmil (19), AAC 350 kcmil (37), AAC 397.5 kcmil (19), AAC 400 kcmil (37), AAC 3 sol w/Armor Rods, AAC 4 str (7) w/Armor Rods, AAC 3 str (7) w/Armor Rods, AAC 2 str (7) w/Armor Rods, AAC 1 str (7) w/Armor Rods, AAC 1 str (19) w/Armor Rods, AAC 1/0 str (7) w/Armor Rods, AAC 1/0 str (19) w/Armor Rods, AAC 2/0 str (7) w/Armor Rods, AAC 2/0 str (19) w/Armor Rods, AAAC 2/0 str(7), AAAC 3/0 str(7), AAAC 4/0 str(7), AAAC 307.1 kcmil str (19), AAAC 312.8 kcmil str (19), AAAC 394.6 kcmil str (19), AAAC 5 str(7) w/Armor Rods, AAAC 4 str(7) w/Armor Rods, AAAC 3 str(7) w/Armor Rods, AAAC 2 str(7) w/Armor Rods, AAAC 1 str(7) w/Armor Rods, AAAC 1/0 str(7) w/Armor Rods, ACSR 101.8 kcmil (12/7), ACSR 110.8 kcmil (12/7), ACSR 3/0 (6/1), ACSR 134.6 kcmil (12/7), ACSR 4/0 (6/1), ACSR 159.0 kcmil (12/7), ACSR 176.9 kcmil (12/7), ACSR 266.8 kcmil (18/1), ACSR 190.8 kcmil (12/7), ACSR 266.8 kcmil (6/7), ACSR 266.8 kcmil (26/7), ACSR 211.3 kcmil (12/7), ACSR 300.0 kcmil (26/7), ACSR 336.4 kcmil (18/1), ACSR 203.2 kcmil (16/19), ACSR 336.4 kcmil (26/7), ACSR 336.4 kcmil (30/7), ACSR 4 (6/1) w/Armor Rods, ACSR 4 (7/1) w/Armor Rods, ACSR 2 (6/1) w/Armor Rods, ACSR 2 (7/1) w/Armor Rods, ACSR 1 (6/1) w/Armor Rods, ACSR 1/0 (6/1) w/Armor Rods, Cu 4/0 sol, Cu 3/0 str (7), Cu 3/0 str (19), Cu 4/0 str (7), Cu 4/0 str (19), Cu 250 kcmil (19), Cu 250 kcmil (37), Cu 300 kcmil (19), Cu 300 kcmil (37), Cu 350 kcmil (19), Cu 350 kcmil (37), Cu 400 kcmil (19), Cu 400 kcmil (37), Cu 2 sol w/Armor Rods, Cu 1 sol w/Armor Rods, Cu 2 str (7) w/Armor Rods, Cu 1/0 sol w/Armor Rods, Cu 1 str (7) w/Armor Rods, Cu 1 str (19) w/Armor Rods, Cu 2/0 sol w/Armor Rods, Cu 1/0 str (7) w/Armor Rods, Cu 1/0 str (19) w/Armor Rods, Cu 3/0 sol w/Armor Rods, Cu 2/0 str (7) w/Armor Rods, Cu 2/0 str (19) w/Armor Rods, AAC 4/0 str (19) compact, AAC 250 kcmil (37) compact, AAC 300 kcmil (37) compact, AAC 350 kcmil (37) compact, AAC 400 kcmil (37) compact, AAC 450 kcmil (37) compact
Run Conductor Minimum Size	.325 in
Run Conductor Maximum Size	.741 in
Tap Conductor Minimum Size	.325 in
Tap Conductor Maximum Size	.741 in
Run Conductor Type	AAAC, AAC, ACAR, ACSR, Compact
Tap Conductor Type	AAAC, AAC, ACAR, ACSR, Compact, CU
Style	Single U-Bolt
Cover Available	No
UL Listed	No

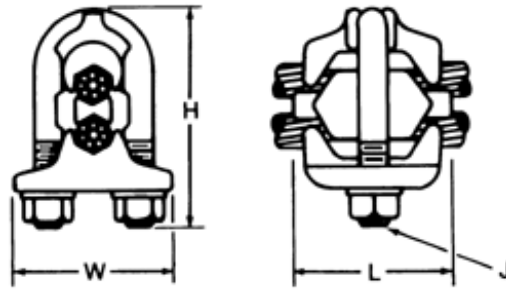
Body Material	AL Alloy
Body and Keeper Material	AL Alloy
Body Members Material	AL Alloy
Body Halves Material	AL Alloy
Spacer Material	AL Alloy
Bolt Material	Galvanized Steel
Casting Material	AL Alloy
Bottom Member Material	AL Alloy
Hardware Material	Galvanized Steel
Dimension H	4.00 in (102 mm)
Dimension J	0.50 in (13 mm)
Dimension L	2.75 in (70 mm)
Dimension W	2.62 in (67 mm)
Bolt Size	0.50 in (13 mm)
Bolt Head	U-Bolt
Bolt Diameter	0.50 in (13 mm)
Material Type	Non-Standard
UPC Code	09635931997
Standard Package	1
Standard Package Unit	Each
Min Order Qty	1
Weight / Ea.	1.019 lbs

Notes

For AL to AL and AL to CU splice/tap connections.

Compressed Product Number

LC74BxB



[Catalog Home](#)



[Warranty Info](#) | [Trademarks](#) | [Terms of Use](#)

All contents Copyright © 2007 Hubbell Power Systems, Inc. All rights reserved.

NOTE: Because Hubbell has a policy of continuous product improvement, we reserve the right to change design and specifications without notice.