



[Catalog Home](#)

**Product Datasheet**

**ANDERSON FARGO**

**YCS2290 -- Y-Clevis Eye**



Y-Clevis Eye, Rotated, Ductile Iron, 0.750" Curved Bolt, Eye: 2.250" with 0.688" Hole, UTS 30,000 lb

**Product Specifications**

**Hardware Family**



**Clevis Eye &  
Y-Clevis Eye**  
Coupling Fittings

**Clevis Eye Fittings**

YCS1090  
Photo Sample

**YCS-90 Series**  
Y-Clevis Eye, Rotated  
Coupling Fittings

**PDF Catalog Page**

[Click HERE to view the web page.](#)

**Ultimate Strength**

30,000 lb ( 13,608 kg)

**Coupling Length**

2.438 in (61.91 mm)

**Eye Width**

2.250 in (57.15 mm)

**Eye Hole Diameter**

0.688 in (17.48 mm)

**Dimension B**

1.625 in (41.28 mm)

**Dimension R**

0.813 in (20.64 mm)

**Dimension W**

2.250 in (57.15 mm)

**Dimension PD**

0.750 in (19.05 mm)

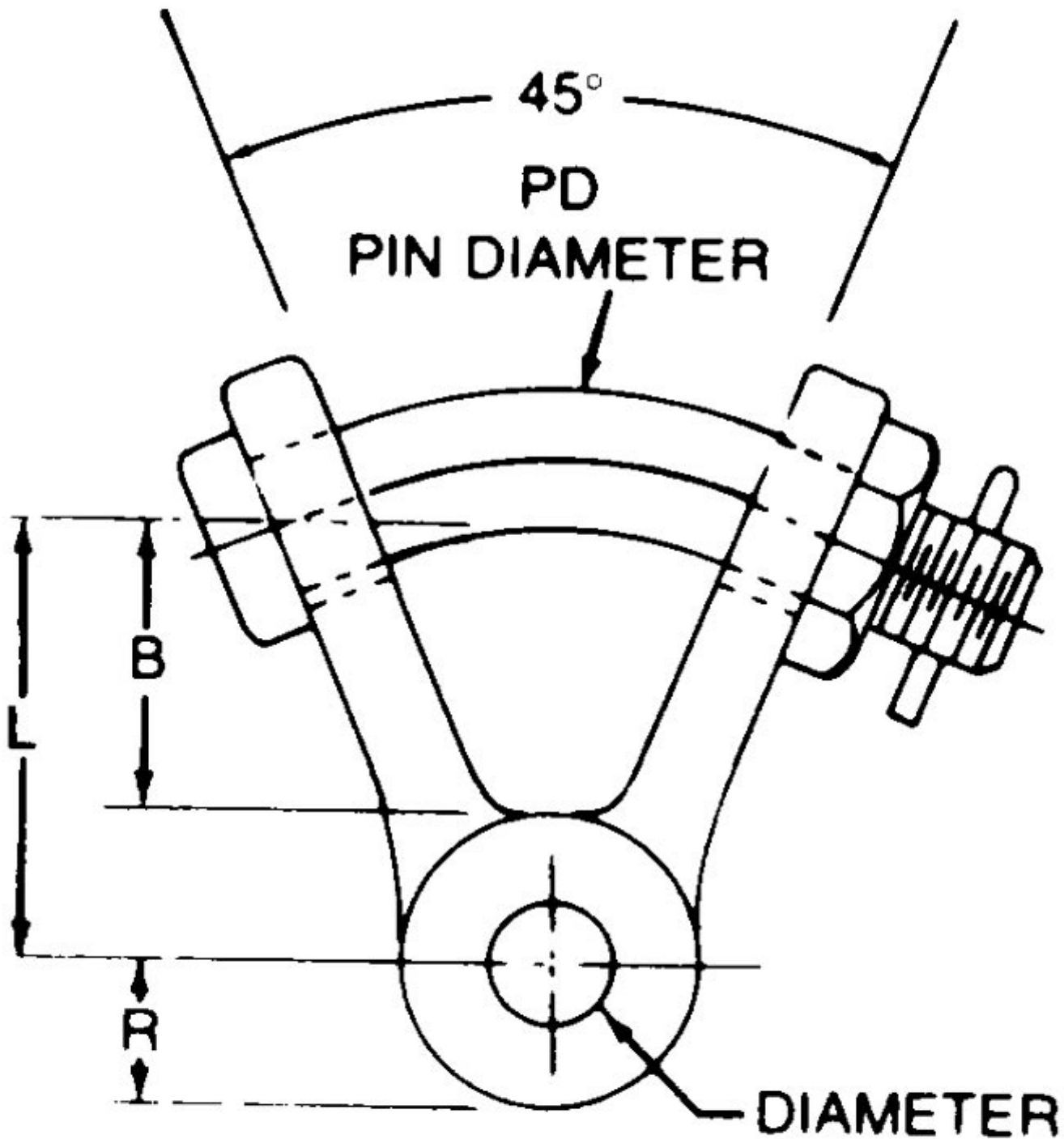
**Material**

Ductile Iron

<b>Cotter Pin Material</b>	Stainless Steel
<b>Clevis Pin Material</b>	Galvanized Steel
<b>Material Type</b>	Non-Standard
<b>UPC Code</b>	09635934472
<b>Standard Package</b>	12
<b>Standard Package Unit</b>	Each
<b>Min Order Qty</b>	1
<b>Weight / Ea.</b>	4.018 lbs

<b>Compressed Product Number</b>
----------------------------------

YCS2290
---------



**FIGURE 2 YCS-90**

[Catalog Home](#)



[Warranty Info](#) | [Trademarks](#) | [Terms of Use](#)

*All contents Copyright © 2007 Hubbell Power Systems, Inc. All rights reserved.*

NOTE: Because Hubbell has a policy of continuous product improvement, we reserve the right to change design and specifications without notice.