



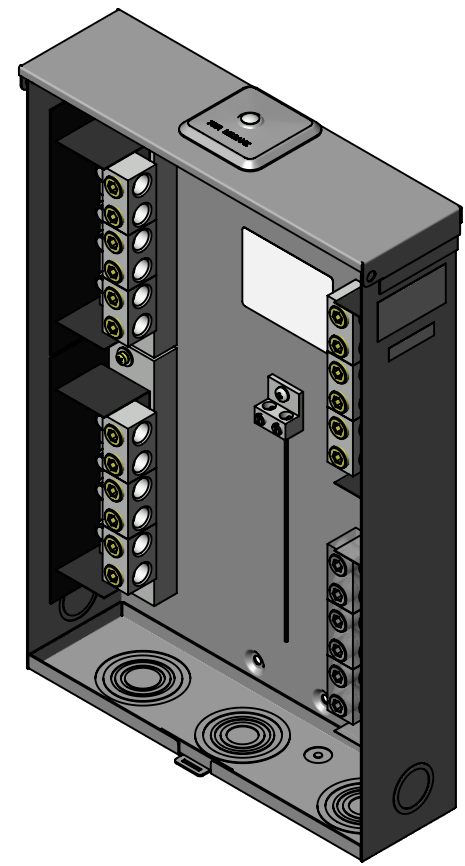
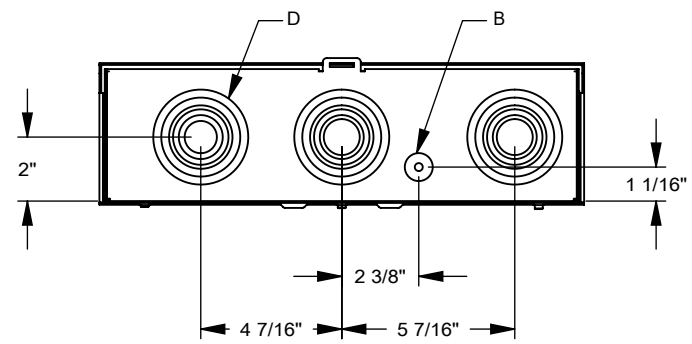
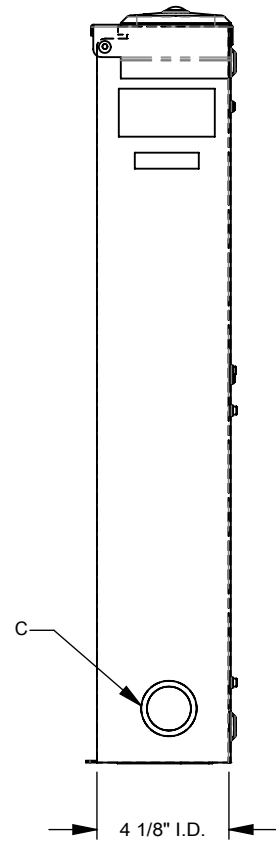
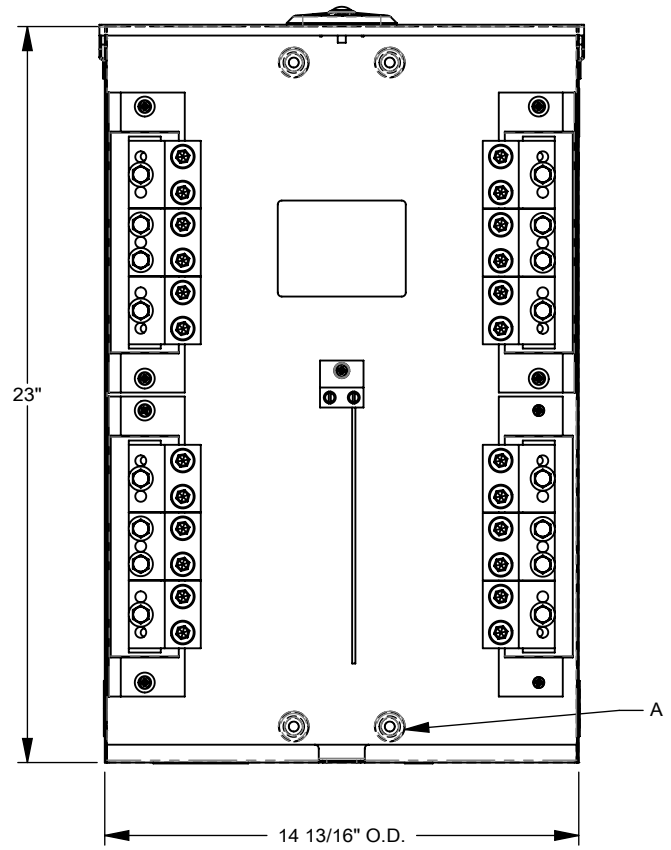
Catalog Number: U4540-XL
Item Description: 200A 1PH 600V TERMINAL
UPC Code: 784572230569

Brand Name: Milbank
Type: Wire Termination
Special Features: Single Phase Three Wire, 10,000 Ampere Short Circuit Current Rating
Application: Line to Load Distribution Enclosure
Standard: UL Listed
Voltage Rating: Up to 600 Volts Alternating Current
Connection: 3 Positions 6 AWG to 350 kcmil Line Side Lugs, 3 positions 6 AWG to 350 kcmil Load Side Lugs
Construction: Type 3R, G90 Galvanized Steel



Utility requirements may vary. Always consult the serving utility for their requirements prior to ordering or installing this equipment. This product must always be installed by a licensed electrician. Installation of this equipment may require local electrical inspector approval.

FEATURE TABLE		
ITEM	QTY	DESCRIPTION
A	4	STD. MNTG. EMBOSS
B	1	¼, ½ CONC. K.O.
C	1	1, 1¼ CONC. K.O.
D	3	¾, 1, 1¼, 1½, 2, 2½ CONC. K.O.



Version:

1

All dimensions are +/- 1/16".
 Drawing views are not to scale.
 Utility requirements for this equipment may vary. Always consult the serving utility for their requirements prior to ordering or installing this equipment. This product must be installed by a licensed electrician. Installation of this equipment may require local electrical inspector approval.