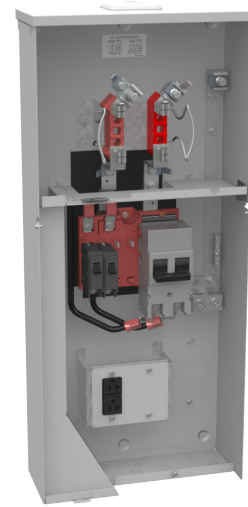




MILBANK
ENERGY AT WORK

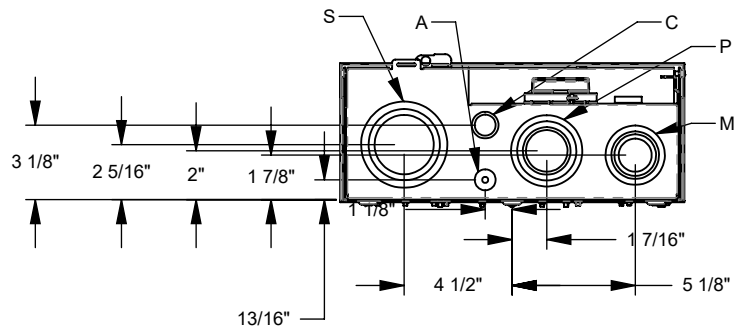
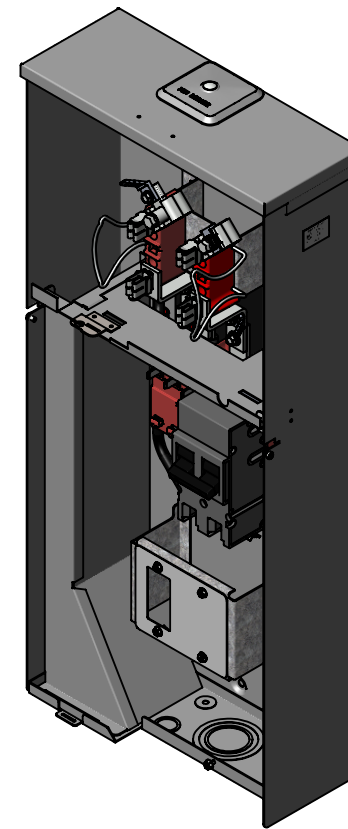
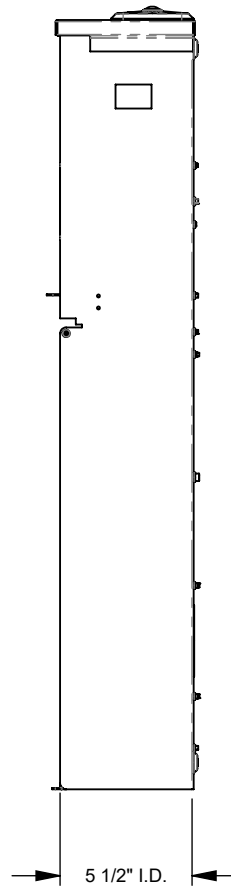
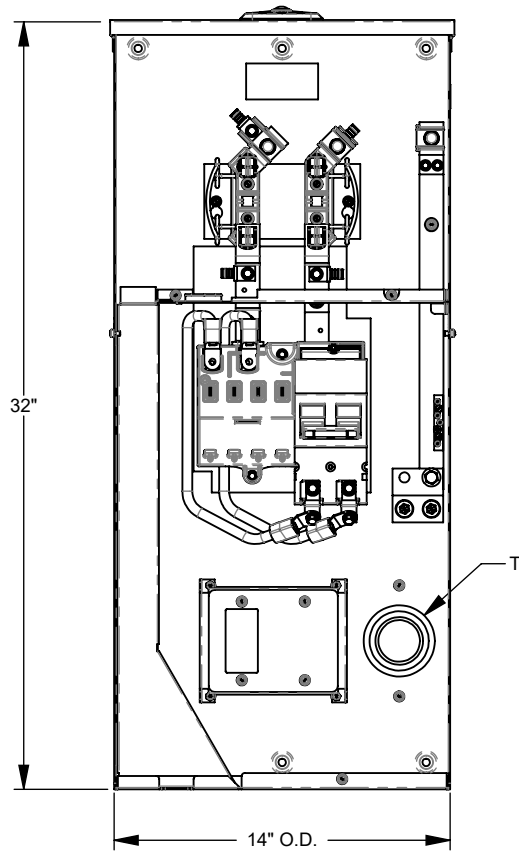
U5098-XL-200S-KK-10GR



| | | | |
|-------------------------------|---|---------------------------|--|
| Catalog Number | U5098-XL-200S-KK-10GR | Mounting | Surface Mount |
| Marketing Product Description | 4 Terminal Ringless Small Closing Plate Horn Bypass 1-200 Ampere Main Breaker 520GR | Enclosure | G90 Galvanized Steel with Powder Coat Finish |
| UPC | 784572320895 | Jaw Quantity | 4 Terminal |
| Length (IN) | 5.5 | Bypass Type | Horn Bypass |
| Width (IN) | 14 | Number of Meter Positions | 1 Position |
| Height (IN) | 32 | Equipment Ground | 2 Barrel Ground Lug |
| Brand Name | Milbank | Hub Opening | Small Closing Plate |
| Type | Ringless Meter Socket | Line Side Wire Range | 6 AWG - 350 kcmil |
| Application | Meter Socket | Load Side Wire Range | 1/0 AWG - 300 kcmil |
| Standard | UL Listed;Type 3R | Number Of Receptacles | 1 |
| Voltage Rating | Up to 240 Volts Alternating Current | Receptacle Configuration | One NEMA 5-20 Ground Fault |
| Amperage Rating | 200 Continuous Ampere | | |
| Phase | 1 Phase | | |
| Frequency Rating | 60 Hertz | | |
| Size | 5.5L x 14W x 32H | | |
| Number Of Cutouts | 1 | | |
| Cutout Size | One 200 Ampere Main Breaker | | |
| Cable Entry | Underground | | |
| Terminal | Lay in | | |
| Insulation | Glass Polyester | | |

Please consult serving utility for their requirements prior to ordering or installing, as specifications and approvals vary by utility and may require local electrical inspector approval. All installations must be installed by a licensed electrician and must comply with all national and local codes, laws and regulations. Milbank reserves the right to make changes in specifications and features shown without notice or obligation.

| FEATURE TABLE | | |
|---------------|-----|--------------------------|
| ITEM | QTY | DESCRIPTION |
| A | 1 | ¼, ½ CONC. K.O. |
| C | 1 | ½, ¾ CONC. K.O. |
| M | 1 | 1, 1¼, 1½, 2 CONC. K.O. |
| P | 1 | 1¼, 1½, 2, 2½ CONC. K.O. |
| S | 1 | 2, 2½, 3 CONC. K.O. |
| T | 1 | 1¼, 1½, 2, 2½ CONC. K.O. |



MILBANK
ENERGY AT WORK

Version:

1

**All dimensions are +/- 1/16".
Drawing views are not to scale.**

Please consult serving utility for their requirements prior to ordering or installing, as specifications and approvals vary by utility, and may require local electrical inspector approval. All installations must be installed by a licensed electrician and must comply with all national and local codes, laws and regulations. Milbank reserves the right to make changes in specifications and features shown without notice or obligation.