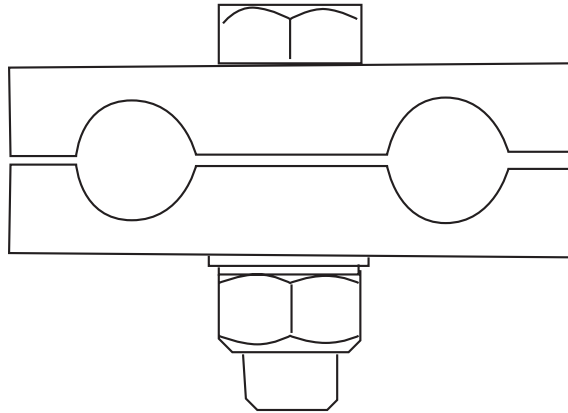




Ground Clamps

GENERAL RECOMMENDATIONS

- Designed For OPGW cable
- Installation torque: 25 ft.-lbs.
- Groove contains oxide inhibitor
- Aluminum alloy material
- 2 Grooves



Groove A:		
OPGW Diameter	Range mm	Inches
A	8.3 – 9.3	0.328 – 0.372
B	9.4 – 10.6	0.373 – 0.418
C	10.7 – 11.8	0.419 – 0.464
D	11.9 – 12.9	0.465 – 0.510
E	13.0 – 14.1	0.511 – 0.557
F	14.2 – 15.2	0.558 – 0.600
H	15.3 – 16.5	0.601 – 0.646
I	16.6 – 17.5	0.647 – 0.690
J	17.6 – 18.3	0.691 – 0.720
K	18.4 – 19.0	0.721 – 0.750
L	19.1 – 20.2	0.751 – 0.796

Groove B:		
Ground Wire	Range mm	Inches
1	3.9 – 5.1	.155 – .203
2	5.2 – 9.8	.204 – .385
3	9.9 – 10.6	.386 – .418
4	10.7 – 11.8	.419 – .464
5	11.9 – 13.0	.465 – .512
6	13.1 – 14.1	.513 – .557
7	14.2 – 15.2	.558 – .600
8	15.3 – 16.4	.601 – .646
9	16.5 – 17.5	.647 – .690

Ordering Guidelines **GC – XX**

Groove A Diameter _____

Groove B Ground Wire _____