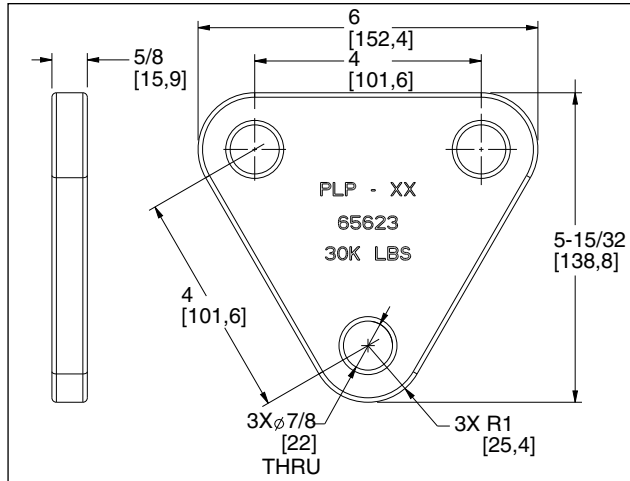
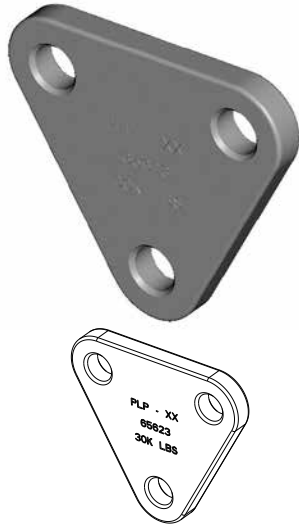




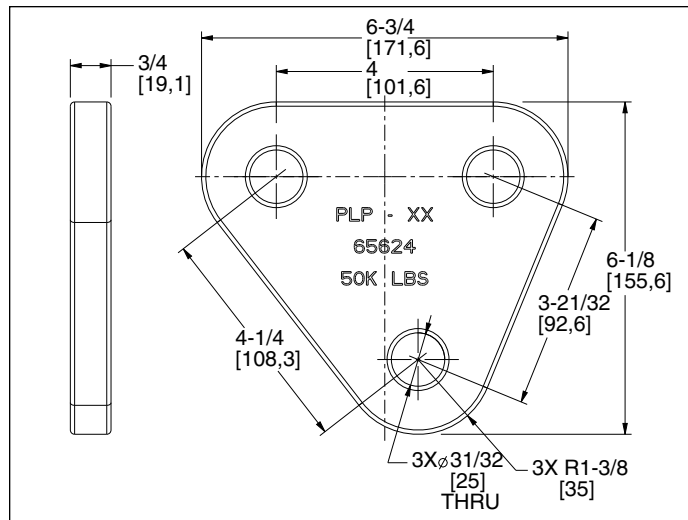
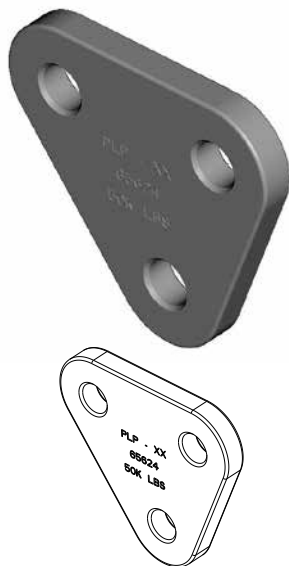
Transmission Line String Hardware

4" (101mm) Yoke Plate, Delta, 30K (Per Hole) – Catalog No. YPD-65623



Features	
Body	Forged steel, hot dip galvanized
Approximate weight	4 lbs (1.81 kg)
Rated breaking strength (RBS)	30,000 lbs (133 kN)

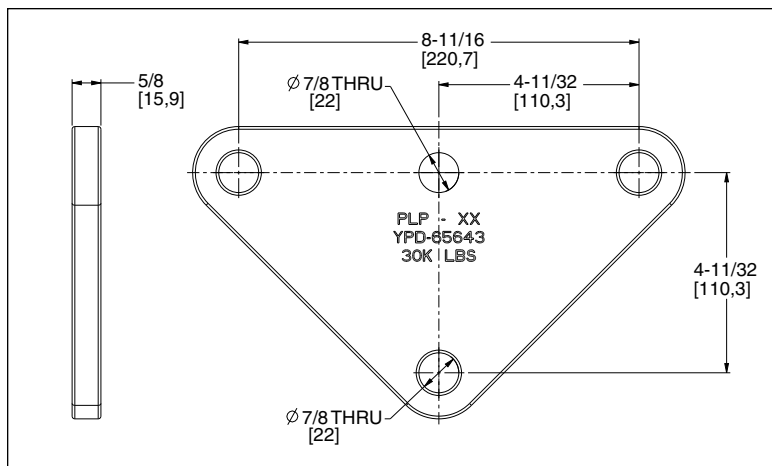
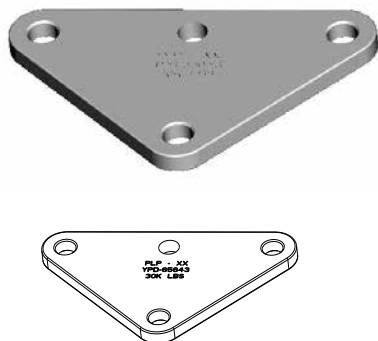
4" (101mm) Yoke Plate, Delta, 50K (Per Hole) – Catalog No. YPD-65624



Features	
Body	Forged steel, hot dip galvanized
Approximate weight	6 lbs (2.72 kg)
Rated breaking strength (RBS)	50,000 lbs (222 kN)

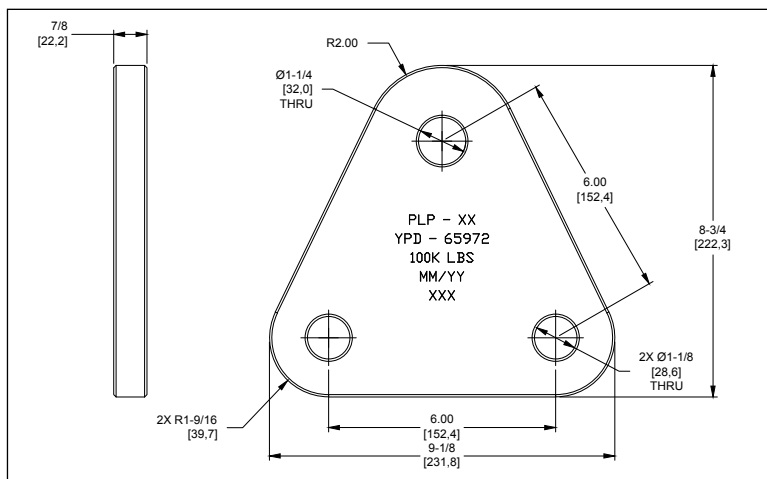
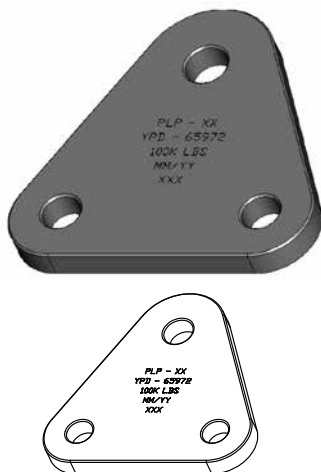
Transmission Line String Hardware

Yoke Plate, Delta, 30K – Catalog No. YPD-65643



Features	
Body	Forged steel, hot dip galvanized
Approximate weight	7 lbs (3.2 kg)
Rated breaking strength (RBS)	30,000 lbs (133 kN)

Yoke Plate, Delta, 100K – Catalog No. YPD-65972



Features	
Body	Forged steel, hot dip galvanized
Approximate weight	13 lbs (5.9 kg)
Rated breaking strength (RBS)	100,000 lbs (444 kN)