



Value and versatility defined

A compact LED floodlight designed to deliver maximum illumination while commanding minimal space. The luminaires' diminutive scale allows them to be effortlessly concealed throughout a site — dramatically accentuating key features while going virtually unnoticed. Available with spot and flood optics, **the luminaires are ideal for an array of commercial and outdoor applications, including landscape, structural accent and flag pole lighting.**



OLB LED replaces up to **90-100W Halogen**



Value and versatility defined

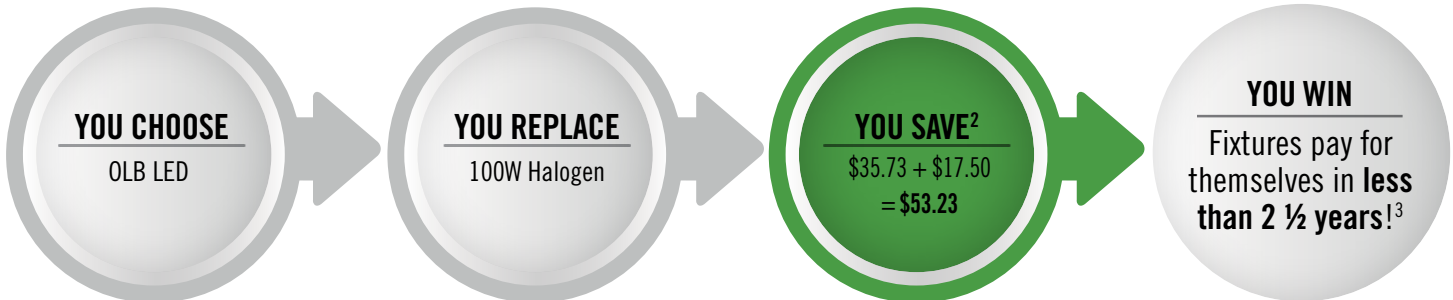
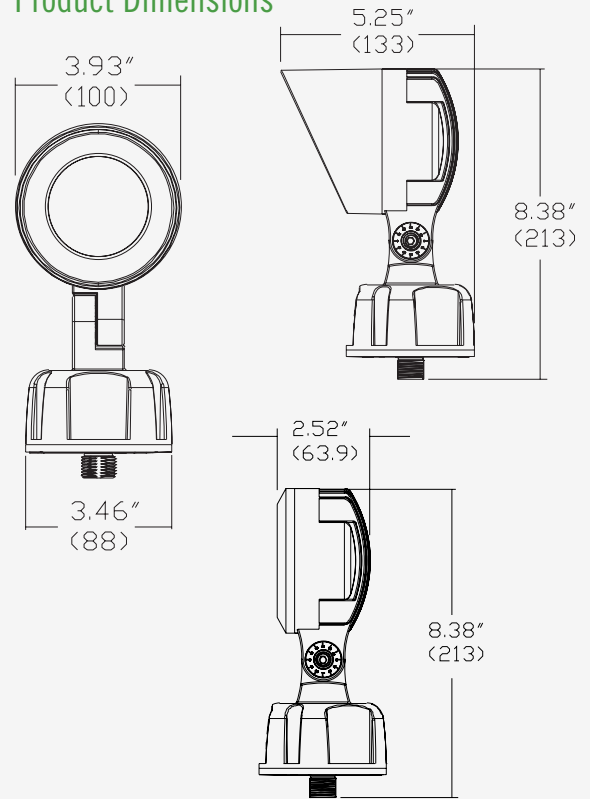


Mounts to junction box cover or slip fitter.

- Up to **839 lumens** with only 11 watts for up to **76 lumens per watt**
- 100,000 hour LED life¹
- **2 x 2 spot optics** for maximum illumination of smaller targets at distances of up to 50 feet.
- **5 x 4 flood optics** for general illumination of larger areas.
- Available in warm 3000K and cool 5000K color temperatures.
- IP65 rated housing protects LEDs and driver from the elements.

¹ LED lifespan based on IESNA LM-80-08 results and calculated per IESNA TM-21-11 methodology.

Product Dimensions



² Annual Energy + Annual Lamp Replacement Cost = Total Annual Savings

³ Based on 12 hours operation per day and energy costs of \$.11 per kWh

ORDERING INFORMATION

Example: OLB 8 30K DDB

Series		Light Engine	Color Temperature		Voltage	Finish
OLBF LED	5x4 Flood Optics	8 4 LEDS	30K	3000K	(blank) MVOLT	DDB Dark Bronze
OLBS LED	2x2 Flood Spot		50K	5000K		

