

25kV	200A Loadbreak Bushing Insert	2701A4
------	-------------------------------	--------



## Features:

- 25kV, 200 Amp Loadbreak Rated
- Blue PBT interface shield reduces sticking
- Blue PBT Interface Shield provides a seating indicator
- Blue PBT Interface Shield indicates 25kV class
- Vent prevents partial vacuum flashover
- Includes hex-broach for torque installation
- Peroxide-cured insulation and jacket
- Provision for ground wire connection

## 2701A4 Loadbreak Bushing Insert

### Applications:

The Elastimold® 2701A4 bushing insert is fully rated with a 25kV class, 200 Amp load break bushing interface. The load break bushing insert fits a standard ANSI bushing well interface and becomes the apparatus bushing interface for elbow connections. It may be used as the bushing interface for connecting shielded cable to the following:

- Sub-surface transformers
- Generators
- Pad mounted transformers
- Regulators
- Switchgear
- Reclosers

Designed for use as an apparatus bushing interface, the 2701A4 is easily installed in an Elastimold® universal bushing well and mated with an appropriate Elastimold® product.

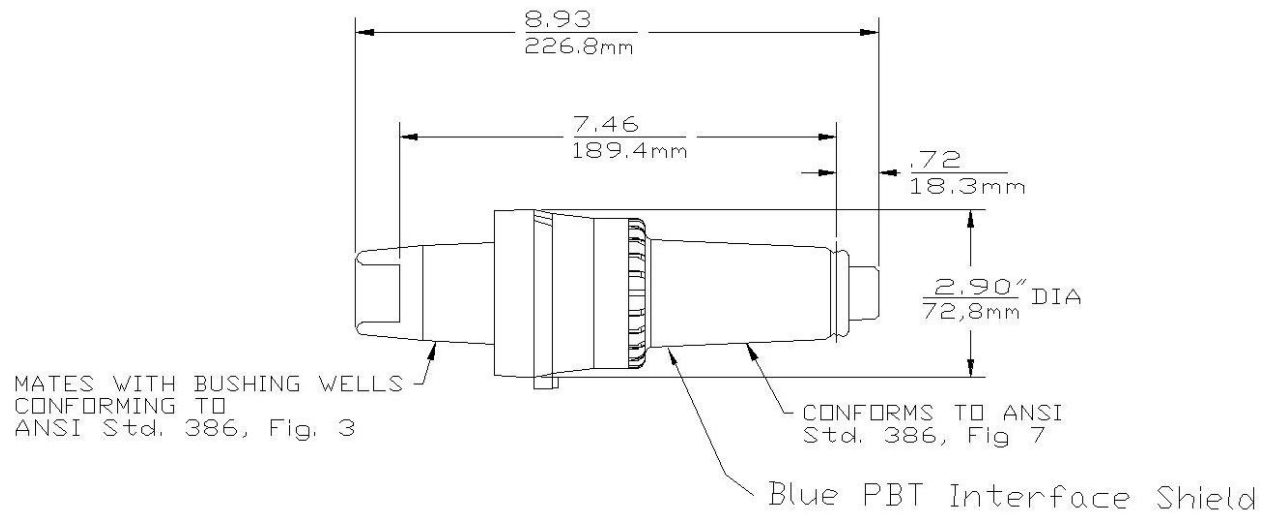
### Ratings:

Meets ANSI/IEEE Standard 386, Latest Revision

#### For 25kV Voltage Class:

15.2kV Max Phase-to-Ground – Operating Voltage  
 26.3kV Max Phase-to-Phase  
 125kV BIL – Impulse Withstand (1.2 x 50 microsecond wave)  
 40kV AC – One minute withstand  
 78kV DC – 15 minutes withstand  
 19kV AC – Corona Extinction @ 3pC sensitivity  
 200 Amp – Continuous and Loadbreak  
 10kA Sym – 10 Cycles Momentary & Fault Close

25kV	200A Loadbreak Bushing Insert	2701A4
------	-------------------------------	--------



### Ordering Instructions:

To order, specify number **2701A4** bushing insert.

#### Each kit contains the following:

- |   |                          |         |
|---|--------------------------|---------|
| 1 | Bushing Insert           | 2701A4  |
| 1 | Protective shipping cap  | 2701-41 |
| 1 | Lubricant                | 82-08   |
| 1 | Installation Instruction | IS-1162 |

#### Notes:

- Includes internal torquing feature using 200AT Assembly Tool