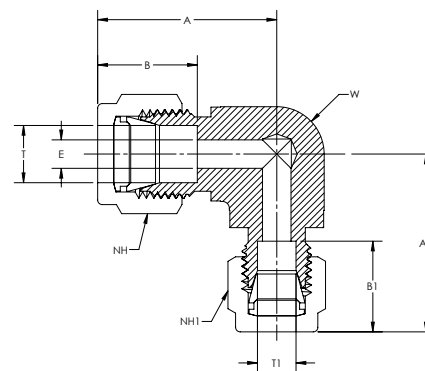


CBC PART NUMBER	INTERCHANGES WITH		CS PART NUMBER	INTERCHANGES WITH		T TUBE O.D.	A	B	E THRU HOLE	NH NUT HEX	W WRENCH FLAT
1-DELU-1	100-9	1EE1	1-SELU-1	1-1 EBZ		1/16	0.80	0.35	0.05	5/16	3/8
2-DELU-2	200-9	2EE2	2-SELU-2	2-2 EBZ		1/8	0.98	0.52	0.09	7/16	3/8
3-DELU-3	300-9	3EE3	3-SELU-3	3-3 EBZ		3/16	1.00	0.54	0.13	1/2	1/2
4-DELU-4	400-9	4EE4	4-SELU-4	4-4 EBZ		1/4	1.06	0.61	0.19	9/16	1/2
5-DELU-5	500-9	5EE5	5-SELU-5	5-5 EBZ		5/16	1.18	0.65	0.25	5/8	5/8
6-DELU-6	600-9	6EE6	6-SELU-6	6-6 EBZ		3/8	1.20	0.67	0.28	11/16	5/8
8-DELU-8	810-9	8EE8	8-SELU-8	8-8 EBZ		1/2	1.42	0.90	0.41	7/8	13/16
10-DELU-10	1010-9	10EE10	10-SELU-10	10-10 EBZ		5/8	1.50	0.96	0.50	1	15/16
12-DELU-12	1210-9	12EE12	12-SELU-12	12-12 EBZ		3/4	1.57	0.96	0.63	1-1/8	1-1/16
14-DELU-14	1410-9	14EE14	14-SELU-14	14-14 EBZ		7/8	1.76	1.02	0.72	1-1/4	1-3/8
16-DELU-16	1610-9	16EE16	16-SELU-16	16-16 EBZ		1	1.93	1.24	0.88	1-1/2	1-3/8
20-DELU-20	2000-9	20EE20	-	-		1-1/4	2.67	1.62	1.09	1-7/8	1-11/16
24-DELU-24	2400-9	24EE24	-	-		1-1/2	3.10	1.97	1.34	2-1/4	2

**Note:** Dimensions subject to change, to be used for reference only.



CBC PART NUMBER	INTERCHANGES WITH		CS PART NUMBER	INTERCHANGES WITH		T TUBE O.D.	T1 TUBE O.D.	A	A1	B	B1	E THRU HOLE	NH NUT HEX	W WRENCH FLAT
2-DELU-1	-	-	2-SELU-1	-		1/8	1/16	0.98	0.81	0.52	0.35	0.05	5/16	1/2
4-DELU-2	-	4-2 ELZ	4-SELU-2	4-2 EBZ		1/4	1/8	1.06	0.98	0.61	0.52	0.09	7/16	1/2
6-DELU-4	600-9-4	6-4 ELZ	6-SELU-4	6-4 EBZ		3/8	1/4	1.20	1.18	0.67	0.61	0.13	9/16	5/8
8-DELU-4	810-9-4	8-4 ELZ	8-SELU-4	8-4 EBZ		1/2	1/4	1.42	1.31	0.90	0.61	0.19	9/16	13/16
8-DELU-6	-	8-6 ELZ	8-SELU-6	8-6 EBZ		1/2	3/8	1.42	1.29	0.90	0.67	0.28	11/16	13/16

**Note:** Dimensions subject to change, to be used for reference only.