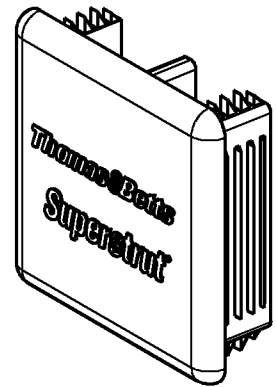
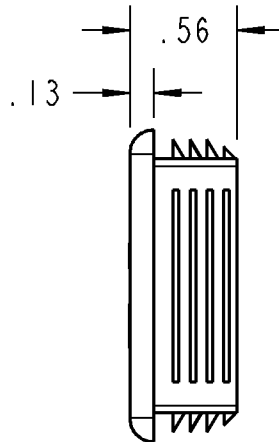
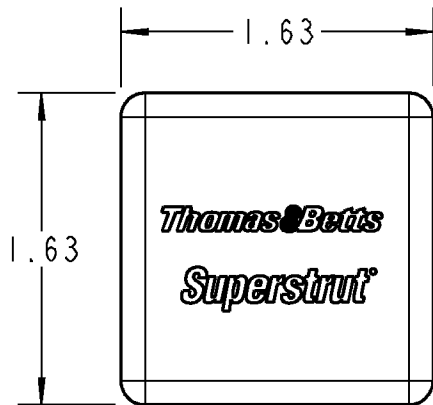
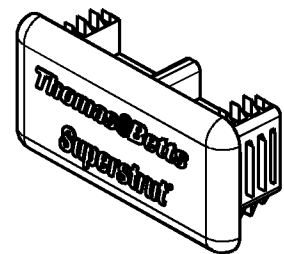
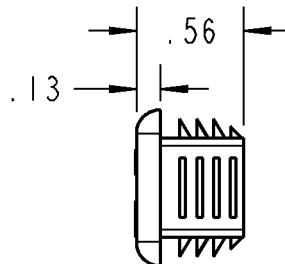
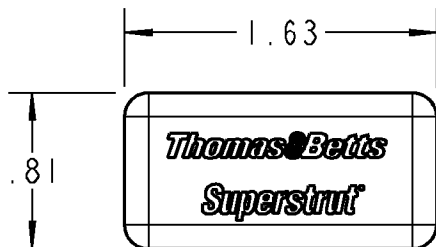


Superstrut

A SERIES SIZE



B SERIES SIZE



NOTES:

1. FITS A SERIES (A1200 / A1400) AND B SERIES (B1200 / B1400) STRUT
2. MATERIAL: PVC
3. END CAPS ARE USED FOR SEALING AND COVERING STRUT END SECTIONS
4. ALL DIMENSIONS ARE REFERENCE ONLY

COLOR	CATALOG NUMBER	
	A SERIES	B SERIES
BLUE	SEC A	SEC B
SILVER	SEC-AEG	SEC-BEG
GOLD	SEC-AGOLD	SEC-BGOLD
RED	SEC-A RED	SEC-B RED
YELLOW	SEC-A YELLOW	SEC-B YELLOW
GREEN	SEC-A GREEN	SEC-B GREEN

GENERAL NOTES

1. ALL DIMENSIONS ARE FOR REFERENCE ONLY.
2. DIMENSIONS IN BRACKETS [] ARE IN METRIC UNITS.

www.tnb.com

Thomas & Betts
A Member of the ABB Group

REVISIONS

2. SEE ERN 2017500 FOR APPROVAL SIGNATURES & RELEASE DATE.
PROJECT NO: 005M001004

DESCRIPTION:

SUPERSTRUT END CAP

ORIGINAL PROJECT NO / (ERN NO)

005D000322 / (2014093)

SHEET NO:

1 OF 1

REV. NO:

2

DRAWING NO:

WSD-001091