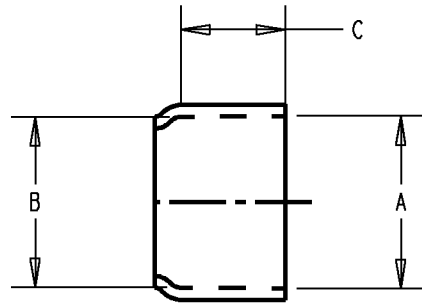


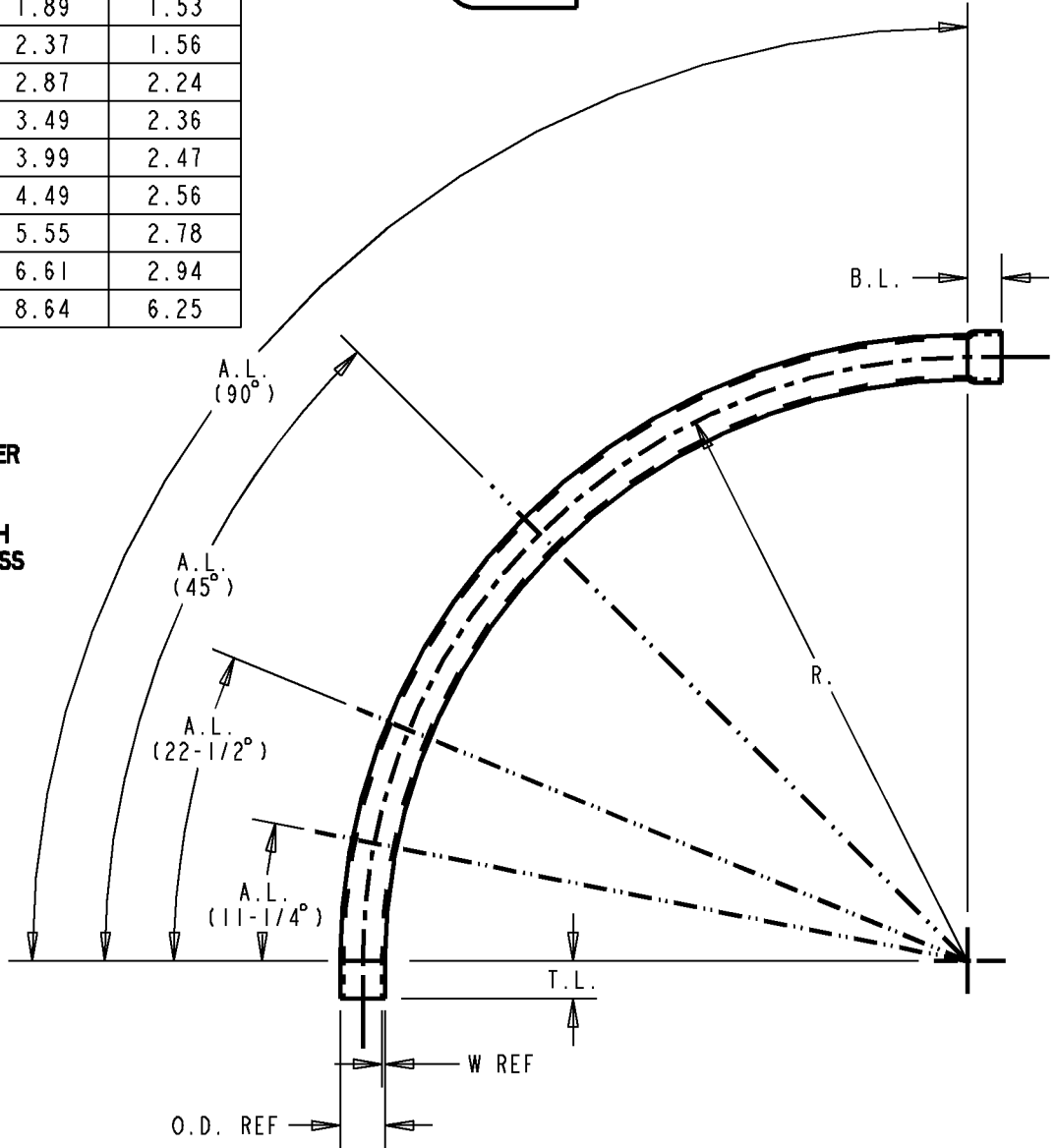
BELL END DIMENSIONS (REF)

ELBOW SIZE	Ø 'A'	Ø 'B'	DIM 'C'
1/2"	.85	.84	1.08
3/4"	1.06	1.05	1.11
1"	1.33	1.31	1.38
1-1/4"	1.68	1.66	1.47
1-1/2"	1.92	1.89	1.53
2"	2.39	2.37	1.56
2-1/2"	2.89	2.87	2.24
3"	3.52	3.49	2.36
3-1/2"	4.02	3.99	2.47
4"	4.52	4.49	2.56
5"	5.59	5.55	2.78
6"	6.66	6.61	2.94
8"	8.69	8.64	6.25



LEGEND

- O.D. - OUTSIDE DIAMETER
- BL. - BELL LENGTH
- AL. - ARC LENGTH
- T.L. - TANGENT LENGTH
- W - WALL THICKNESS
- R - RADIUS



GENERAL NOTES

1. ALL DIMENSIONS ARE FOR REFERENCE ONLY.
2. DIMENSIONS IN BRACKETS [] ARE IN METRIC UNITS.

REVISIONS

- | | |
|----------|--|
| 0 | SEE ERN (****) FOR APPROVAL SIGNATURES & RELEASE DATE.
PROJECT NO: **** |
|----------|--|

www.tnb.com

Thomas & Betts
A Member of the ABB Group

DESCRIPTION:

**SCHEDULE 40
BELLED-END SWEEPS**

ORIGINAL PROJECT NO / (ERN NO)

SHEET NO:

REV. NO:

DRAWING NO:

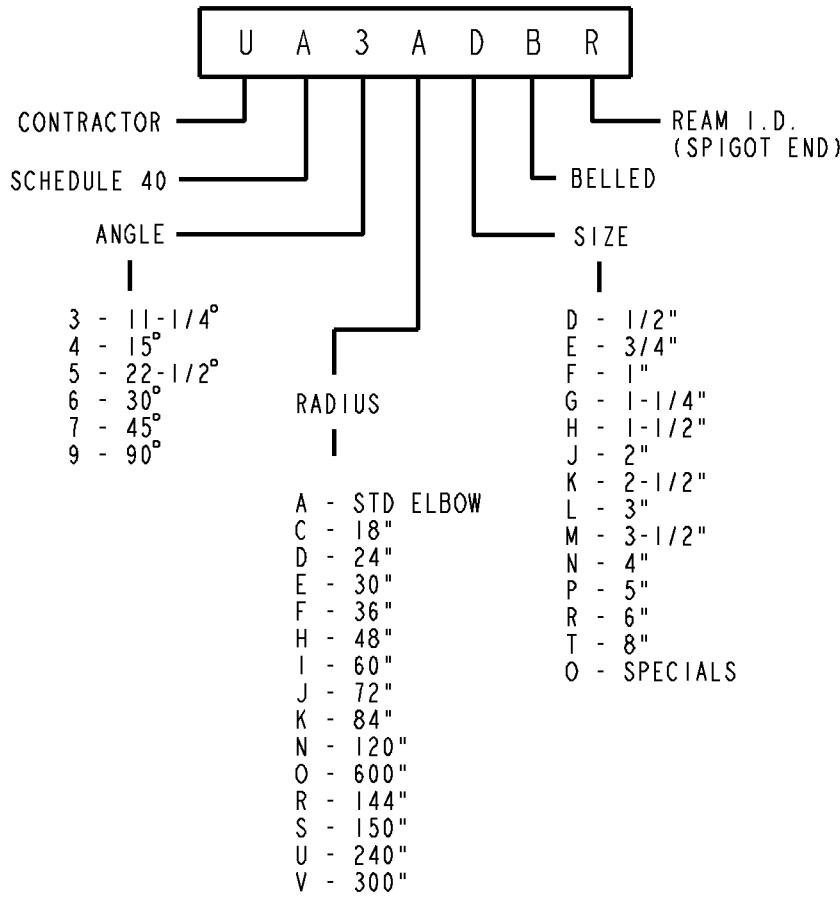
5AM00001 / (2017567)

1 OF 9

0

WSD-001725

PART NUMBER LEGEND



"STANDARD" RADII	
PIPE SIZE	RADIUS
1/2"	4"
3/4"	4 1/2"
1"	5 3/4"
1 1/4"	7 1/4"
1 1/2"	8 1/4"
2"	9 1/2"
2 1/2"	10 1/2"
3"	13"
3 1/2"	15"
4"	16"
5"	24"
6"	30"

PART NO.	DESCRIPTION	O.D.	T.L.	B.L.	A.L.	W	R
UA3ADB	1/2" SCH 40 11-1/4° X STD RADIUS	.84	1.50	1.38	.79	.12	4.00
UA3AEB	3/4" SCH 40 11-1/4° X STD RADIUS	1.05	1.50	1.38	.88	.12	4.50
UA3AFB	1" SCH 40 11-1/4° X STD RADIUS	1.32	1.88	1.75	1.13	.14	5.75
UA3AGB	1-1/4" SCH 40 11-1/4° X STD RADIUS	1.66	2.00	1.88	1.42	.15	7.25
UA3AHB	1-1/2" SCH 40 11-1/4° X STD RADIUS	1.90	2.00	1.88	1.62	.16	8.25
UA3AJB	2" SCH 40 11-1/4° X STD RADIUS	2.38	2.00	1.88	1.87	.16	9.50
UA3AKB	2-1/2" SCH 40 11-1/4° X STD RADIUS	2.88	3.00	2.88	2.06	.22	10.50
UA3ALB	3" SCH 40 11-1/4° X STD RADIUS	3.50	3.12	3.00	2.55	.23	13.00
UA3AMB	3-1/2" SCH 40 11-1/4° X STD RADIUS	4.00	3.25	3.13	2.95	.24	15.00
UA3ANB	4" SCH 40 11-1/4° X STD RADIUS	4.50	3.38	3.25	3.14	.25	16.00
UA3APB	5" SCH 40 11-1/4° X STD RADIUS	5.56	3.63	3.50	4.71	.27	24.00

Thomas & Betts
A Member of the ABB Group

www.tnb.com

DESCRIPTION: **SCHEDULE 40
BELLED-END SWEEPS**

SHEET NO: 2 OF 9	REV. NO: 0	DRAWING NO: WSD-001725
---------------------	---------------	---------------------------

PART NO.	DESCRIPTION	O.D.	T.L.	B.L.	A.L.	W	R
UA3ARB	6" SCH 40 11-1/4° X STD RADIUS	6.63	3.75	3.63	5.89	.30	30.00
UA3DJB	2" SCH 40 11-1/4° X 24" RADIUS	2.38	2.00	1.88	4.71	.16	24.00
UA3DKB	2-1/2" SCH 40 11-1/4° X 24" RADIUS	2.88	3.00	2.88	4.71	.22	24.00
UA3DLB	3" SCH 40 11-1/4° X 24" RADIUS	3.50	3.12	3.00	4.71	.23	24.00
UA3DNB	4" SCH 40 11-1/4° X 24" RADIUS	4.50	3.38	3.25	4.71	.25	24.00
UA3FJB	2" SCH 40 11-1/4° X 36" RADIUS	2.38	2.00	1.88	7.07	.16	36.00
UA3FKB	2-1/2" SCH 40 11-1/4° X 36" RADIUS	2.88	3.00	2.88	7.07	.22	36.00
UA3FLB	3" SCH 40 11-1/4° X 36" RADIUS	3.50	3.12	3.00	7.07	.23	36.00
UA3FMB	3-1/2" SCH 40 11-1/4° X 36" RADIUS	4.00	3.25	3.13	7.07	.24	36.00
UA3FNB	4" SCH 40 11-1/4° X 36" RADIUS	4.50	3.38	3.25	7.07	.25	36.00
UA3FPB	5" SCH 40 11-1/4° X 36" RADIUS	5.56	3.63	3.50	7.07	.27	36.00
UA3FRB	6" SCH 40 11-1/4° X 36" RADIUS	6.63	3.75	3.63	7.07	.30	36.00
UA3HNB	4" SCH 40 11-1/4° X 48" RADIUS	4.50	3.38	3.25	9.42	.25	48.00
UA3ONB	4" SCH 40 11-1/4° X 600" RADIUS	4.50	3.38	3.25	124.37	.25	600.00
UA3OTB	8" SCH 40 11-1/4° X 600" RADIUS	8.63	6.63	6.25	118.13	.34	600.00
UA3RPB	5" SCH 40 11-1/4° X 144" RADIUS	5.56	3.63	3.50	28.26	.27	144.00
UA3UPB	5" SCH 40 11-1/4° X 240" RADIUS	5.56	3.63	3.50	47.17	.27	240.00
UA5AJB	2" SCH 40 22-1/2° X STD RADIUS	2.38	2.00	1.88	3.73	.16	9.50
UA5ALB	3" SCH 40 22-1/2° X STD RADIUS	3.50	3.12	3.00	5.10	.23	13.00
UA5ANB	4" SCH 40 22-1/2° X STD RADIUS	4.50	3.38	3.25	6.28	.25	16.00
UA5APB	5" SCH 40 22-1/2° X STD RADIUS	5.56	3.63	3.50	9.42	.27	24.00
UA5ARB	6" SCH 40 22-1/2° X STD RADIUS	6.63	3.75	3.63	11.78	.30	30.00
UA5CJB	2" SCH 40 11-1/4° X 18" RADIUS	2.38	2.00	1.88	7.07	.16	18.00
UA5CLB	3" SCH 40 11-1/4° X 18" RADIUS	3.50	3.12	3.00	7.07	.23	18.00
UA5DJB	2" SCH 40 22-1/2° X 24" RADIUS	2.38	2.00	1.88	9.42	.16	24.00
UA5DJBR	2" SCH 40 22-1/2° X 24" RADIUS	2.38	2.00	1.88	9.42	.16	24.00
UA5DLB	3" SCH 40 11-1/4° X 24" RADIUS	3.50	3.12	3.00	9.42	.23	24.00
UA5DLBR	3" SCH 40 11-1/4° X 24" RADIUS	3.50	3.12	3.00	9.42	.23	24.00
UA5DNB	4" SCH 40 22-1/2° X 24" RADIUS	4.50	3.38	3.25	9.42	.25	24.00
UA5DNBR	4" SCH 40 22-1/2° X 24" RADIUS	4.50	3.38	3.25	9.42	.25	24.00

GENERAL NOTES

- ALL DIMENSIONS ARE FOR REFERENCE ONLY.
- DIMENSIONS IN BRACKETS [] ARE IN METRIC UNITS.

www.tnb.com



REVISIONS

0 SEE ERN (****) FOR APPROVAL SIGNATURES & RELEASE DATE. PROJECT NO: ****

DESCRIPTION:

**SCHEDULE 40
BELLED-END SWEEPS**

ORIGINAL PROJECT NO / (ERN NO)

SHEET NO:

REV. NO:

DRAWING NO:

5AM00001 / (2017567)

3 OF 9

0

WSD-001725

PART NO.	DESCRIPTION	O.D.	T.L.	B.L.	A.L.	W	R
UA5DPB	5" SCH 40 22-1/2° X 24" RADIUS	5.56	3.63	3.50	9.42	.27	24.00
UA5EJB	2" SCH 40 22-1/2° X 24" RADIUS	2.38	2.00	1.88	11.78	.16	30.00
UA5ELB	3" SCH 40 22-1/2° X 24" RADIUS	3.50	3.12	3.00	11.78	.23	30.00
UA5ENB	4" SCH 40 22-1/2° X 24" RADIUS	4.50	3.38	3.25	11.78	.25	30.00
UA5EPB	5" SCH 40 22-1/2° X 24" RADIUS	5.56	3.63	3.50	11.78	.27	30.00
UA5FHB	1-1/2" SCH 40 22-1/2° X 36" RADIUS	1.90	2.00	1.88	14.14	.16	36.00
UA5FJB	2" SCH 40 22-1/2° X 36" RADIUS	2.38	2.00	1.88	14.14	.16	36.00
UA5FJBR	2" SCH 40 22-1/2° X 36" RADIUS	2.38	2.00	1.88	14.14	.16	36.00
UA5FLB	3" SCH 40 22-1/2° X 36" RADIUS	3.50	3.12	3.00	14.14	.23	36.00
UA5FLBR	3" SCH 40 22-1/2° X 36" RADIUS	3.50	3.12	3.00	14.14	.23	36.00
UA5FNB	4" SCH 40 22-1/2° X 36" RADIUS	4.50	3.38	3.25	14.14	.25	36.00
UA5FNBR	4" SCH 40 22-1/2° X 36" RADIUS	4.50	3.38	3.25	14.14	.25	36.00
UA5FPB	5" SCH 40 22-1/2° X 36" RADIUS	5.56	3.63	3.50	14.14	.27	36.00
UA5FRB	6" SCH 40 22-1/2° X 36" RADIUS	6.63	3.75	3.63	14.14	.30	36.00
UA5HJB	2" SCH 40 22-1/2° X 48" RADIUS	2.38	2.00	1.88	18.85	.16	48.00
UA5HNB	4" SCH 40 22-1/2° X 48" RADIUS	4.50	3.38	3.25	18.85	.25	48.00
UA5HPB	5" SCH 40 22-1/2° X 48" RADIUS	5.56	3.63	3.50	18.85	.27	48.00
UA5HRB	6" SCH 40 22-1/2° X 48" RADIUS	6.63	3.75	3.63	18.85	.30	48.00
UA5IPB	5" SCH 40 22-1/2° X 60" RADIUS	5.56	3.63	3.50	23.56	.27	60.00
UA5IRB	6" SCH 40 22-1/2° X 60" RADIUS	6.63	3.75	3.63	23.56	.30	60.00
UA5RNB	4" SCH 40 22-1/2° X 144" RADIUS	4.50	3.38	3.25	56.52	.25	144.00
UA5RPB	5" SCH 40 22-1/2° X 144" RADIUS	5.56	3.63	3.50	56.52	.27	144.00
UA5RRB	6" SCH 40 22-1/2° X 144" RADIUS	6.63	3.75	3.63	56.52	.30	144.00
UA5SNB	4" SCH 40 22-1/2° X 150" RADIUS	4.50	3.38	3.25	58.58	.25	150.00
UA5UNB	4" SCH 40 22-1/2° X 240" RADIUS	4.50	3.38	3.25	94.23	.25	240.00
UA5UPB	5" SCH 40 22-1/2° X 240" RADIUS	5.56	3.63	3.50	94.23	.27	240.00
UA5VNB	4" SCH 40 22-1/2° X 300" RADIUS	4.50	3.38	3.25	117.79	.25	300.00
UA5VPB	5" SCH 40 22-1/2° X 300" RADIUS	5.56	3.63	3.50	117.79	.27	300.00
UA5VTB	8" SCH 40 22-1/2° X 300" RADIUS	8.63	6.63	6.25	117.79	.34	300.00
UA6ADB	1/2" SCH 40 30° X STD RADIUS	.84	1.50	1.38	2.094	.12	4.00
UA6AEB	3/4" SCH 40 30° X STD RADIUS	1.05	1.50	1.38	2.23	.12	4.50
UA6AFB	1" SCH 40 30° X STD RADIUS	1.32	1.88	1.75	3.01	.14	5.75

Thomas & Betts A Member of the ABB Group	
www.tnb.com	
DESCRIPTION: SCHEDULE 40 BELLED-END SWEEPS	
SHEET NO: 4 OF 9	REV. NO: 0
DRAWING NO: WSD-001725	

PART NO.	DESCRIPTION	O.D.	T.L.	B.L.	A.L.	W	R
UA6AGB	1-1/4" SCH 40 30° X STD RADIUS	1.66	2.00	1.88	3.80	.15	7.25
UA6AHB	1-1/2" SCH 40 30° X STD RADIUS	1.90	2.00	1.88	4.32	.16	8.25
UA6AJB	2" SCH 40 30° X STD RADIUS	2.38	2.00	1.88	4.97	.16	9.50
UA6AKB	2-1/2" SCH 40 30° X STD RADIUS	2.88	3.00	2.88	5.50	.22	10.50
UA6ALB	3" SCH 40 30° X STD RADIUS	3.50	3.12	3.00	6.81	.23	13.00
UA6AMB	3-1/2" SCH 40 30° X STD RADIUS	4.00	3.25	3.13	7.85	.24	15.00
UA6ANB	4" SCH 40 30° X STD RADIUS	4.50	3.38	3.25	8.38	.25	16.00
UA6APB	5" SCH 40 30° X STD RADIUS	5.56	3.63	3.50	12.56	.27	24.00
UA6ARB	6" SCH 40 30° X STD RADIUS	6.63	3.75	3.63	15.70	.30	30.00
UA6DJB	2" SCH 40 30° X 24" RADIUS	2.38	2.00	1.88	12.56	.16	24.00
UA6DLB	3" SCH 40 30° X 24" RADIUS	3.50	3.12	3.00	12.56	.23	24.00
UA6FJB	2" SCH 40 30° X 36" RADIUS	2.38	2.00	1.88	18.84	.16	36.00
UA6FLB	3" SCH 40 30° X 36" RADIUS	3.50	3.12	3.00	18.84	.23	36.00
UA6FNB	4" SCH 40 30° X 36" RADIUS	4.50	3.38	3.25	18.84	.25	36.00
UA6FPB	5" SCH 40 30° X 36" RADIUS	5.56	3.63	3.50	18.84	.27	36.00
UA6FRB	6" SCH 40 30° X 36" RADIUS	6.63	3.75	3.63	18.84	.30	36.00
UA6HJB	2" SCH 40 30° X 48" RADIUS	2.38	2.00	1.88	25.12	.16	48.00
UA6HLB	3" SCH 40 30° X 48" RADIUS	3.50	3.12	3.00	25.12	.23	48.00
UA6HNB	4" SCH 40 30° X 48" RADIUS	4.50	3.38	3.25	25.12	.25	48.00
UA6HPB	5" SCH 40 30° X 48" RADIUS	5.56	3.63	3.50	25.12	.27	48.00
UA6HRB	6" SCH 40 30° X 48" RADIUS	6.63	3.75	3.63	25.12	.30	48.00
UA7ADB	1/2" SCH 40 45° X STD RADIUS	.84	1.50	1.38	3.14	.12	4.00
UA7AEB	3/4" SCH 40 45° X STD RADIUS	1.05	1.50	1.38	3.34	.12	4.50
UA7AFB	1" SCH 40 45° X STD RADIUS	1.32	1.88	1.75	4.52	.14	5.75
UA7AGB	1-1/4" SCH 40 45° X STD RADIUS	1.66	2.00	1.88	5.69	.15	7.25
UA7AHB	1-1/2" SCH 40 45° X STD RADIUS	1.90	2.00	1.88	6.48	.16	8.25
UA7AJB	2" SCH 40 45° X STD RADIUS	2.38	2.00	1.88	7.46	.16	9.50
UA7AKB	2-1/2" SCH 40 45° X STD RADIUS	2.88	3.00	2.88	8.25	.22	10.50
UA7ALB	3" SCH 40 45° X STD RADIUS	3.50	3.12	3.00	10.21	.23	13.00
UA7AMB	3-1/2" SCH 40 45° X STD RADIUS	4.00	3.25	3.13	11.78	.24	15.00
UA7ANB	4" SCH 40 45° X STD RADIUS	4.50	3.38	3.25	12.56	.25	16.00

Thomas & Betts	
A Member of the ABB Group	
www.tnb.com	
DESCRIPTION: SCHEDULE 40 BELLED-END SWEEPS	
SHEET NO: 5 OF 9	REV. NO: 0
DRAWING NO: WSD-001725	

PART NO.	DESCRIPTION	O. D.	T. L.	B. L.	A. L.	W	R
UA7APB	5" SCH 40 45° X STD RADIUS	5.56	3.63	3.50	18.84	.27	24.00
UA7ARB	6" SCH 40 45° X STD RADIUS	6.63	3.75	3.63	23.55	.30	30.00
UA7BJB	2" SCH 40 45° X 12" RADIUS	2.38	2.00	1.88	9.42	.16	12.00
UA7CJB	2" SCH 40 45° X 18" RADIUS	2.38	2.00	1.88	14.13	.16	18.00
UA7CLB	3" SCH 40 45° X 18" RADIUS	3.50	3.12	3.00	14.13	.30	18.00
UA7DJB	2" SCH 40 45° X 24" RADIUS	2.38	2.00	1.88	18.84	.16	24.00
UA7DJBR	2" SCH 40 45° X 24" RADIUS	2.38	2.00	1.88	18.84	.16	24.00
UA7DKB	2-1/2" SCH 40 45° X 24" RADIUS	2.88	3.00	2.88	18.84	.22	24.00
UA7DKBR	2-1/2" SCH 40 45° X 24" RADIUS	2.88	3.00	2.88	18.84	.22	24.00
UA7DLB	3" SCH 40 45° X 24" RADIUS	3.50	3.12	3.00	18.84	.23	24.00
UA7DNB	4" SCH 40 45° X 24" RADIUS	4.50	3.38	3.25	18.84	.25	24.00
UA7EJB	2" SCH 40 45° X 30" RADIUS	2.38	2.00	1.88	23.55	.16	30.00
UA7ELB	3" SCH 40 45° X 30" RADIUS	3.50	3.12	3.00	23.55	.23	30.00
UA7ENB	4" SCH 40 45° X 30" RADIUS	4.50	3.38	3.25	23.55	.25	30.00
UA7EPB	5" SCH 40 45° X 30" RADIUS	5.56	3.63	3.50	23.55	.27	30.00
UA7FHB	1-1/2" SCH 40 45° X 36" RADIUS	1.90	2.00	1.88	28.26	.16	36.00
UA7FJB	2" SCH 40 45° X 36" RADIUS	2.38	2.00	1.88	28.26	.16	36.00
UA7FJBR	2" SCH 40 45° X 36" RADIUS	2.38	2.00	1.88	28.26	.16	36.00
UA7FKB	2-1/2" SCH 40 45° X 36" RADIUS	2.88	3.00	2.88	28.26	.22	36.00
UA7FLB	3" SCH 40 45° X 36" RADIUS	3.50	3.12	3.00	28.26	.23	36.00
UA7FNB	4" SCH 40 45° X 36" RADIUS	4.50	3.38	3.25	28.26	.25	36.00
UA7FPB	5" SCH 40 45° X 36" RADIUS	5.56	3.63	3.50	28.26	.27	36.00
UA7FRB	6" SCH 40 45° X 36 RADIUS	6.63	3.75	3.63	28.26	.30	36.00
UA7HJB	2" SCH 40 45° X 48" RADIUS	2.38	2.00	1.88	37.68	.16	48.00
UA7HLB	3" SCH 40 45° X 48" RADIUS	3.50	3.12	3.00	37.68	.23	48.00
UA7HNB	4" SCH 40 45° X 48" RADIUS	4.50	3.38	3.25	37.68	.25	48.00
UA7HPB	5" SCH 40 45° X 48" RADIUS	5.56	3.63	3.50	37.68	.27	48.00
UA7HRB	6" SCH 40 45° X 48" RADIUS	6.63	3.75	3.63	37.68	.30	48.00
UA7INB	4" SCH 40 45° X 60" RADIUS	4.50	3.38	3.25	47.10	.25	60.00
UA7NNB	4" SCH 40 45° X 120" RADIUS	4.50	3.38	3.25	94.20	.25	120.00
UA7NPB	5" SCH 40 45° X 120" RADIUS	5.56	3.63	3.50	94.20	.27	120.00

Thomas & Betts A Member of the ABB Group	
www.tnb.com	
DESCRIPTION: SCHEDULE 40 BELLED-END SWEEPS	
SHEET NO: 6 OF 9	REV. NO: 0
DRAWING NO: WSD-001725	

PART NO.	DESCRIPTION	O.D.	T.L.	B.L.	A.L.	W	R
UA7SNB	4" SCH 40 45° X 150" RADIUS	4.50	3.38	3.25	117.75	.25	150.00
UA7SPB	5" SCH 40 45° X 150" RADIUS	5.56	3.63	3.50	117.75	.27	150.00
UA9ADB	1/2" SCH 40 90° X STD RADIUS	.84	1.50	1.38	6.28	.12	4.00
UA9AEB	3/4" SCH 40 90° X STD RADIUS	1.05	1.50	1.38	6.68	.12	4.50
UA9AFB	1" SCH 40 90° X STD RADIUS	1.32	1.88	1.750	9.03	.14	5.75
UA9AGB	1-1/4" SCH 40 90° X STD RADIUS	1.66	2.00	1.88	11.39	.15	7.25
UA9AHB	1-1/2" SCH 40 90° X STD RADIUS	1.90	2.00	1.88	12.95	.16	8.25
UA9AJB	2" SCH 40 90° X STD RADIUS	2.38	2.00	1.88	14.92	.16	9.50
UA9AKB	2-1/2" SCH 40 90° X STD RADIUS	2.88	3.00	2.88	16.49	.22	10.50
UA9ALB	3" SCH 40 90° X STD RADIUS	3.50	3.12	3.00	20.41	.23	13.00
UA9AMB	3-1/2" SCH 40 90° X STD RADIUS	4.00	3.25	3.13	23.55	.24	15.00
UA9ANB	4" SCH 40 90° X STD RADIUS	4.50	3.38	3.25	25.12	.25	16.00
UA9APB	5" SCH 40 90° X STD RADIUS	5.56	3.63	3.50	37.68	.27	24.00
UA9ARB	6" SCH 40 90° X STD RADIUS	6.63	3.75	3.63	47.10	.30	30.00
UA9CFB	1" SCH 40 90° X 18" RADIUS	1.32	1.88	1.75	28.26	.14	18.00
UA9CGB	1-1/4" SCH 40 90° X 18" RADIUS	1.66	2.00	1.88	28.26	.15	18.00
UA9CHB	1-1/2" SCH 40 90° X 18" RADIUS	1.90	2.00	1.88	28.26	.16	18.00
UA9CJB	2" SCH 40 90° X 18" RADIUS	2.38	2.00	1.88	28.26	.16	18.00
UA9CKB	2-1/2" SCH 40 90° X 18" RADIUS	2.88	3.00	2.88	28.26	.22	18.00
UA9CLB	3" SCH 40 90° X 18" RADIUS	3.50	3.12	3.00	28.26	.23	18.00
UA9DFB	1" SCH 40 90° X 24" RADIUS	1.32	1.88	1.75	37.68	.14	24.00
UA9DHB	1-1/2" SCH 40 90° X 24" RADIUS	1.90	2.00	1.88	37.68	.16	24.00
UA9DJB	2" SCH 40 90° X 24" RADIUS	2.38	2.00	1.88	37.68	.16	24.00
UA9DJBR	2" SCH 40 90° X 24" RADIUS	2.38	2.00	1.88	37.68	.16	24.00
UA9DKB	2-1/2" SCH 40 90° X 24" RADIUS	2.88	3.00	2.88	37.68	.22	24.00
UA9DLB	3" SCH 40 90° X 24" RADIUS	3.50	3.12	3.00	37.68	.23	24.00
UA9DLBR	3" SCH 40 90° X 24" RADIUS	3.50	3.12	3.00	37.68	.23	24.00
UA9DMB	3-1/2" SCH 40 90° X 24" RADIUS	4.00	3.25	3.13	37.68	.24	24.00
UA9DNB	4" SCH 40 90° X 24" RADIUS	4.50	3.38	3.25	37.68	.25	24.00
UA9DNBR	4" SCH 40 90° X 24" RADIUS	4.50	3.38	3.25	37.68	.25	24.00
UA9EFB	1" SCH 40 90° X 30" RADIUS	1.32	1.88	1.75	47.10	.14	30.00

Thomas & Betts	
A Member of the ABB Group	
www.tnb.com	
DESCRIPTION: SCHEDULE 40 BELLED-END SWEEPS	
SHEET NO: 7 OF 9	REV. NO: 0
DRAWING NO: WSD-001725	

PART NO.	DESCRIPTION	O.D.	T.L.	B.L.	A.L.	W	R
UA9EGB	1-1/4" SCH 40 90° X 30" RADIUS	1.66	2.00	1.88	47.10	.15	30.00
UA9EHB	1-1/2" SCH 40 90° X 30" RADIUS	1.90	2.00	1.88	47.10	.16	30.00
UA9EJB	2" SCH 40 90° X 30" RADIUS	2.38	2.00	1.88	47.10	.16	30.00
UA9EKB	2-1/2" SCH 40 90° X 30" RADIUS	2.88	3.00	2.88	47.10	.22	30.00
UA9EMB	3-1/2" SCH 40 90° X 30" RADIUS	4.00	3.25	3.13	47.10	.24	30.00
UA9ENB	4" SCH 40 90° X 30" RADIUS	4.50	3.38	3.25	47.10	.25	30.00
UA9EPB	5" SCH 40 90° X 30" RADIUS	5.56	3.63	3.50	47.10	.27	30.00
UA9FGB	1-1/4" SCH 40 90° X 36" RADIUS	1.66	2.00	1.88	56.52	.15	36.00
UA9FHB	1-1/2" SCH 40 90° X 36" RADIUS	1.90	2.00	1.88	56.52	.16	36.00
UA9FJB	2" SCH 40 90° X 36" RADIUS	2.38	2.00	1.88	56.52	.16	36.00
UA9FKB	2-1/2" SCH 40 90° X 36" RADIUS	2.88	3.00	2.88	56.52	.22	36.00
UA9FLB	3" SCH 40 90° X 36" RADIUS	3.50	3.12	3.00	56.52	.23	36.00
UA9FMB	3-1/2" SCH 40 90° X 36" RADIUS	4.00	3.25	3.13	56.52	.24	36.00
UA9FNB	4" SCH 40 90° X 36" RADIUS	4.50	3.38	3.25	56.52	.25	36.00
UA9FNBR	4" SCH 40 90° X 36" RADIUS	4.50	3.38	3.25	56.52	.25	36.00
UA9FPB	5" SCH 40 90° X 36" RADIUS	5.56	3.63	3.50	56.52	.27	36.00
UA9FRB	6" SCH 40 90° X 36" RADIUS	6.63	3.75	3.63	56.52	.30	36.00
UA9HJB	2" SCH 40 90° X 48" RADIUS	2.38	2.00	1.88	75.36	.16	48.00
UA9HJBR	2" SCH 40 90° X 48" RADIUS	2.38	2.00	1.88	75.36	.16	48.00
UA9HKB	2-1/2" SCH 40 90° X 48" RADIUS	2.88	3.00	2.88	75.36	.22	48.00
UA9HKBR	2-1/2" SCH 40 90° X 48" RADIUS	2.88	3.00	2.88	75.36	.22	48.00
UA9HLB	3" SCH 40 90° X 48" RADIUS	3.50	3.12	3.00	75.36	.23	48.00
UA9HLBR	3" SCH 40 90° X 48" RADIUS	3.50	3.12	3.00	75.36	.23	48.00
UA9HMB	3-1/2" SCH 40 90° X 48" RADIUS	4.00	3.25	3.13	75.36	.24	48.00
UA9HNB	4" SCH 40 90° X 48" RADIUS	4.50	3.38	3.25	75.36	.25	48.00
UA9HNBR	4" SCH 40 90° X 48" RADIUS	4.50	3.38	3.25	75.36	.25	48.00
UA9HPB	5" SCH 40 90° X 48" RADIUS	5.56	3.63	3.50	75.36	.27	48.00
UA9HRB	6" SCH 40 90° X 48" RADIUS	6.63	3.75	3.63	75.36	.30	48.00
UA9IJB	2" SCH 40 90° X 60" RADIUS	2.38	2.00	1.88	94.20	.16	60.00
UA9INB	4" SCH 40 90° X 60" RADIUS	4.50	3.38	3.25	94.20	.25	60.00
UA9IPB	5" SCH 40 90° X 60" RADIUS	5.56	3.63	3.50	94.20	.27	60.00

Thomas & Betts	
<small>A Member of the ABB Group</small>	
<small>www.tnb.com</small>	
DESCRIPTION: SCHEDULE 40 BELLED-END SWEEPS	
SHEET NO: 8 OF 9	REV. NO: 0
DRAWING NO: WSD-001725	

PART NO.	DESCRIPTION	O.D.	T.L.	B.L.	A.L.	W	R
UA9IRB	6" SCH 40 90° X 60" RADIUS	6.63	3.75	3.63	94.20	.30	60.00
UA9JRB	6" SCH 40 90° X 72" RADIUS	6.63	3.75	3.63	94.20	.30	72.00
UA9KJB	2" SCH 40 90° X 84" RADIUS	2.38	2.00	1.88	131.95	.16	84.00
UA9KRB	6" SCH 40 90° X 84" RADIUS	6.63	3.75	3.63	131.95	.30	84.00

Thomas&Betts		
<small>A Member of the ABB Group</small>		
<small>www.tnb.com</small>		
DESCRIPTION: SCHEDULE 40 BELLED-END SWEEPS		
	SHEET NO: 9 OF 9	REV. NO: 0
		DRAWING NO: WSD-001725