

# P400ML5AC4M

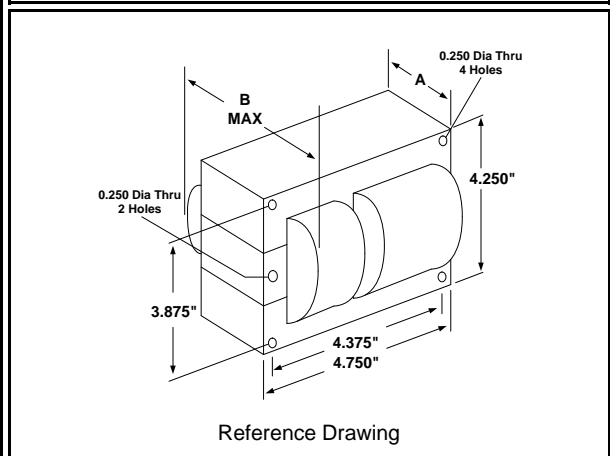
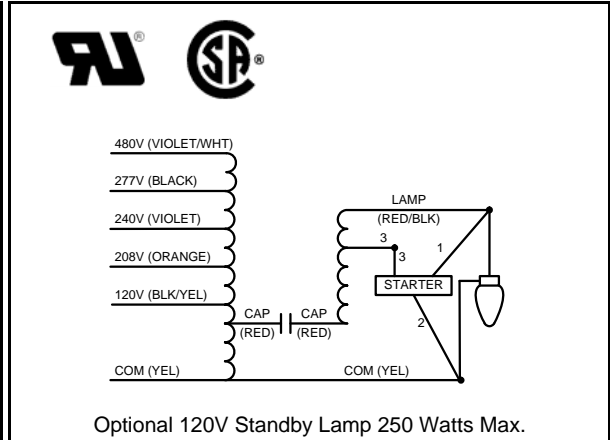
400W M155/M135 / M128/M172

Pulse Start Metal Halide

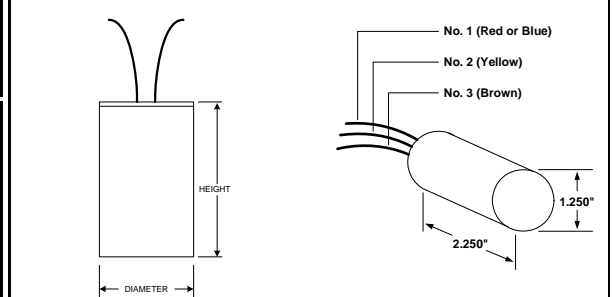
60Hz CWA

## Specification Sheet

<b>Input Volts</b>	120	208	240	277	480
<b>Regulation</b>					
Line Volts	±10%	±10%	±10%	±10%	±10%
Lamp Watts	±10%	±10%	±10%	±10%	±10%
Power Factor (min)	90%	90%	90%	90%	90%
Input Watts	455 W	455 W	455 W	455 W	455 W
NOM. Open Circuit Voltage	285 V	285 V	285 V	285 V	285 V
<b>Line Current (Amps)</b>					
Operating	3.90	2.25	1.95	1.70	0.95
Open Circuit	3.90	2.25	1.95	1.70	0.95
Starting	2.40	1.40	1.20	1.05	0.60
Recommended Fuse (Amps)	10	7	5	5	3
Lamp Dropout Voltage (Line)	60 V	100 V	120 V	135 V	240 V
<b>UL Temperature Ratings</b>					
Insulation Class	H (180°C)	H (180°C)	H (180°C)	H (180°C)	H (180°C)
Temperature Code	D	D	D	D	D
MIN. Starting Temperature	-22°F -30°C	-22°F -30°C	-22°F -30°C	-22°F -30°C	-22°F -30°C
<b>CAPACITOR Specifications</b>					
Microfarads	24 uf	24 uf	24 uf	24 uf	24 uf
Volts (min.)	400 V	400 V	400 V	400 V	400 V
<b>60Hz Test Procedures</b>					
High Potential Test 1 Minute	2000 V	2000 V	2000 V	2000 V	2000 V
High Potential Test 1 Second	2500 V	2500 V	2500 V	2500 V	2500 V
Secondary Open Ckt Voltage (V)	255 - 315	255 - 315	255 - 315	255 - 315	255 - 315
Secondary Current Shorted (A)	3.40 - 4.20	3.40 - 4.20	3.40 - 4.20	3.40 - 4.20	3.40 - 4.20
Input Operating Current (A)	3.40 - 4.30	2.00 - 2.50	1.70 - 2.15	1.45 - 1.85	0.85 - 1.10
Input Open Circuit Current (A)	1.95 - 5.75	1.10 - 3.35	0.95 - 2.90	0.85 - 2.50	0.45 - 1.45
Input Short Circuit Current (A)	1.55 - 2.65	0.80 - 1.40	0.75 - 1.35	0.65 - 1.15	0.35 - 0.70
<b>Core and Coil Specifications</b>					
Dimension A	2.00 in	2.00 in	2.00 in	2.00 in	2.00 in
Dimension B	3.90 in	3.90 in	3.90 in	3.90 in	3.90 in
Weight	12.5 lbs	12.5 lbs	12.5 lbs	12.5 lbs	12.5 lbs
Lead Lengths (inches)	12-14	12-14	12-14	12-14	12-14
Coil Material (Pri. / Sec.):	Cu / Cu	Cu / Cu	Cu / Cu	Cu / Cu	Cu / Cu



<b>Capacitor: R17058571</b>	<b>Ignitor: MH350-1A</b>
Max Case Temp: 100 °C	Max Case Temp 105 °C
Height: 3.82 in	BTL: 10 ft
Width / Diameter: 1.85 in	



Oil Cap. - P/N 005-2664-MF Consult Catalog for Specs.

Document #:	010-9866-09
Date:	2/20/2017
Status:	Production
Replaces Catalog #:	New Design

Data is based upon tests performed by Universal Lighting Technologies in a controlled environment and is representative of relative performance. Actual performance may vary depending on operating conditions. Specifications are subject to change without notice.

**Universal Lighting Technologies**

26 Century Blvd. Suite 500 - Nashville, TN 37214

Phone 1-800-225-5278 Fax 1-800-206-0035

www.unvlt.com