

Rotary Disconnect Switch Specifications

Bulletin Number 194R

Topic	Page
Product Line Overview	2
General Specifications	3
Fuse Description	12
Approximate Dimensions	14

Additional Resources



These documents contain additional information concerning related products from Rockwell Automation.

Resource	Description
Industrial Automation Wiring and Grounding Guidelines, publication 1770-4.1	Provides general guidelines for installing a Rockwell Automation industrial system.
Product Certifications website, http://www.ab.com	Provides declarations of conformity, certificates, and other certification details.

You can view or download publications at <http://www.rockwellautomation.com/literature/>. To order paper copies of technical documentation, contact your local Allen-Bradley distributor or Rockwell Automation sales representative.



Bulletin 194R Overview

		
	Bulletin 194R-C, J, H, B, D, F, L, N, NU	Bulletin 194R-NE
Product Type	Fused and non-fused rotary disconnect switches	Non-fused IEC rotary disconnect switches
Current Range	20...1200 A	100...1250 A
Main Applications	<ul style="list-style-type: none"> • UL 98 ratings "suitable as service entrance disconnecting means" • UL 508, CSA ratings "suitable as at-motor disconnect" 	<ul style="list-style-type: none"> • Disconnecting means
Functionality	<ul style="list-style-type: none"> • 3- or 4-pole fusible or non-fusible disconnect for standard OFF-ON or emergency stop in a main panel disconnect application • 4th pole available as modular accessory • Test mode switch position 	<ul style="list-style-type: none"> • 3- or 4-pole non-fusible disconnect for standard OFF-ON or emergency stop in a main panel disconnect application • 4th pole available as modular accessory • Test mode switch position
Mounting Styles	Base/DIN Rail mounting	Base/DIN Rail mounting
Handles	<ul style="list-style-type: none"> • Available in rotary styles, UL Type 1/3R/4/4X/12, IP66, standard, or test mode versions • Handle colors in black and red/yellow and padlockable versions • 30 A/60 A legend markers (optional) — uses Cat. No. 1492-MS6X12 markers 	<ul style="list-style-type: none"> • Available in rotary styles, UL Type 1/3R/4/4X/12, IP66, standard, or test mode versions • Handle colors in black and red/yellow and padlockable versions
Open Switch or Enclosed	<ul style="list-style-type: none"> • Open switch • Enclosed: UL/CSA rated enclosure 	<ul style="list-style-type: none"> • Open switch
UL/CSA Electrical Ratings:		
Rated Voltage U_e	690V AC	690V AC
Rated Current I_e	20...1200 A	100...1250 A
Rated Power P_e [FLA]	Varies w/ 1- or 3-phase switch, voltage	Varies w/ 1- or 3-phase switch, voltage
Short-Circuit Ratings	200 kA	200 kA
Mechanical Life [ops]	10 000	10 000
IEC Rated Current I_e		
AC-1	20...1200 A @ 690V	100...1250 A @ 690V
AC-21A	Varies w/ 1- or 3-phase switch, voltage	Varies w/ 1- or 3-phase switch, voltage
AC-22A	Varies w/ 1- or 3-phase switch, voltage	Varies w/ 1- or 3-phase switch, voltage
Ambient Operational Temp.	-20...+60 °C (-4...+140 °F)	-20...+60 °C (-4...+140 °F)
Ambient Enclosed Temp.	-20...+60 °C (-4...+140 °F)	-20...+60 °C (-4...+140 °F)
Ambient Storage Temp.	-40...+65 °C (-40...+149 °F)	-40...+65 °C (-40...+149 °F)
Protection class per IEC 529	<ul style="list-style-type: none"> • Switch bodies: IP2 • Fuse carriers: IP30 	<ul style="list-style-type: none"> • Switch bodies: IP2
Optional Accessories	<ul style="list-style-type: none"> • Operator handles • Multi-length shafts • Auxiliary contacts • Terminal covers • NFPA 79 internal handle with shaft 	<ul style="list-style-type: none"> • IP66 handles • Multi-length shafts • Auxiliary contacts • Terminal covers • NFPA 79 internal handle
Standards/Certifications	<ul style="list-style-type: none"> • UL 98, UL 508 • CSA C22.2, No. 14 • IEC 60947-3 Low Voltage Switchgear and Controlgear part 3 • CE 	<ul style="list-style-type: none"> • CSA C22.2, No. 14 • IEC 60947-3 Low Voltage Switchgear and Controlgear part 3 • CE
Product Selection	Page 4	Page 4

Specifications

Fused Disconnect Switches for UL Class Fuses and CSA HRCI-J

Electrical Ratings						
Cat. No.	194R-C30-1753		194R-J30-1753		194R-J60-1753	
CSA Fuse Type/UL Fuse Type	Class CC/HRCI-MISC ‡		Class J/HRCI-J		Class J/HRCI-J	
Maximum Fuse Cartridge Size	[A]	30	30	30	60	60
Maximum Voltage	AC [V]	600	600	600	600	600
	DC [V]	250	250	250	250	250
Ampere Rating	[A]	30	30	30	60	60
Maximum Short Circuit Prospective Fault Current	[kA]	200	200	200	200	200
Fuse Operating Characteristics		Time Delay	Non-Time Delay	Time Delay	Non-Time Delay	Time Delay
Maximum Hp, 3-Phase AC						
200V, 60 Hz	[Hp]	5	3	7.5	3	15
240V, 60 Hz	[Hp]	5	3	7.5	3	15
480V, 60 Hz	[Hp]	10	5	15	5	30
600V, 60 Hz	[Hp]	10	7.5	20	7.5	50
Maximum Hp, 1-Phase AC						
120V, 60 Hz	[Hp]	0.75	0.5	2	0.5	3
240V, 60 Hz	[Hp]	2	1.5	3	1.5	10
Maximum Hp, DC						
125V DC	[Hp]	2	3	3	2	5
250V DC	[Hp]	3	5	5	5	10

‡ Based on Rockwell Automation tests in accordance with the requirements as defined in CSA C22.2 No. 4, IEC 60947-3 and UL 98.

Electrical Ratings						
Cat. No.	194R-J100-1753		194R-J200-1753		194R-J400-1753	
CSA Fuse Type/UL Fuse Type	Class J/HRCI-J		Class J/HRCI-J		Class J/HRCI-J	
Maximum Fuse Cartridge Size	[A]	100	200	400	600	800
Maximum Voltage	AC [V]	600	800	600	600	600
	DC [V]	250§	250§	250§	250§	250§
Ampere Rating	[A]	100	200	400	600	800
Maximum Short Circuit Prospective Fault Current	[kA]	200	200	200	200	200

§ 3 poles in series

Mechanical Data			
Cat. No.	194R-C30-1753, 194R-J30-1753		194R-J60-1753
Degree of Protection (per IEC 60947-3)			
Switch Only	IP20		IP20
Switch with Terminal Shield & Fuse Carriers	IP20		IP20
Mechanical Endurance §	Operations	10 000	10 000
Operating Torque (Maximum)	N•m	3.5	3.5
	lb•in	35	35
Terminal Capacity	mm ²	2.5...10	2.5...25
Power Terminals	AWG	#14...#8	#14...#4
Auxiliary Contact Terminals	mm ²	2.5...4	2.5...4
	AWG	#14...#12	#14...#12
Maximum Number of Auxiliary Circuits		6	6
Approximate Weight	kg	0.92	1.32
	lbs	2.03	2.9
Minimum Enclosure Size	Height	248 (9-3/4)	248 (9-3/4)
Approximate dimensions in millimeters (inches)	Width	171 (6-3/4)	197 (7-3/4)
	Depth	148 (5-13/16)	148 (5-13/16)
Switch Dimension Reference (See dimension drawings.)		A1	B1

§ Based on Rockwell Automation tests in accordance with the requirements as defined in CSA C22.2 No. 4, IEC 60947-3 and UL 98.

Mechanical Data						
Cat. No.		194R-J100-1753	194R-J200-1753	194R-J400-1753	194R-J600-1753	194R-J800-1753
Degree of Protection (per IEC 60947-3) Switch Only		IP20	IP20	IP20	IP20	IP20
	Switch with Terminal Shield & Fuse Carriers	IP20	IP20	IP20	IP20	IP20
Mechanical Endurance §	Operations	10 000	8 000	6 000	5 000	5 000
Operating Torque (Maximum)	N•m lb•in					
Terminal Capacity Power Terminals	mm ² AWG	#1	300 MCM #6	600 MCM; 2 x 300 MCM #2 or 2 x #6	2 x 600 MCM 2 x #2	2 x 600 MCM 2 x #2
Auxiliary Contact Terminals	mm ² AWG	2.5...4 #14...#12	2.5...4 #14...#12	2.5...4 #14...#12	2.5...4 #14...#12	2.5...4 #14...#12
Maximum Number of Auxiliary Circuits		4	8	8	8	8
Approximate Weight	kg lbs	2.4 5.3	3.6 7.9	4.85 10.7	20 44	20 44
Minimum Enclosure Size Approximate dimensions in millimeters (inches)	Height Width Depth	—	—	—	—	—
Switch Dimension Reference (See dimension drawings.)		F5	F6	F7	F8	F8

§ Based on Rockwell Automation tests in accordance with the requirements as defined in CSA C22.2 No. 4, IEC 60947-3 and UL 98.

Non-Fused Disconnect Switches for CSA and UL Class Applications*

Electrical Ratings								
Cat. No.			194R-N30-1753		194R-N60-1753		194R-NU100-1753, 194R-NU100-1754	194R-NU200-1753, 194R-NU200-1754
Maximum Voltage	AC	[V]	600		600		600	600
	DC	[V]	250		250		250	250
Ampere Rating		[A]	30Δ		60Δ		100	200
Maximum Short Circuit Prospective Fault Current		[kA]	200		200		200	200
Maximum Hp, 3-Phase AC	200V, 60 Hz	[Hp]	7.5	3	15	7.5	—	—
	240V, 60 Hz	[Hp]	7.5	3	15	7.5		
	480V, 60 Hz	[Hp]	15	5	30	15		
	600V, 60 Hz	[Hp]	20	7.5	50	15		
Maximum Hp, 1-Phase AC	120V, 60 Hz	[Hp]	2	0.5	3	1.5	—	—
	240V, 60 Hz	[Hp]	3	1.5	10	3		
Maximum Hp, DC	125V DC	[Hp]	3	2	5	5	—	—
	250V DC	[Hp]	5	5	10	10		
Power Lost		[W]	2		6		—	—

* Non-fused disconnect switches must be used with separately installed fuses.

Electrical Ratings						
Cat. No.			194R-NU400-1753, 194R-NU400-1754	194R-NU600-1753, 194R-NU600-1754	194R-NU800-1753, 194R-NU800-1754	194R-NU1200-1753, 194R-NU1200-1754
Maximum Voltage	AC	[V]	600	600	600	600
	DC	[V]	250	250	250	250
Ampere Rating		[A]	400	600	800	1200
Fuse Type			J	J	L	L
Maximum Short Circuit Prospective Fault Current		[kA]	200	200	100	100

* Non-fused disconnect switches must be used with separately installed fuses.

Mechanical Data					
Cat. No.		194R-N30-1753	194R-N60-1753	194R-NU100-1753, 194R-NU100-1754	194R-NU200-1753, 194R-NU200-1754
Degree of Protection (per IEC 60947-3)	Switch Only	IP20	IP20	IP20	IP20
	Switch with Terminal Shield & Fuse Carriers	IP20	IP20	IP20	IP20
Mechanical Endurance §	Operations	10 000	10 000	10 000	10 000
Operating Torque (Maximum)	N•m	3.5	3.5	10	10
	lb•in	35	35	88.5	88.5
Terminal Capacity	mm ²	2.5...10	2.5...25	300 MCM	300 MCM
	AWG	#14...#8	#14...#4	#6	#6
Auxiliary Contact Terminals	mm ²	2.5...10	2.5...25	—	—
	AWG	#14...#8	#14...#4	—	—
Maximum Number of Auxiliary Circuits		6	6	2	2
Approximate Weight	kg	0.81	1.14	1.67/2.1	1.67/2.1
	lbs	1.78	2.52	3.7/4.3	3.7/4.3
Minimum Enclosure Size	Height	248 (9-3/4)	248 (9-3/4)	—	—
	Width	171 (6-3/4)	197 (7-3/4)	—	—
	Depth	111 (4-3/8)	111 (4-3/8)	—	—
Switch Dimension Reference	(See dimension drawings)	A2	B2	F1	F1

§ Non-fused disconnect switches must be used with separately installed fuses.

Mechanical Data					
Cat. No.		194R-NU400-1753, 194R-NU400-1754	194R-NU600-1753, 194R-NU600-1754	194R-NU800-1753, 194R-NU800-1754	194R-NU1200-1753, 194R-NU1200-1754
Degree of Protection (per IEC 60947-3)	Switch Only	IP20	IP20	IP20	IP20
	Switch with Terminal Shield & Fuse Carriers	IP20	IP20	IP20	IP20
Mechanical Endurance §	Operations	6 000	6 000	3 500	3 500
Operating Torque (Maximum)	N•m	14.5	37	50	50
	lb•in	128.3	327.5	442	442
Terminal Capacity	mm ²	600 MCM	2 x 600 MCM	4 x 600 MCM	4 x 600 MCM
	AWG	#2	2 x #2	4 x #2	4 x #2
Auxiliary Contact Terminals	mm ²	—	—	—	—
	AWG	—	—	—	—
Maximum Number of Auxiliary Circuits		2	2	2	2
Approximate Weight	kg	3/3.8	8.2/10.3	11.6/14.5	11.6/14.5
	lbs	6.6/8.4	18.1/22.7	25.6/32	25.6/32
Minimum Enclosure Size	Height	—	—	—	—
	Width	—	—	—	—
	Depth	—	—	—	—
Switch Dimension Reference	(See dimension drawings)	F2	F3	F4	F4

§ Non-fused disconnect switches must be used with separately installed fuses.

Non-Fused Disconnect Switches for IEC Applications*

Electrical Ratings								
Cat. No.			194R-N30-1753		194R-N60-1753		194R-NE125-1753, 194R-NE125-1754	194R-NE160-1753, 194R-NE160-1754
			Maximum Voltage	AC [V]	600		600	
	DC [V]	250		250		250	250	
Ampere Rating	[A]	30		60		125	160	
Maximum Short Circuit Prospective Fault Current	[kA]	200		200		100	100	
Maximum Hp, 3-Phase AC	200V, 60 Hz [Hp]	7.5	3	15	7.5	—	—	
	240V, 60 Hz [Hp]	7.5	3	15	7.5	—	—	
	480V, 60 Hz [Hp]	15	5	30	15	—	—	
	600V, 60 Hz [Hp]	20	7.5	50	15	—	—	
Maximum Hp, 1-Phase AC	120V, 60 Hz [Hp]	2	0.5	3	1.5	—	—	
	240V, 60 Hz [Hp]	3	1.5	10	3	—	—	
Maximum Hp, DC	125V DC [Hp]	3	2	5	5	—	—	
	250V DC [Hp]	5	5	10	10	—	—	
Power Lost	[W]	2		6		—	—	

* Non-fused disconnect switches must be used with separately installed fuses.

Electrical Ratings						
Cat. No.			194R-NE400-1753, 194R-NE400-1754	194R-NE630-1753, 194R-NE630-1754	194R-NE800-1753, 194R-NE800-1754	194R-NE1250-1753, 194R-NE1250-1754
Maximum Voltage	AC	[V]	600	600	600	600
	DC	[V]	250	250	250	250
Ampere Rating		[A]	400	630	800	1250
Maximum Short Circuit Prospective Fault Current		[kA]	100	70	50	50

* Non-fused disconnect switches must be used with separately installed fuses.

All Bulletin 194R Disconnect Switch Cat. Nos., 20...63 A Range

Environmental Data	
Ambient Temperature	
Open	°C (°F)
Enclosed	°C (°F)
Storage	°C (°F)
Altitude (per IEC 60947-1)	2,000
Relative Humidity (per IEC 60947-1)	90% @ +20 °C (+68 °F) 50% @ +40 °C (+104 °F)

Fused Disconnect Switches For CSA HRCII-C Fuses

Electrical Ratings		
Cat. No.	194R-H30-1753	194R-H60-1753
CSA Fuse Type	HRCII-C	HRCII-C
Maximum Fuse Cartridge Size	[A]	[A]
Maximum Voltage	AC [V]	AC [V]
Ampere Rating	[A]	[A]
Maximum Short Circuit Prospective Fault Current	[kA]	[kA]
Maximum Hp, 3-Phase AC		
200V, 60 Hz	[Hp]	[Hp]
240V, 60 Hz	[Hp]	[Hp]
480V, 60 Hz	[Hp]	[Hp]
600V, 60 Hz	[Hp]	[Hp]
Maximum Hp, 1-Phase AC		
120V, 60 Hz	[Hp]	[Hp]
240V, 60 Hz	[Hp]	[Hp]

Mechanical Data		
Cat. No.	194R-H30-1753	194R-H60-1753
Degree of Protection (per IEC 60947-3)		
Switch Only	IP 20	IP 20
Switch with Terminal Shield & Fuse Carriers	IP 20	IP 20
Mechanical Endurance *	Operations	Operations
Operating Torque (Maximum)	N•m lb•in	N•m lb•in
Terminal Capacity		
Power Terminals	mm ² AWG	mm ² AWG
Auxiliary Contact Terminals	mm ² AWG	mm ² AWG
Maximum Number of Auxiliary Circuits		
Approximate Weight	kg lbs	kg lbs
Minimum Enclosure Size	Height	Height
Approximate dimensions in millimeters (inches)	Width	Width
	Depth	Depth
Switch Dimension Reference (See dimension drawings.)	B1	B1

* Based on Rockwell Automation tests in accordance with the requirements as defined in CSA C22.2 No. 4 and IEC 60947-3.

Fused Disconnect Switches For BS88 Fuses*

* Fuse classes BS88, DIN, and NFC are not suitable for use in North American applications

Electrical Ratings							
Cat. No.	194R-B20-1753		194R-B32-1753	194R-B63-1753		194R-B100-1753	194R-B160-1753
Fuse Type	BS88 Dimension		A1	A2	A2, A3		
Rated Insulation Voltage (U_i)	[V]	1000		1000	1000		750 750
Rated Conditional Short-Circuit Current (r.m.s.) at 415V	[kA]	100		100	100		— —
Rated Operational Current AC-22A (I_e)		Fuse Links	Shorting Links	Fuse Links	Fuse Links	Shorting Links	— —
200/230V 50 Hz	[A]	20	32	32	63	63	— —
380/400/415V 50 Hz	[A]	20	32	32	63	63	100 160
500V 50 Hz	[A]	20	32	32	63	63	— —
660/690V 50 Hz	[A]	20	32	32	63	63	100 160
Rated Operational Current AC-23A (I_e)							
200/230V 50 Hz	[A]	20	32	31	60.5	60	— —
380/400/415V 50 Hz	[A]	22	32	35	57	57	100 160
500V 50 Hz	[A]	20	32	32.5	57	57	— —
660/690V 50 Hz	[A]	17	32	32.5	57	57	100 160
Rated Thermal Current (I_{the})	[A]	20	32	32	63	63	100 160
Maximum kW, AC-23A 3-Phase							
200/230V 50 Hz	[kW]	5.5	9	9	18.5	18.5	— —
380/400/415V 50 Hz	[kW]	11	18.5	18.5	30	30	51 63
500V 50 Hz	[kW]	11	18.5	18.5	30	30	— —
660/690V 50 Hz	[kW]	15	30	30	55	55	90 90
Maximum Fuse Rating	[A]	20	—	32	63	—	100 160
Maximum Motor Circuit Fuse Link		20M32	—	32M63	63M100	—	— —
Maximum Fuse Cut-off Current*	[kA]	7.5	7.5	7.5	10	10	— —
Rated Short Time Current, 1 Second	[kA]	1		1	1		— —

* Fuses must be selected with regard to the maximum prospective fault current of the system and the maximum cut-off current of the fuse when subjected to that maximum fault current. The maximum fuse cut-off current as specified for each disconnect switch must not be exceeded.

Electrical Ratings							
Cat. No.	194R-B200-1753	194R-B250-1753	194R-B400-1753	194R-B630-1753	194R-B800-1753	194R-B1250-1753	
Fuse Type	BS88 Dimension						
Rated Insulation Voltage (U_i)	[V]	750	750	750	750	750	750
Rated Conditional Short-Circuit Current (r.m.s.) at 415V	[kA]	—	—	—	—	—	—
Rated Operational Current AC-22A (I_e)		—	—	—	—	—	—
200/230V 50 Hz	[A]	—	—	—	—	—	—
380/400/415V 50 Hz	[A]	200	250	400	630	800	1250
500V 50 Hz	[A]	—	—	—	—	—	—
660/690V 50 Hz	[A]	200	250	315	500	800	800
Rated Operational Current AC-23A (I_e)							
200/230V 50 Hz	[A]	—	—	—	—	—	—
380/400/415V 50 Hz	[A]	200	250	400	630	800	1000
500V 50 Hz	[A]	—	—	—	—	—	—
660/690V 50 Hz	[A]	200	250	250	315	630	800
Rated Thermal Current (I_{the})	[A]	200	250	400	630	800	1250
Maximum kW, AC-23A 3-Phase							
200/230V 50 Hz	[kW]	—	—	—	—	—	—
380/400/415V 50 Hz	[kW]	80	132	220	355	450	560
500V 50 Hz	[kW]	—	—	—	—	400	400
660/690V 50 Hz	[kW]	110	220	220	295	—	—
Maximum Fuse Rating	[A]	200	250	400	630	800	1250
Maximum Motor Circuit Fuse Link		—	—	—	—	—	—
Maximum Fuse Cut-off Current*	[kA]	—	—	—	—	—	—
Rated Short Time Current, 1 Second	[kA]	—	—	—	—	—	—

* Fuses must be selected with regard to the maximum prospective fault current of the system and the maximum cut-off current of the fuse when subjected to that maximum fault current. The maximum fuse cut-off current as specified for each disconnect switch must not be exceeded.

Mechanical Data						
Cat. No.		194R-B20-1753	194R-B32-1753	194R-B63-1753	194R-B100-1753	194R-B160-1753
Degree of Protection (per IEC 60947-3) Switch Only		IP20	IP20	IP20	IP20	IP20
	Switch with Terminal Shield & Fuse Carriers	IP20	IP20	IP20	IP20	IP20
Mechanical Endurance Operations §		10 000	10 000	10 000	10 000	10 000
Operating Torque (Maximum)	N•m	3.5	3.5	3.5	8.3	8.3
	lb•in	35	35	35	95	95
Terminal Capacity Power Terminals	mm ²	2.5...10	2.5...10	2.5...25		
		#14...#8	#14...#8	#14...#4		
Auxiliary Contact Terminals	mm ²	2.5...4	2.5...4	2.5...4	2.5...4	2.5...4
	AWG	#14...#12	#14...#12	#14...#12	#14...#12	#14...#12
Maximum Number of Auxiliary Circuits		6	6	6		
Approximate Weight	kg	0.83	0.83	1.18	1.88	2.37
	lbs	1.84	1.84	2.60	4.75	5.22
Minimum Enclosure Size Approximate dimensions in millimeters (inches)	Height	248 (9-3/4)	248 (9-3/4)	248 (9-3/4)		
	Width	171 (6-3/4)	171 (6-3/4)	197 (7-3/4)		
	Depth	148 (5-13/16)	148 (5-13/16)	148 (5-13/16)		
Switch Dimension Reference (See dimension drawings.)		A1	A1	B1	F13	F14

§ Based on Rockwell Automation tests in accordance with the requirements as defined in IEC 60947-3.

Mechanical Data							
Cat. No.		194R-B200-1753	194R-B250-1753	194R-B400-1753	194R-B630-1753	194R-B800-1753	194R-B1250-1753
Degree of Protection (per IEC 60947-3) Switch Only		IP20	IP20	IP20	IP20	IP20	IP20
	Switch with Terminal Shield & Fuse Carriers	IP20	IP20	IP20	IP20	IP20	IP20
Mechanical Endurance Operations §		10 000	10 000	10 000	8 000	5 000	5 000
Operating Torque (Maximum)	N•m	20	20	20	40	40	40
	lb•in	—	—	—	—	—	—
Terminal Capacity Power Terminals	mm ²	240	240	240	240	240	240
Auxiliary Contact Terminals	mm ²	2.5...4	2.5...4	2.5...4	2.5...4	2.5...4	2.5...4
	AWG	#14...#12	#14...#12	#14...#12	#14...#12	#14...#12	#14...#12
Maximum Number of Auxiliary Circuits		4	8	8	8	8	8
Approximate Weight	kg	3.77	3.77	4.85	17.77	19.77	37
	lbs	8.37	8.37	10.7	39	43.6	87.57
Minimum Enclosure Size Approximate dimensions in millimeters (inches)	Height	—	—	—	—	—	—
	Width	—	—	—	—	—	—
	Depth	—	—	—	—	—	—
Switch Dimension Reference (See dimension drawings.)		F15	F15	F16	F17	F17	F18

§ Based on Rockwell Automation tests in accordance with the requirements as defined in IEC 60947-3.

Fused Disconnect Switches For DIN Fuses ♣

♣ Fuse classes BS88, DIN, and NFC are not suitable for use in North American applications

Electrical Ratings					
Cat. No.		194R-D32-1753	194R-D63-1753	194R-D125-1753	194R-D160-1753
Fuse Type	DIN Dimension	00	0, 00	—	—
Rated Insulation Voltage (U_i)	[V]	1000	1000	750	750
Rated Conditional Short-Circuit Current (r.m.s.) at 415V	[kA]	100	100	—	—
Rated Operational Current AC-22A (I_e)	Fuse Links	Fuse Links	Fuse Links	—	—
200/230V 50 Hz	[A]	32	63	—	—
380/400/415V 50 Hz	[A]	32	63	—	160
500V 50 Hz	[A]	32	63	—	—
660/690V 50 Hz	[A]	32	63	—	160
Rated Operational Current AC-23A (I_e)					
200/230V 50 Hz	[A]	31	60.5	—	—
380/400/415V 50 Hz	[A]	35	57	—	160
500V 50 Hz	[A]	32.5	57	—	—
660/690V 50 Hz	[A]	32.5	57	—	160
Rated Thermal Current (I_{the})	[A]	40	63	125	160
Maximum kW, AC-23A 3-Phase					
200/230V 50 Hz	[kW]	9	18.5	—	—
380/400/415V 50 Hz	[kW]	18.5	30	—	63
500V 50 Hz	[kW]	18.5	30	—	—
660/690V 50 Hz	[kW]	30	55	—	90
Maximum Fuse Rating	[A]	32	63	125	160
Maximum Motor Circuit Fuse Link		—	—	—	—
Maximum Fuse Cut-off Current *	[kA]	14	20	—	—
Rated Short Time Current, 1 Second	[kA]	1	1	—	—

* Fuses must be selected with regard to the maximum prospective fault current of the system and the maximum cut-off current of the fuse when subjected to that maximum fault current. The maximum fuse cut-off current as specified for each disconnect switch must not be exceeded.

Electrical Ratings						
Cat. No.		194R-D250-1753	194R-D400-1753	194R-D630-1753	194R-D800-1753	194R-D1250-1753
Fuse Type	BS88 Dimension	—	—	—	—	—
Rated Insulation Voltage (U_i)	[V]	750	750	750	750	750
Rated Conditional Short-Circuit Current (r.m.s.) at 415V	[kA]	—	—	—	—	—
Rated Operational Current AC-22A (I_e)						
200/230V 50 Hz	[A]	—	—	—	—	—
380/400/415V 50 Hz	[A]	250	400	630	800	1250
500V 50 Hz	[A]	—	—	—	—	—
660/690V 50 Hz	[A]	250	315	500	800	800
Rated Operational Current AC-23A (I_e)						
200/230V 50 Hz	[A]	—	—	—	—	—
380/400/415V 50 Hz	[A]	250	400	630	800	1000
500V 50 Hz	[A]	—	—	—	—	—
660/690V 50 Hz	[A]	250	250	315	630	800
Rated Thermal Current (I_{the})	[A]	250	400	630	800	1250
Maximum kW, AC-23A 3-Phase						
200/230V 50 Hz	[kW]	—	—	—	—	—
380/400/415V 50 Hz	[kW]	132	220	355	450	560
500V 50 Hz	[kW]	—	—	—	400	400
660/690V 50 Hz	[kW]	220	220	295	—	—
Maximum Fuse Rating	[A]	250	400	630	800	1250
Maximum Motor Circuit Fuse Link		—	—	—	—	—
Maximum Fuse Cut-off Current *	[kA]	—	—	—	—	—
Rated Short Time Current, 1 Second	[kA]	—	—	—	—	—

* Fuses must be selected with regard to the maximum prospective fault current of the system and the maximum cut-off current of the fuse when subjected to that maximum fault current. The maximum fuse cut-off current as specified for each disconnect switch must not be exceeded.

Mechanical Data					
Cat. No.		194R-D32-1753	194R-D63-1753	194R-D125-1753	194R-D160-1753
Degree of Protection (per IEC 60947-3)	Switch Only	IP20	IP20	IP20	IP20
	Switch with Terminal Shield & Fuse Carriers	IP20	IP20	IP20	IP20
Mechanical Endurance ‡	Operations	10 000	8 000	10 000	10 000
Operating Torque (Maximum)	N•m	3.5	3.5	8.3	8.3
	lb•in	35	35	95	95
Terminal Capacity	Power Terminals	2.5...25 #14...#4	2.5...25 #14...#4	2.5...25 #14...#4	2.5...25 #14...#4
	Auxiliary Contact Terminals	2.5...4 #14...#12	2.5...4 #14...#12	2.5...4 #14...#12	2.5...4 #14...#12
Maximum Number of Auxiliary Circuits		6	6	6	6
Approximate Weight	kg	1.18	1.18	1.88	2.37
	lbs	2.60	2.60	4.75	5.22
Minimum Enclosure Size Approximate dimensions in millimeters (inches)	Height	248 (9-3/4)	248 (9-3/4)	—	—
	Width	197 (7-3/4)	197 (7-3/4)	—	—
	Depth	148 (5-13/16)	148 (5-13/16)	—	—
Switch Dimension Reference (See dimension drawings.)		B1	B1	F13	F13

‡ Based on Rockwell Automation tests in accordance with the requirements as defined in IEC 60947-3.

Mechanical Data						
Cat. No.		194R-D250-1753	194R-D400-1753	194R-D630-1753	194R-D800-1753	194R-D1250-1753
Degree of Protection (per IEC 60947-3)	Switch Only	IP20	IP20	IP20	IP20	IP20
	Switch with Terminal Shield & Fuse Carriers	IP20	IP20	IP20	IP20	IP20
Mechanical Endurance Operations §		10 000	10 000	8 000	5 000	5 000
Operating Torque (Maximum)	N•m	20	20	40	40	40
	lb•in	—	—	—	—	—
Terminal Capacity	Power Terminals	240	240	240	240	240
	Auxiliary Contact Terminals	2.5...4 #14...#12	2.5...4 #14...#12	2.5...4 #14...#12	2.5...4 #14...#12	2.5...4 #14...#12
Maximum Number of Auxiliary Circuits		8	8	8	8	8
Approximate Weight	kg	3.77	4.85	17.77	19.77	37
	lbs	8.37	10.7	39	43.6	87.57
Minimum Enclosure Size Approximate dimensions in millimeters (inches)	Height	—	—	—	—	—
	Width	—	—	—	—	—
	Depth	—	—	—	—	—
Switch Dimension Reference (See dimension drawings.)		F15	F16	F17	F17	F18

§ Based on Rockwell Automation tests in accordance with the requirements as defined in IEC 60947-3.

Wiring Schematic

UL LISTED, CSA CERTIFIED	DIMENSION REFERENCE	CIRCUIT
Cat. No.		
194R-C30-1753 194R-J30-1753 194R-J60-1753 194R-H30-1753 194R-H60-1753	A1 A1 B1 B1 B1	
194R-N30-1753 194R-N60-1753	A2 B2	

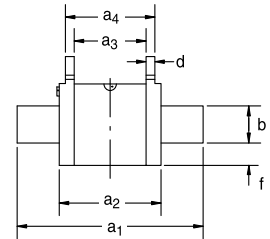
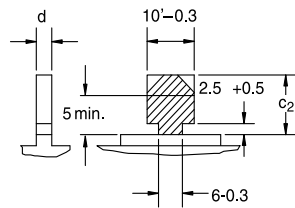
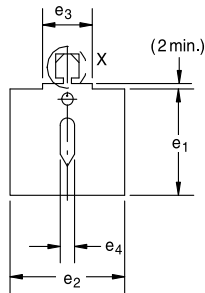
IEC SWITCHES	DIMENSION REFERENCE	CIRCUIT
Cat. No.		
194R-B20-1753 194R-B32-1753 194R-B63-1753 194R-D32-1753 194R-D63-1753 194R-F25-1753 194R-F32-1753 194R-F63-1753	A1 A1 B1 B1 B1 A1 A1 B1	
194R-*-1754	(See 3-pole Dimension Reference) for Fused Switches	

DIN Fuses (100 A shown)

Dimensions in millimeters only.
Dimensions are not intended to be used for manufacturing purposes.

- IEC fuse type: Fuse-link with blade contacts
- Voltage rating: 660/690V AC
- Interrupting rating: 120,000 A
- Standard cartridge sizes: 00, 0, 1 and 2
- Typical ampere ratings: 2...400 A

- Construction: Blade type
- Can be installed on Bulletin 194R disconnect switch Cat. Nos: 194RND072P3, ND138P3, ND250P3, ND300P3
- Where used: Europe, South America, Middle East and India



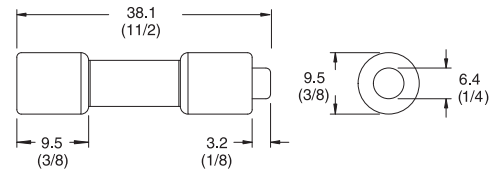
Size	Max. Rated Current [A]	a1	a2	a3	a4	b (min.)	d	e1 (max.)	e2 (max.)	e3	e4 ±0.2	f
00	100	78.5 ± 1.5	53	45 ± 1.5	49 ± 1.5	15	2 ± 0.5	48	30	20 ± 5	6	12.5
0	160	125 ± 2.5	67	62 +3 -1.5	68 ± 1.5 -3	15	2 + 1.5 -0.5	48	40	20 ± 5	6	11.5
1	250	135 ± 2.5	71	62 ± 2.5	68 ± 2.5	20	2.5 + 1.5 -0.5	53	52	20 + 5 -2	6	10
2	400	150 ± 2.5	72	62 ± 2.5	68 ± 2.5	25	2.5 + 1.5 -0.5	61	60	20 + 5 -2	6	10

With Bulletin 194R Fused Disconnect Switches, Continued

CSA HRCI and UL Class Fuses (10 A shown)

Dimensions in millimeters (inches).
Dimensions are not intended to be used for manufacturing purposes.

- UL fuse type: Class CC
- CSA fuse type: HRCI-MISC
- Voltage rating: 600V AC
- Interrupting rating: 200 000 A
- Standard cartridge sizes: 30 A
- Typical ampere ratings: 1...30 A
- Construction: Ferrule type
- Can be installed on Bulletin 194R disconnect switch



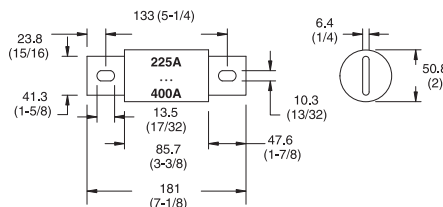
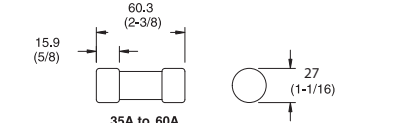
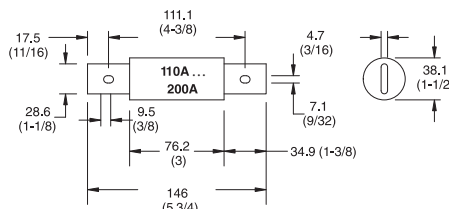
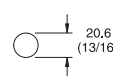
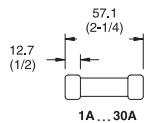
Cat. No: 194R-NC030P3

- Where used: North America

CSA HRCI and UL Class Fuses (30 A shown)

Dimensions in millimeters (inches).
Dimensions are not intended to be used for manufacturing purposes.

- CSA fuse type: HRCI-J
- UL fuse type: Class J
- Voltage rating: 600V AC
- Interrupting rating: 200 000 A
- Standard cartridge sizes: 30, 60, 100, 200, and 400 A
- Typical ampere ratings: 1...600 A; Blade type for bolted connection
- Can be installed on Bulletin 194R disconnect switch **Cat. Nos: 194R-NJ030P3, NJ060P3, NJ100P3, NJ200P3, NJ400P3**
- Where used: North America

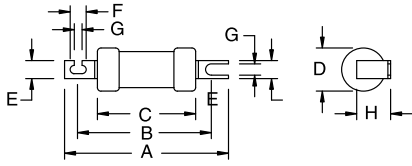


CSA HRCII Fuses (100 A shown)

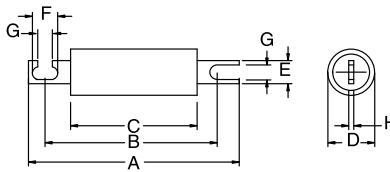
Dimensions in millimeters (inches).

Dimensions are not intended to be used for manufacturing purposes.

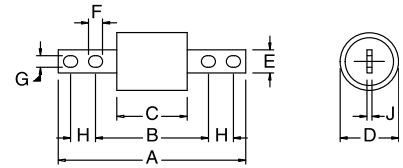
- CSA fuse type: HRCII-C
- Voltage rating: 600V AC
- Interrupting rating: 200 000 A
- Standard cartridge sizes: 30, 60, 100, 200, and 400 A
- Typical ampere ratings: 1...400 A
- Construction: Blade type for bolted connection
- Can be installed on Bulletin 194R disconnect switch
- **Cat. Nos: 194R-NA200P3, NA300P3, NH100P3, NH200P3, NH400P3**
- Where used: Canada



Standard Cartridge Sizes 30, 60, and 100 A



Standard Cartridge Size 200 A



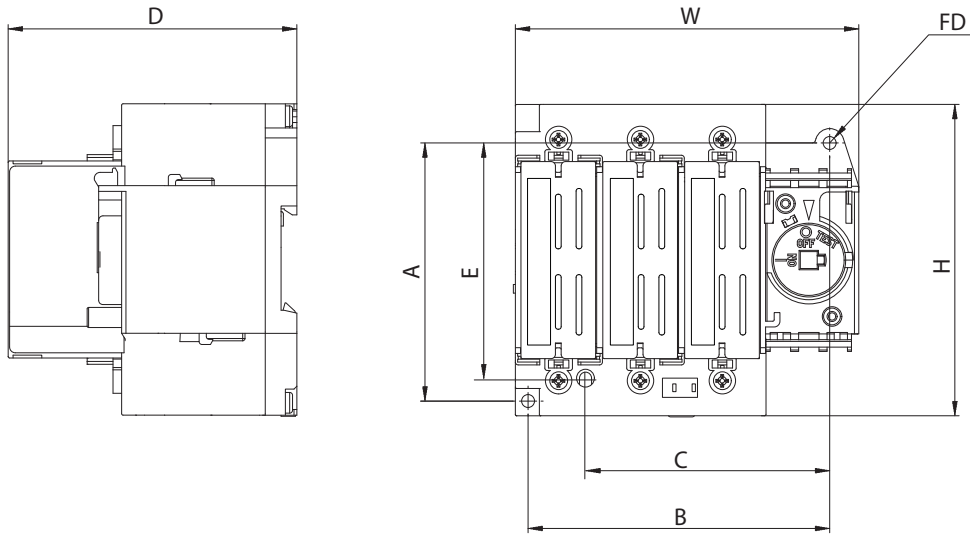
Standard Cartridge Size 400 A

Current Range [A]	A	B	C	D	E	F	G	H	J
0...30	84.14 (3-5/16)	71.04 (2-51/64)	50.8 (2)	20.64 (13/16)	8.73 (11/32)	7.54 (19/64)	5.56 (7/32)	23.81 (15/16)	1.59 (1/16)
31...60	88.9 (3-1/2)	71.04 (2-51/64)	50.8 (2)	20.64 (13/16)	12.7 (1/2)	7.54 (19/64)	5.56 (7/32)	26.99 (1-1/16)	1.59 (1/16)
61...100	109.54 (4-5/16)	92.47 (3-41/64)	60.72 (2-25/64)	34.13 (1-11/32)	19.05 (3/4)	11.91 (15/32)	8.73 (11/32)	34.93 (1-3/8)	2.38 (3/32)
101...200	134.94 (5-5/16)	109.14 (4-19/64)	76.2 (3)	38.1 (1-1/2)	19.05 (3/4)	11.91 (15/32)	8.73 (11/32)	3.18 (1/8)	—
201...400	207.96 (8-3/16)	133.35 (5-1/4)	76.2 (3)	60.33 (2-3/8)	25.4 (1)	12.7 (1/2)	9.53 (3/8)	25.4 (1)	4.76 (3/16)
401...600	207.96 (8-3/16)	133.35 (5-1/4)	76.2 (3)	76.2 (3)	25.4 (1)	15.08 (19/32)	10.32 (13/32)	25.4 (1)	9.53 (3/8)

Approximate Dimensions

Dimensions in millimeters (inches). Dimensions are not intended to be used for manufacturing purposes.

Disconnect Switch Dimension References A1, A2, B1, and B2 (30 A and 60 A)



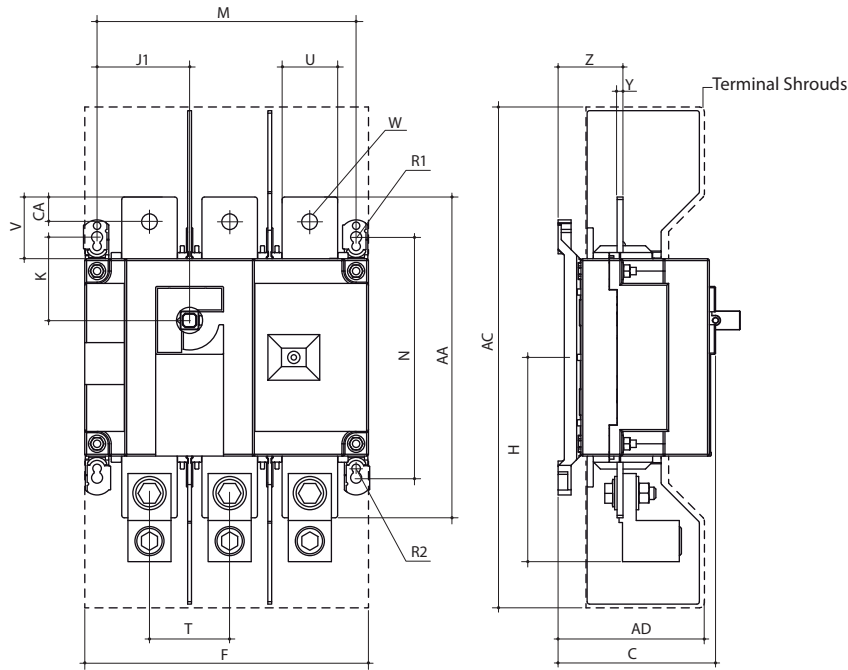
Disconnect Switch Dimension Reference	Approximate Dimensions mm (in)							
	H	W	D	A	B	C‡	E‡	FD
A1	108 (4-1/4)	120 (4-3/4)	101 (4)	90 (3-9/16)	105 (4-1/8)	85 (3-11/32)	82 (3-15/64)	2-M4, 2-#8
A2	108 (4-1/4)	120 (4-3/4)	80 (3-1/8)	90 (3-9/16)	105 (4-1/8)	85 (3-11/32)	82 (3-15/64)	2-M4, 2-#8
B1	113 (4-29/64)	142 (5-19/32)	114 (4-31/64)	100 (3-15/16)	120 (4-23/32)	N/A	N/A	4-M4, 4-#8
B2	113 (4-29/64)	142 (5-19/32)	93 (3-43/64)	100 (3-15/16)	120 (4-23/32)	N/A	N/A	4-M4,4-#8

‡ Mounting holes for backward compatibility with Bulletin 194R legacy switches.

Dimensions in millimeters (inches). Dimensions are not intended to be used for manufacturing purposes.

UL/CSA Disconnect Switches 100...1200 A

UL/CSA Non-Fused Disconnect Switches



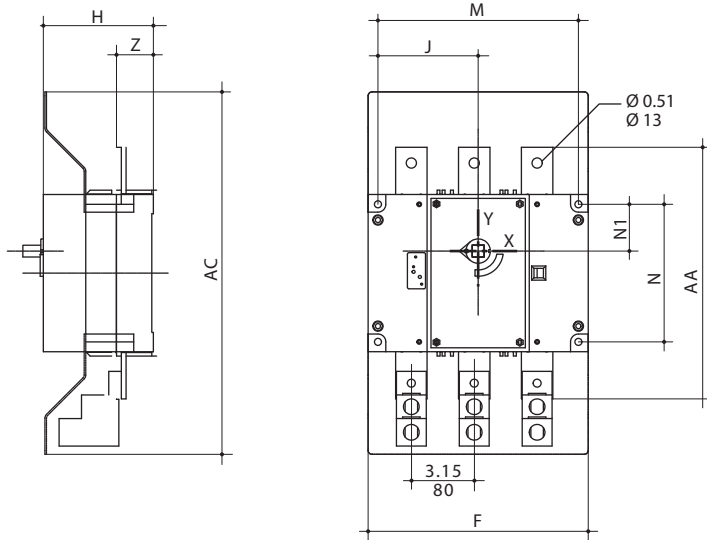
Cat. No. 194R-N...	Disconnect Switch Dimension Reference	Approximate Dimensions mm (in)													
		Overall		Terminal Shrouds		Switch Body					Switch Mounting				
		C	AC	AD	F (3-pole)	F (4-pole)	H	J1 (3-pole)	J1 (4-pole)	K	M (3-pole)	M (4-pole)	N	R1	R2
100	F1	94.6 (3.72)	256 (10.1)	77.5 (3.05)	180 (7.09)	230 (9.06)	107 (4.22)	55 (2.17)	105 (4.13)	45.6 (1.8)	160 (6.3)	210 (8.7)	135 (5.31)	9 (0.35)	7 (0.27)
200		94.6 (3.72)	256 (10.1)	77.5 (3.05)	180 (7.09)	230 (9.06)	107 (4.22)	55 (2.17)	105 (4.13)	45.6 (1.8)	160 (6.3)	210 (8.7)	135 (5.31)	9 (0.35)	7 (0.27)
400	F2	128 (4.92)	406 (16)	115 (4.15)	230 (9.05)	290 (11.4)	166 (6.53)	75 (2.95)	135 (5.31)	67.5 (2.65)	210 (8.26)	270 (10.6)	195 (7.67)	9 (0.35)	7 (0.27)

Cat. No. 194R-N...	Disconnect Switch Dim. Ref.	Approximate Dimensions mm (in)							
		Connection							
		T	U	V	W	Y	Z	AA	AC
100	F1	50 (1.97)	25 (0.98)	30 (1.18)	11 (0.43)	3.5 (0.14)	34.4 (0.14)	160 (6.3)	15 (0.6)
200		50 (1.97)	25 (0.98)	30 (1.18)	11 (0.43)	3.5 (0.14)	34.4 (0.14)	160 (6.3)	15 (0.6)
400	F2	65 (2.56)	45 (1.77)	50 (1.97)	13 (0.51)	5 (0.2)	53 (2.08)	260 (10.2)	20 (0.8)

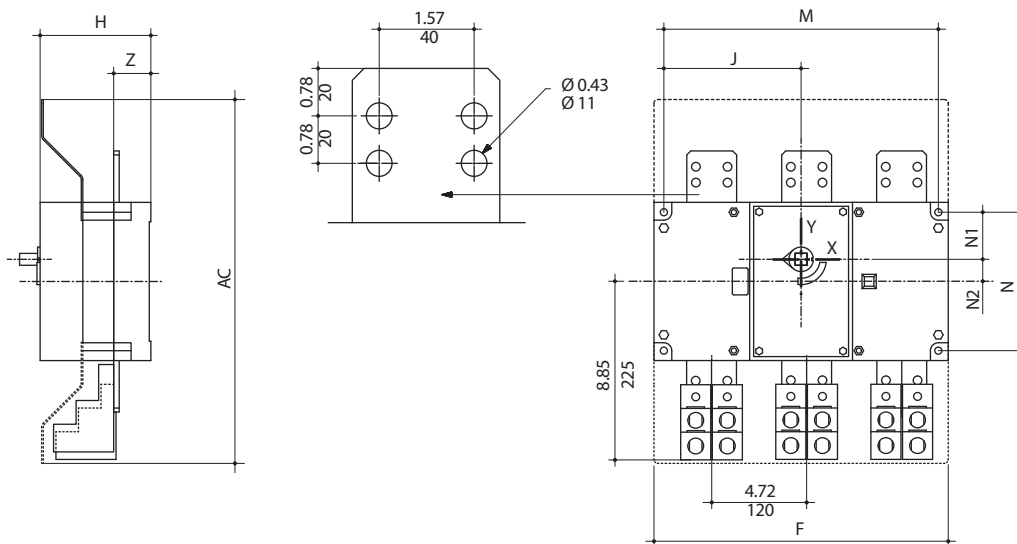
194R Rotary Disconnect Switches

Approximate Dimensions

Dimensions in millimeters (inches). Dimensions are not intended to be used for manufacturing purposes.



Cat. No. 194R-N...	Disconnect Switch Dim.Ref.	Approximate Dimensions mm (in)											
		Terminal Shrouds		Switch Body				Switch Mounting				Connection	
		AC	F (3-pole)	F (4-pole)	H	J (3-pole)	J (4-pole)	M (3-pole)	M (4-pole)	N	N1	AA	Z
600	F3	460 (18.12)	280 (11)	360 (14.17)	140 (5.5)	127.5 (5)	167.5 (6.59)	255 (10.03)	335 (13.19)	175(6.88)	59.5 (2.34)	320 (12.6)	47 (1.85)



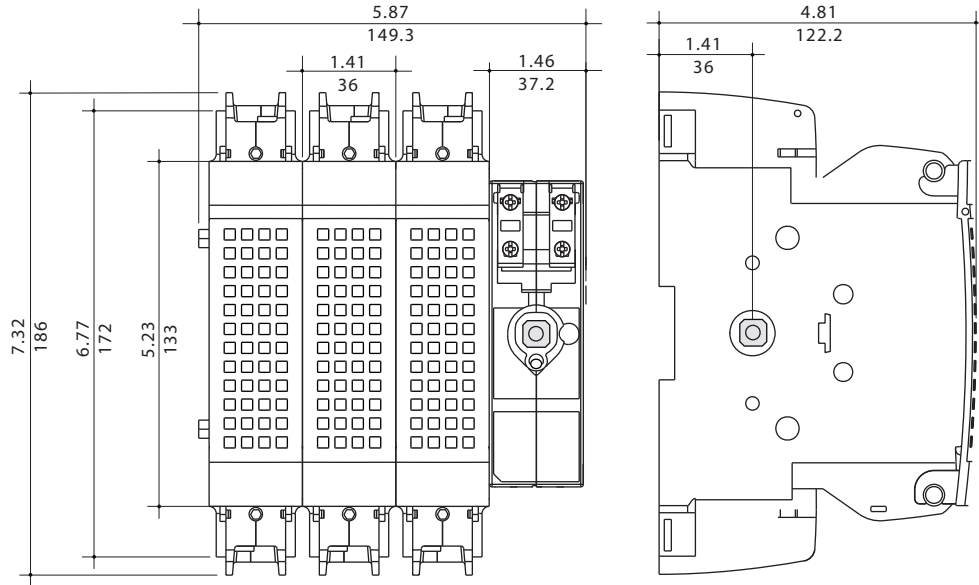
Cat. No. 194R-N...	Disconnect Switch Dimension Reference	Approximate Dimensions mm (in)											
		Terminal Shrouds		Switch Body				Switch Mounting				Connection	
		AC	F (3-pole)	F (4-pole)	H	J1 (3-pole)	J1 (4-pole)	M (3-pole)	M (4-pole)	N	N1	AA	Z
800	F4	460 (18.12)	372 (14.64)	492 (19.37)	140 (5.5)	173.5 (6.83)	233.5 (9.19)	347 (13.66)	467 (18.38)	175 (6.88)	59.5 (2.34)	28 (1.10)	47 (1.85)
1200		460 (18.12)	372 (14.64)	492 (19.37)	140 (5.5)	173.5 (6.83)	233.5 (9.19)	347 (13.66)	467 (18.38)	175 (6.88)	59.5 (2.34)	330 (13)	47 (1.85)

Approximate Dimensions

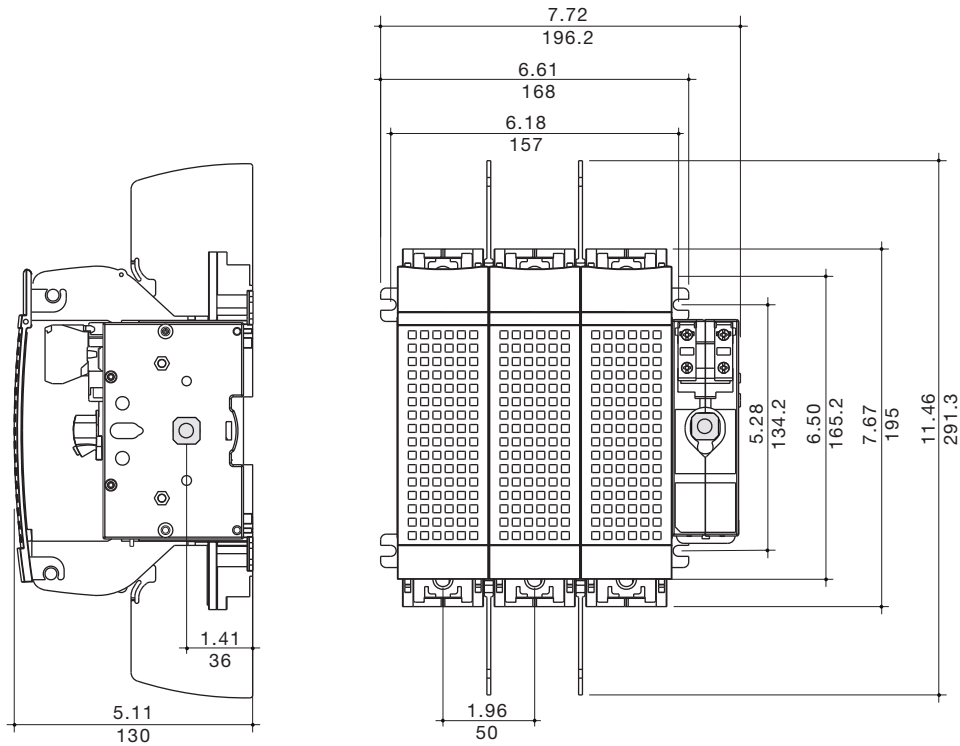
194R Rotary Disconnect Switches

Dimensions in millimeters (inches). Dimensions are not intended to be used for manufacturing purposes.

UL/CSA Fused Disconnect Switches

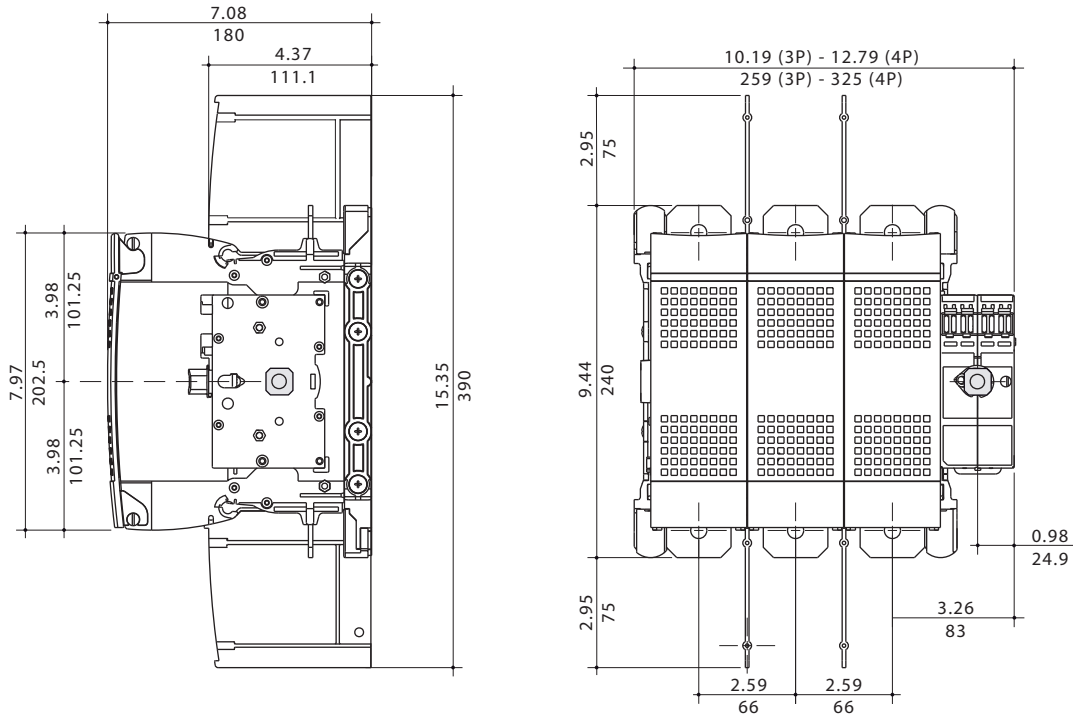


Cat. No. 194R-J100
Frame Size F5

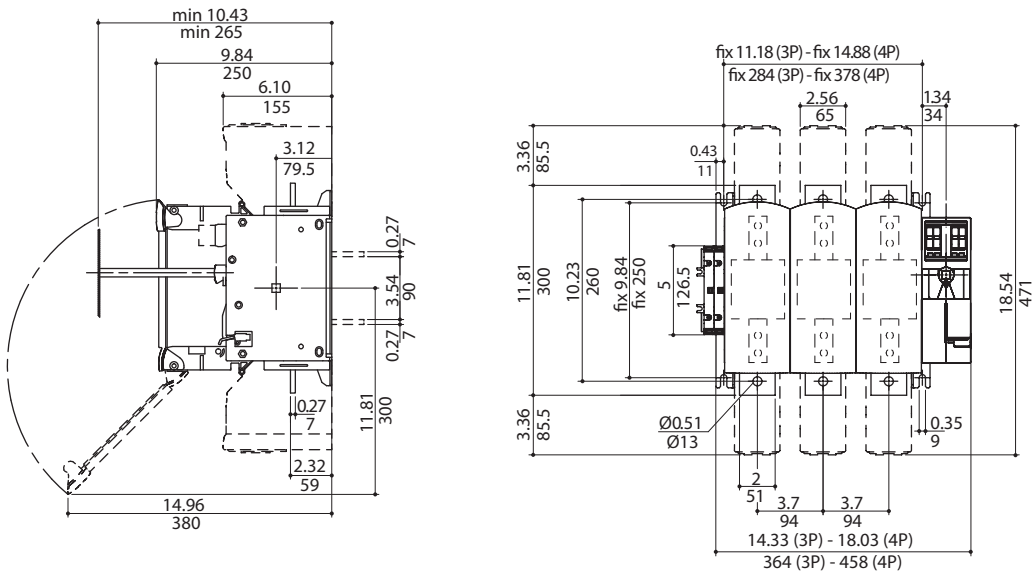


Cat. No. 194R-J200
Frame Size F6

Dimensions in millimeters (inches). Dimensions are not intended to be used for manufacturing purposes.



Cat. No. 194R-J400
Frame Size F7



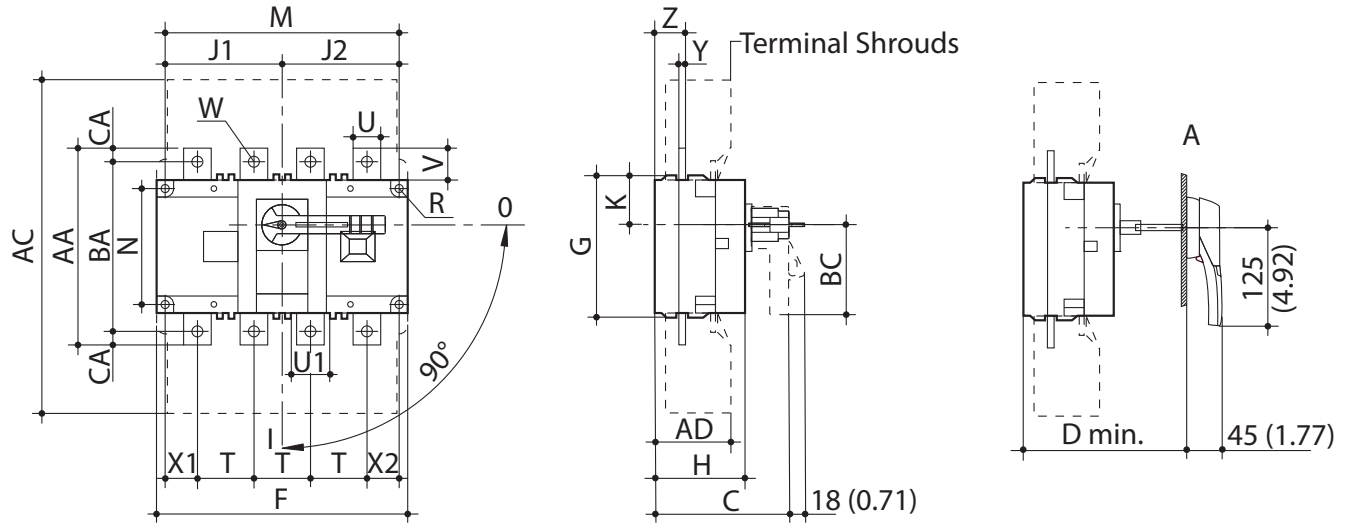
Cat. No. 194R-J600, -J800
Frame Size F8

Approximate Dimensions

194R Rotary Disconnect Switches

Dimensions in millimeters (inches). Dimensions are not intended to be used for manufacturing purposes.

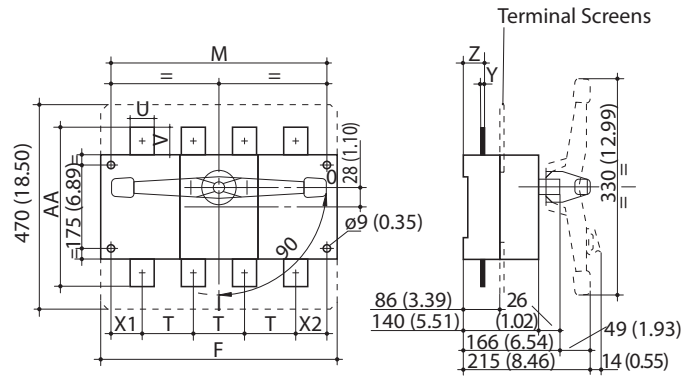
IEC Disconnect Switches 125...1250 A
IEC Non-Fused Disconnect Switches



Approximate Dimensions mm (in)																	
Cat. No. 194R-NE...	Overall		Terminal Shrouds		Switch Body								Switch Mounting				
	C	D (min.)	AC	AD	F (3-pole)	F (4-pole)	G	H	J1 (3-pole)	J1 (4-pole)	J2	K	BC	M (3-pole)	M (4-pole)	N	R
125	115 (4.53)	125 (4.92)	235 (9.25)	50 (1.97)	140 (5.51)	170 (6.69)	93 (3.66)	65 (2.56)	45 (1.77)	75 (2.95)	75 (2.95)	31.5 (1.24)	80 (3.15)	120 (4.72)	150 (5.90)	65 (2.56)	5.5 (0.21)
160	115 (4.53)	125 (4.92)	235 (9.25)	50 (1.97)	140 (5.51)	170 (6.69)	93 (3.66)	65 (2.56)	45 (1.77)	75 (2.95)	75 (2.95)	31.5 (1.24)	80 (3.15)	120 (4.72)	150 (5.90)	65 (2.56)	5.5 (0.21)
250	125 (4.92)	135 (5.31)	280 (11.02)	60 (2.36)	180 (7.09)	230 (9.06)	108 (4.25)	75 (2.95)	55 (2.17)	105 (4.13)	105 (4.13)	34 (1.34)	115 (4.53)	160 (6.30)	80 (3.15)	210 (8.27)	5.5 (0.21)
400	160 (6.30)	165 (6.50)	401 (15.79)	89 (3.50)	230 (9.05)	290 (11.40)	170 (6.69)	110 (4.33)	75 (2.95)	135 (5.31)	135 (5.31)	55 (2.17)	115 (4.53)	210 (8.28)	270 (10.60)	140 (5.51)	7 (0.28)
630	160 (6.30)	165 (6.50)	401 (15.79)	89 (3.50)	230 (9.05)	290 (11.40)	170 (6.69)	110 (4.33)	75 (2.95)	135 (5.31)	135 (5.31)	55 (2.17)	115 (4.53)	210 (8.28)	270 (10.60)	140 (5.51)	7 (0.28)

Approximate Dimensions mm (in)													
Cat. No. 194R-NE...	Connection												
	T	U	U1	V	W	X1 (3-pole)	X1 (4-pole)	X2	Y	Z	AA	BA	AC
125	36 (1.41)	20 (0.79)	20.5 (0.81)	25 (0.98)	9 (0.35)	28 (1.10)	22 (87)	20 (0.79)	3.5 (0.14)	20.5 (0.81)	135 (5.31)	115 (4.53)	10 (0.39)
160	36 (1.41)	20 (0.79)	20.5 (0.81)	25 (0.98)	9 (0.35)	28 (1.10)	22 (87)	20 (0.79)	3.5 (0.14)	20.5 (0.81)	135 (5.31)	115 (4.53)	10 (0.39)
250	50 (1.97)	25 (0.98)	25.5 (1.00)	30 (1.18)	11 (0.43)	33 (1.30)	33 (1.30)	27 (1.06)	3.5 (0.14)	22.5 (0.89)	160 (6.30)	130 (5.12)	15 (0.60)
400	65 (2.56)	32 (1.26)	45.5 (1.79)	37.5 (1.48)	11 (0.43)	42.5 (1.67)	37.5 (1.48)	37.5 (1.48)	5 (0.20)	36 (1.41)	235 (9.25)	205 (8.07)	15 (0.60)
630	65 (2.56)	32 (1.26)	45.5 (1.79)	37.5 (1.48)	11 (0.43)	42.5 (1.67)	37.5 (1.48)	37.5 (1.48)	5 (0.20)	36 (1.41)	235 (9.25)	205 (8.07)	20 (0.79)




Dimensions in millimeters (inches). Dimensions are not intended to be used for manufacturing purposes.

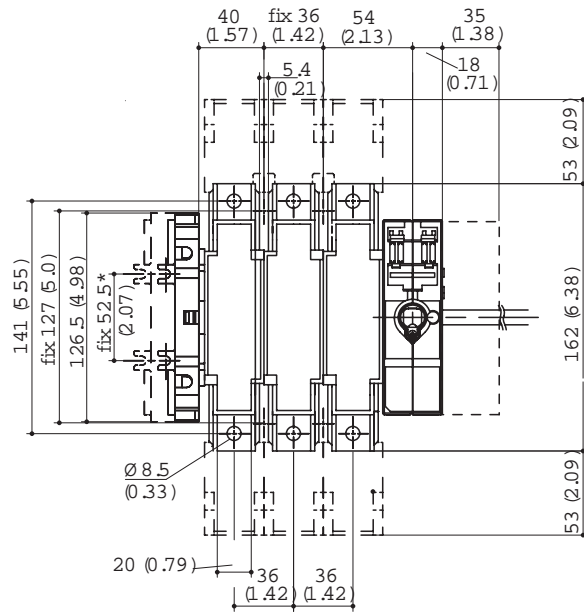
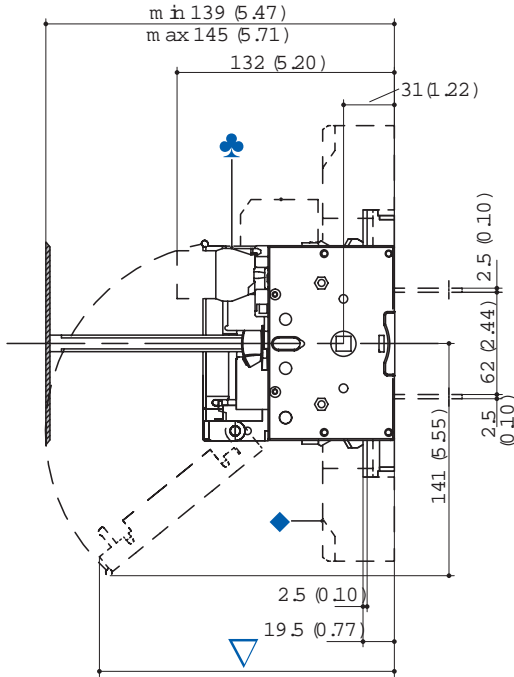
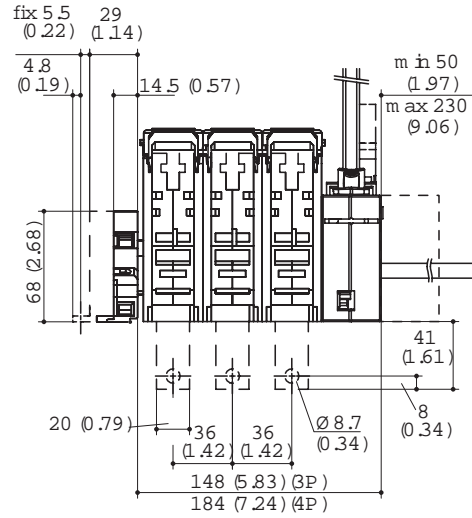


Cat. No.	Approximate Dimensions mm (in)											
	Switch Body		Switch Mounting		Connection							
194R-N...	F (3-pole)	F (4-pole)	M (3-pole)	M (4-pole)	T	U	V	Y	X1	X2	Z	AA
800	280 (11.02)	360 (14.17)	255 (10.04)	335 (13.19)	80 (3.15)	50 (1.97)	60.5 (2.38)	7 (0.27)	47.5 (1.87)	47.5 (1.87)	46.5 (1.83)	321 (12.64)
1250	372 (14.65)	492 (19.37)	347 (13.66)	467 (18.39)	120 (4.72)	90 (3.54)	44 (1.73)	8 (0.31)	53.5 (2.11)	53.5 (2.11)	47.5 (1.87)	288 (11.34)

Dimensions in millimeters (inches). Dimensions are not intended to be used for manufacturing purposes.



IEC Fused Disconnect Switches

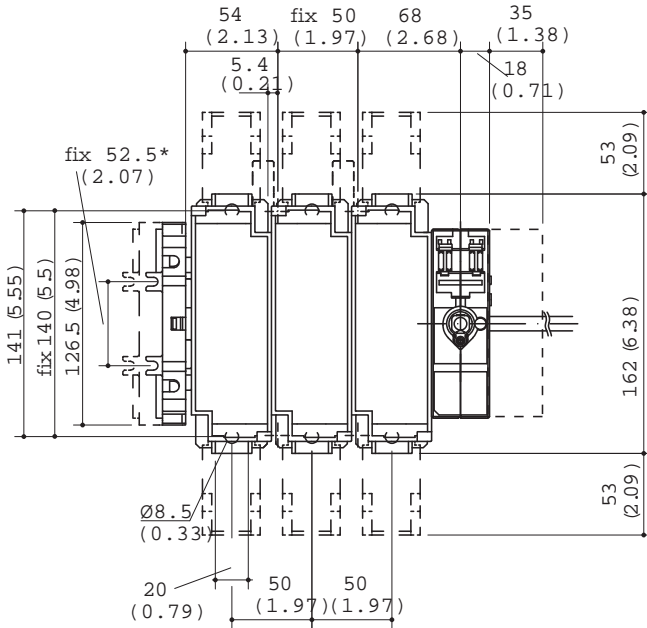
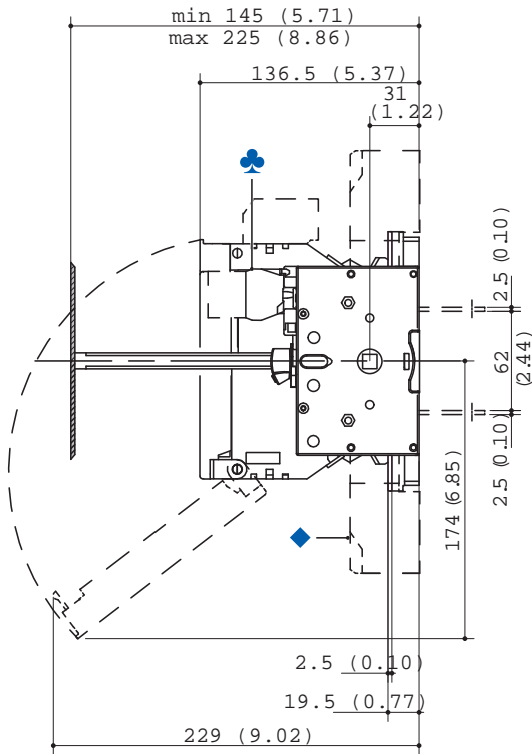
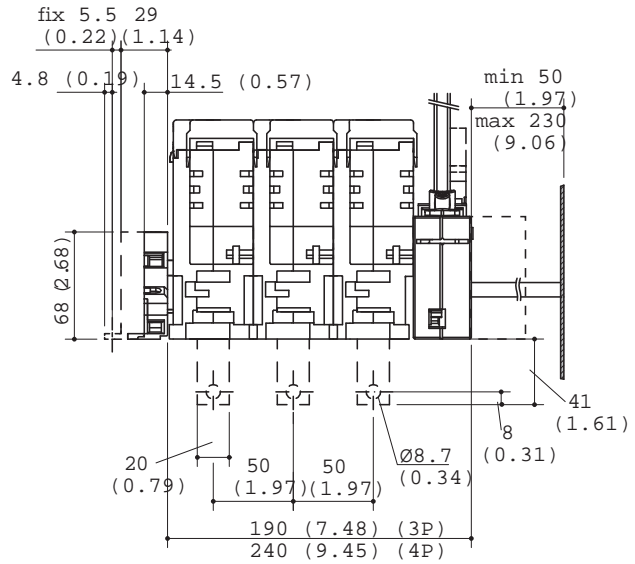
-  1...4 pre-break auxiliary contacts for signalling
-  Terminal shrouds
-  179 (7.05) for BS88 / NFC and DIN 100...125 A
189 (7.44) for NFC and DIN 125...160 A



Cat. No. 194R-B100-1753, 194R-D125-1753
Frame Size F13



Dimensions in millimeters (inches). Dimensions are not intended to be used for manufacturing purposes.

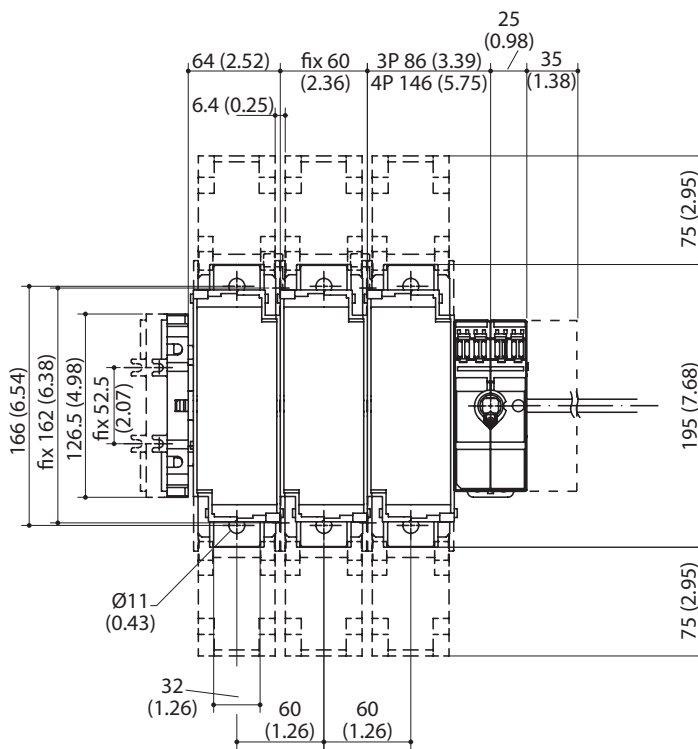
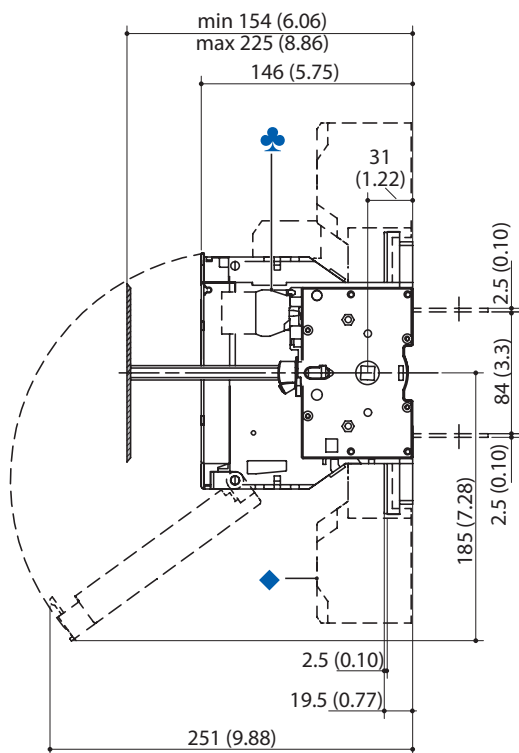
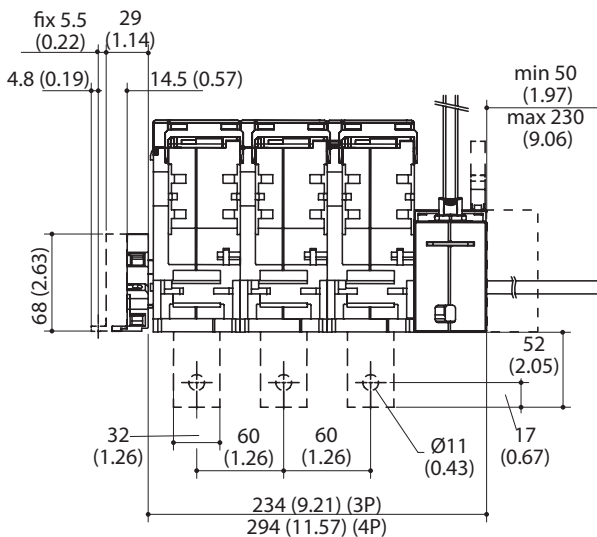
-  1...4 pre-break auxiliary contact for signalling
-  Terminal shrouds



Cat. No. 194R-B160-1753, 194R-D160-1753
Frame Size F14



Dimensions in millimeters (inches). Dimensions are not intended to be used for manufacturing purposes.

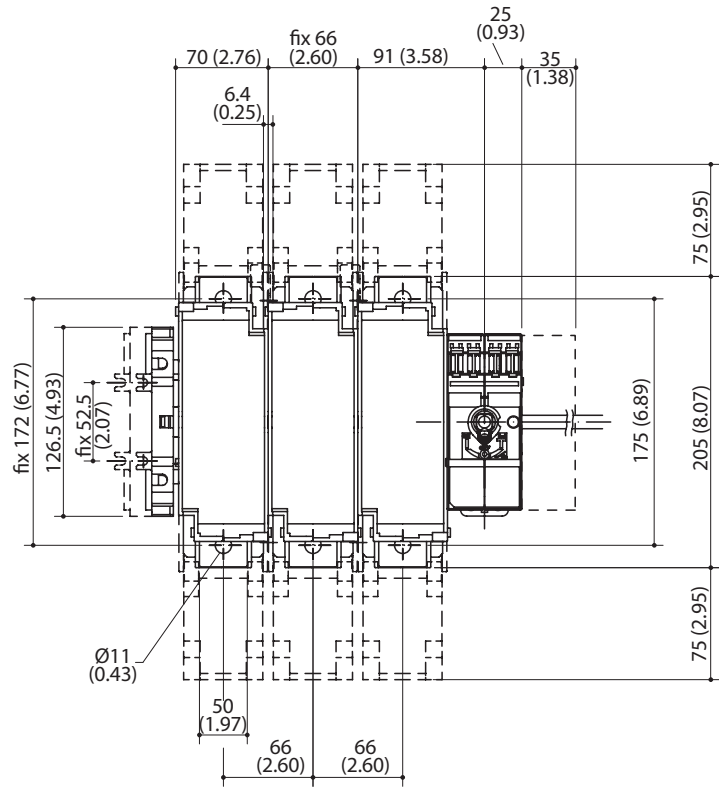
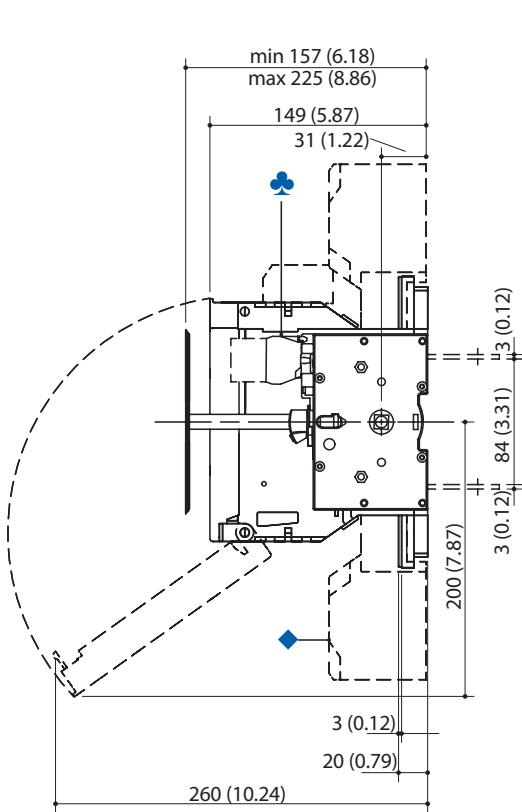
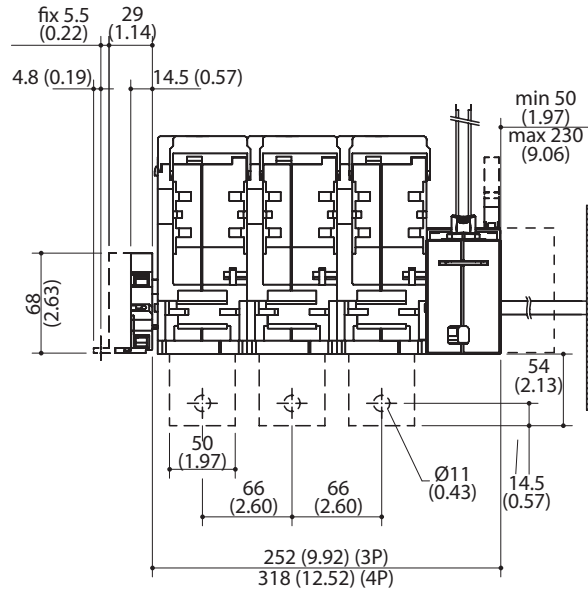
-  1...8 pre-break auxiliary contact for signalling
-  Terminal shrouds



Cat. No. 194R-B200-1753, 194R-D250-1753
Frame Size F15

Dimensions in millimeters (inches). Dimensions are not intended to be used for manufacturing purposes.

-  1...8 pre-break auxiliary contact for signalling
-  Terminal shrouds



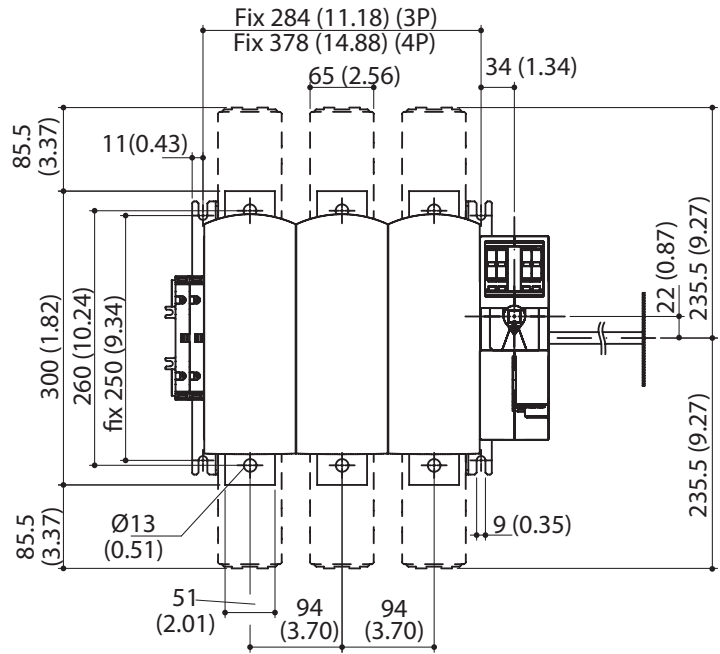
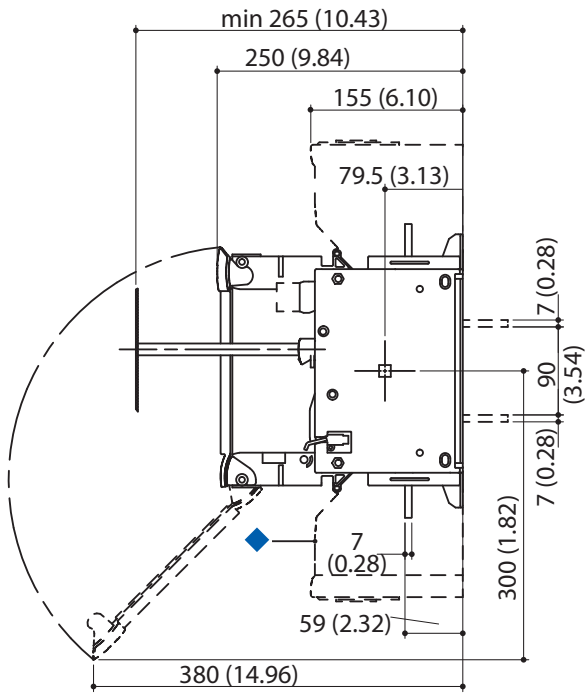
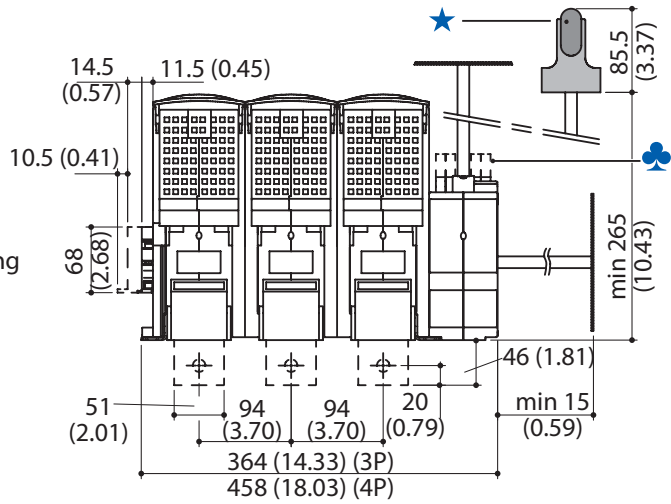
Cat. No. 194R-B400-1753, 194R-D400-1753
Frame Size F16

Approximate Dimensions

194R Rotary Disconnect Switches

Dimensions in millimeters (inches). Dimensions are not intended to be used for manufacturing purposes.

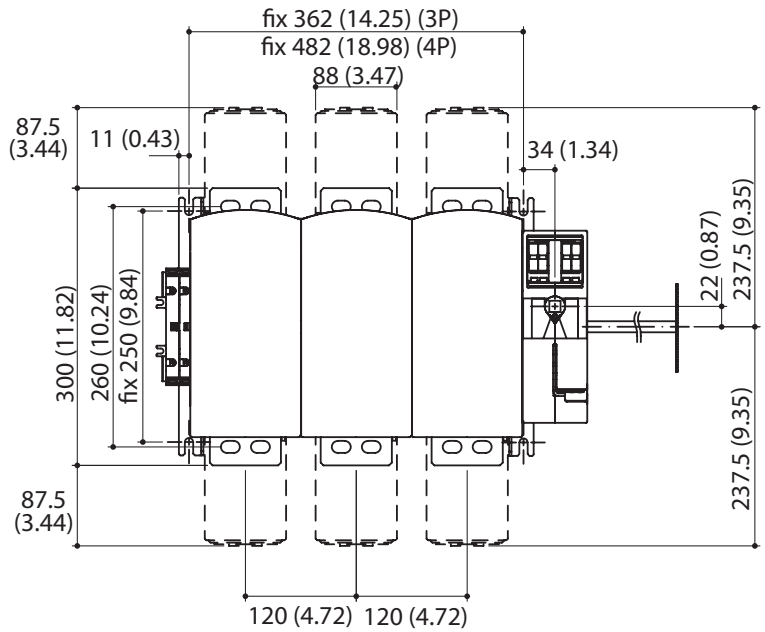
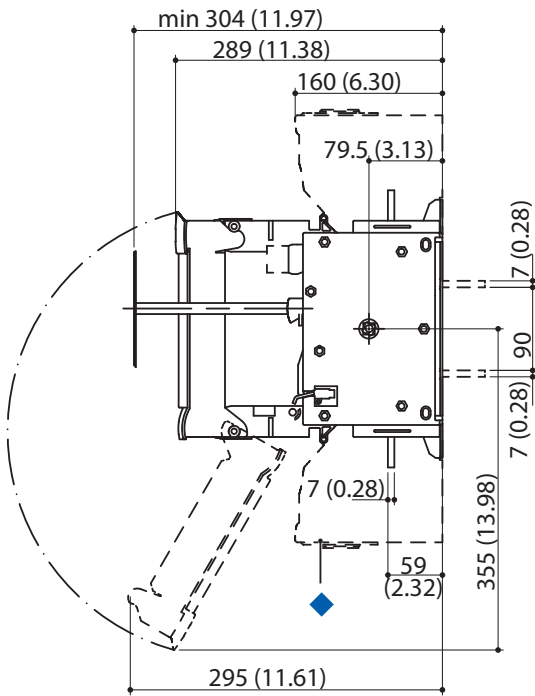
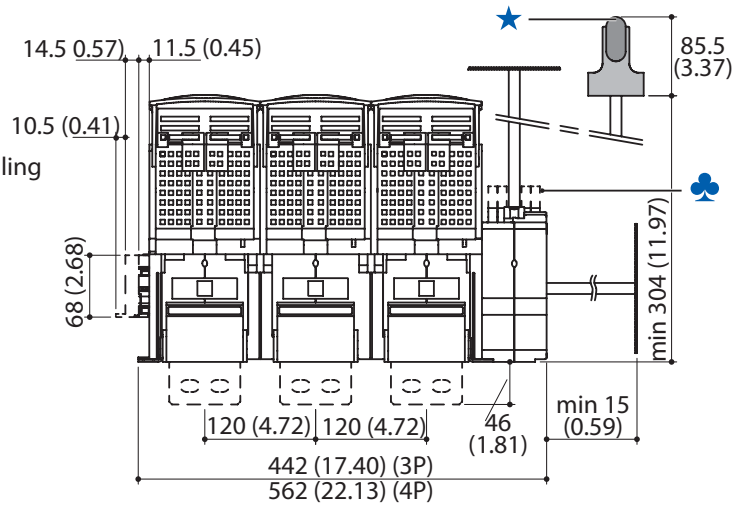
- ★ Direct operation
- ♣ 1...8 pre-break auxiliary contact for signalling
- ◆ Terminal shrouds



Cat. No. 194R-B630-1753, 194R-D630-1753, 194R-B800-1753, 194R-D800-1753
Frame Size F17

Dimensions in millimeters (inches). Dimensions are not intended to be used for manufacturing purposes.

- ★ Direct operation
- ♣ 1...8 pre-break auxiliary contact for signalling
- ◆ Terminal shrouds



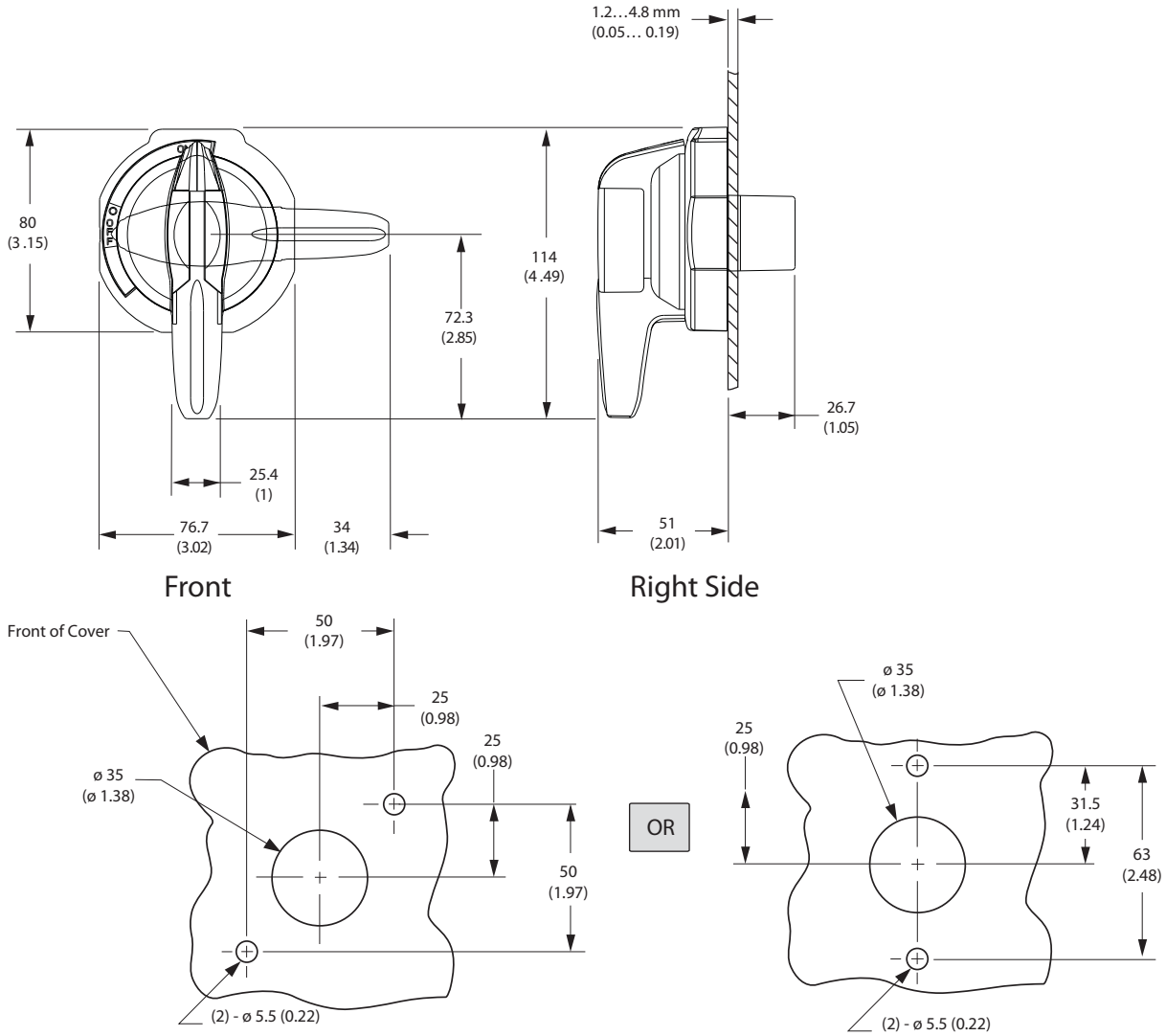
Cat. No. 194R-B1250-1753, 194R-D1250-1753
Frame Size F18

Approximate Dimensions

194R Rotary Disconnect Switches

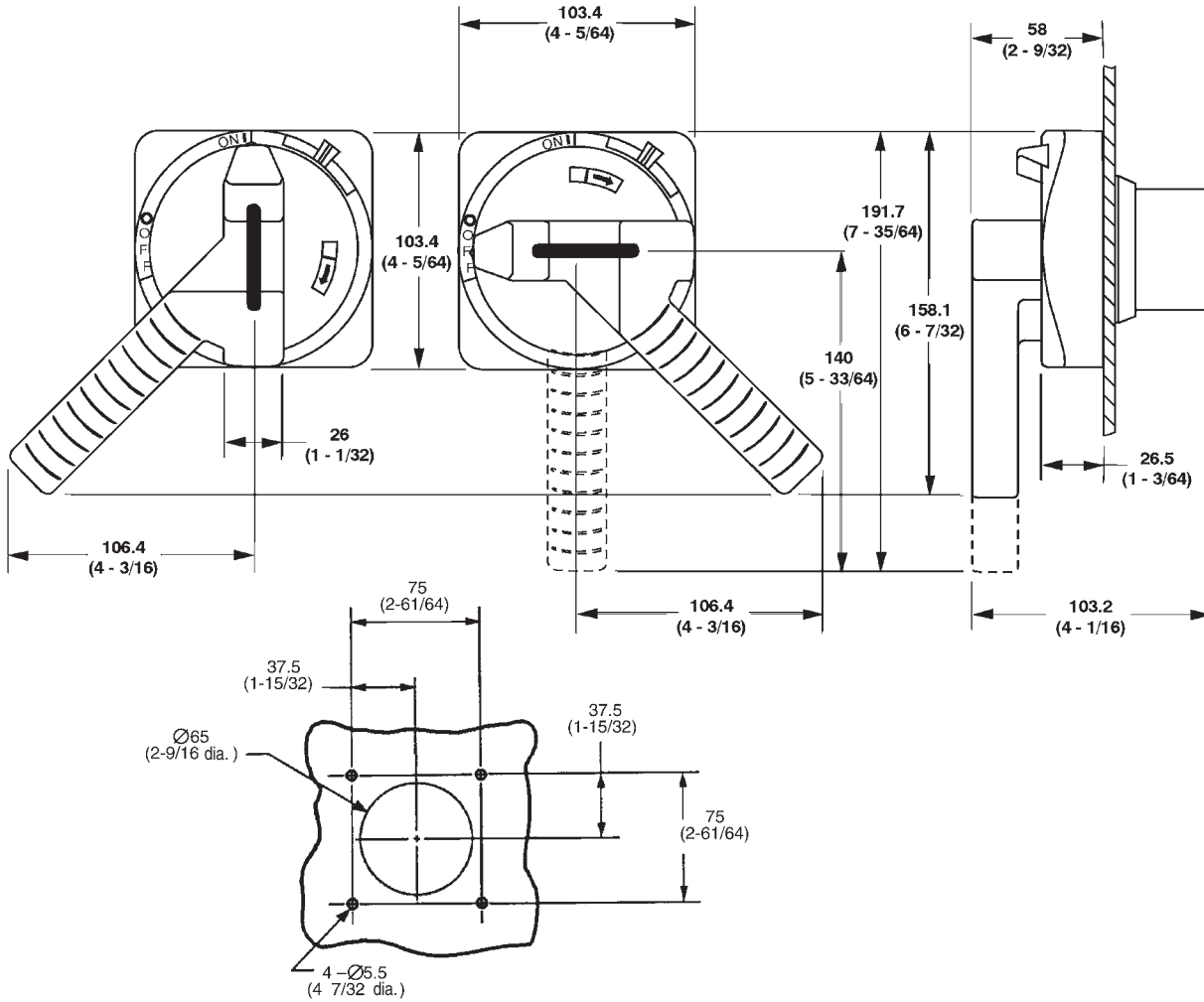
Dimensions in millimeters (inches). Dimensions are not intended to be used for manufacturing purposes.

Operating Handles — Cat. Nos. 194R-P.../140U-P...

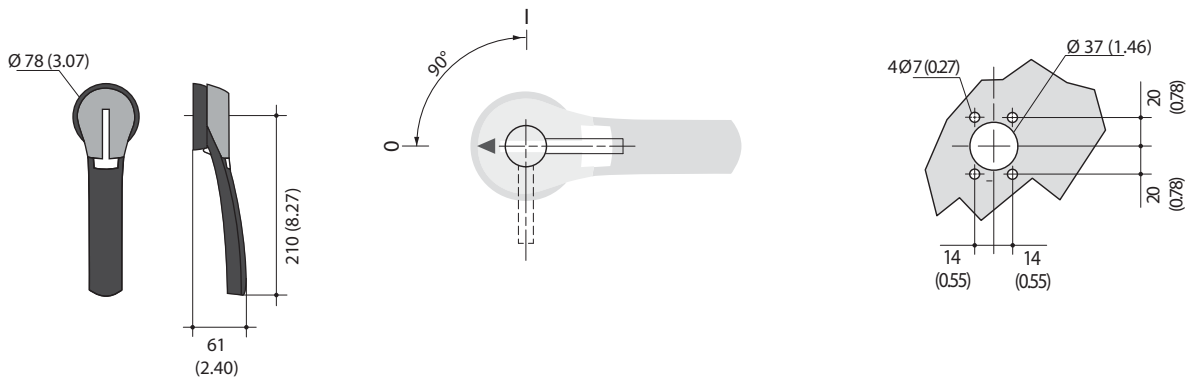


Dimensions in millimeters (inches). Dimensions are not intended to be used for manufacturing purposes.

Operating Handles — Cat. No. 194R-HM4, -HM4E

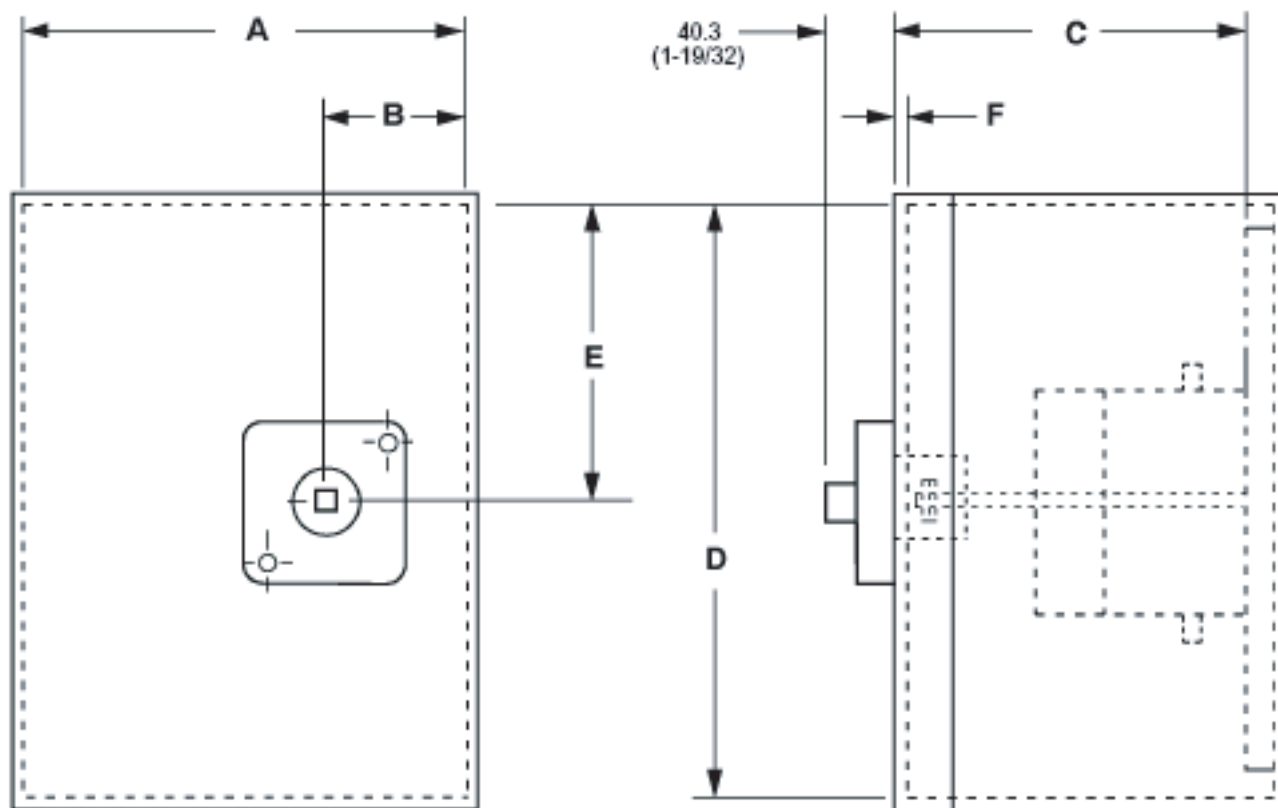


Operating Handles — Cat. No. 194R-HM4-L, -HM4E-L, -HM4-N2-L, -HM4E-N2-L



Disconnect Switch Dim. Ref.: A1, A2, B1, B2 (30 A and 60 A) Enclosure and Operating Handle

Dimensions in millimeters (inches). Dimensions are not intended to be used for manufacturing purposes.

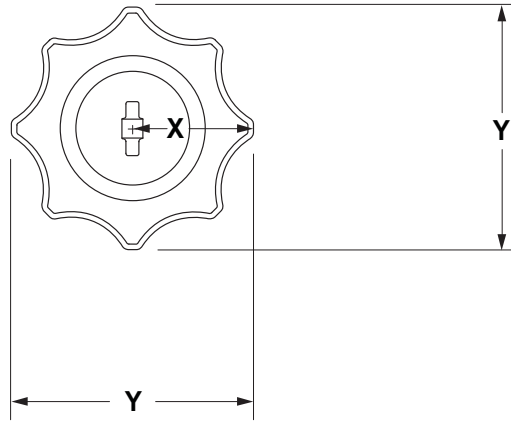
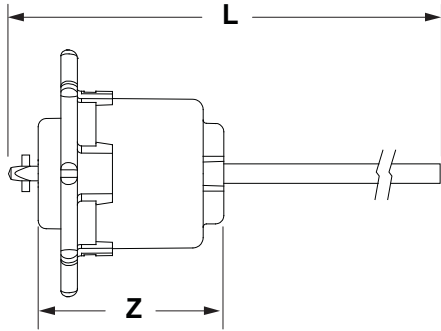


Enclosure Installation Dimensions

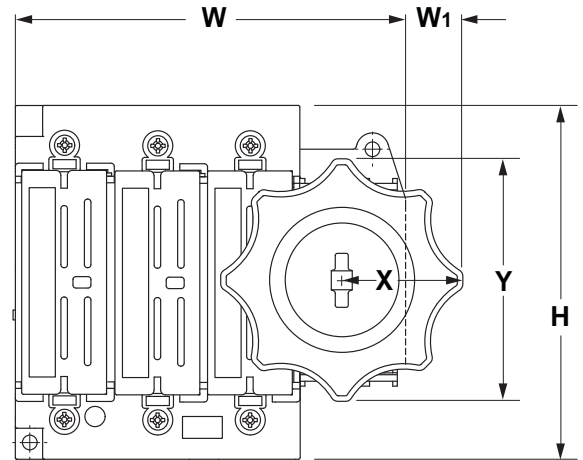
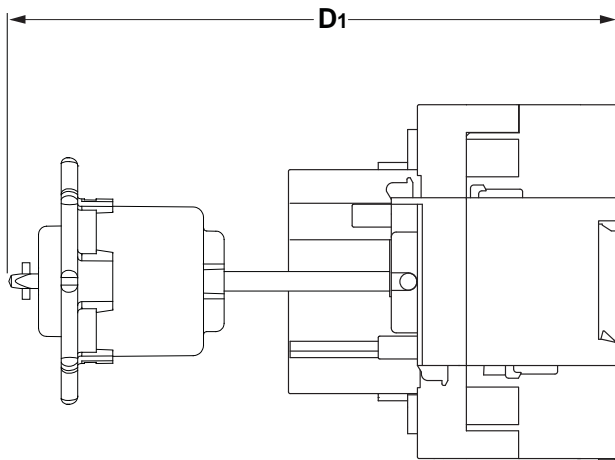
Cat. No.	Dimension Reference	A	B	C		D	E	F	
		Minimum	Minimum	Minimum	Maximum	Minimum	Minimum	Minimum	Maximum
194R-B20-1753	A1	171 (6-3/4)	45 (1-49/64)	147.6 (5-13/16)	454 (17-7/8)	248 (9-3/4)	89 (3-1/2)	1.4 (1/16)	4/78 (3/16)
194R-B32-1753									
194R-C30-1753									
194R-F32-1753									
194R-J30-1753	A2	171 (6-3/4)	45 (1-49/64)	111 (4-3/8)	454 (17-7/8)	248 (9-3/4)	89 (3-1/2)	1.4 (1/16)	4/78 (3/16)
194R-N30-1753									
194R-B63-1753	B1	197 (7-3/4)	45 (1-49/64)	147.6 (5-13/16)	454 (17-7/8)	248 (9-3/4)	105 (4-9/64)	1.4 (1/16)	4/78 (3/16)
194R-D32-1753									
194R-D63-1753									
194R-F63-1753									
194R-H30-1753									
194R-H60-1753									
194R-J60-1753									
194R-N60-1753	B2	197 (7-3/4)	45 (1-49/64)	111 (4-3/8)	454 (17-7/8)	248 (9-3/4)	105 (4-9/64)	1.4 (1/16)	4/78 (3/16)

NFPA 79 Internal Handle with Shaft Dimensions

Dimensions in millimeters (inches). Dimensions are not intended to be used for manufacturing purposes.



Catalog No.		L (max)	X	Y	Z
194R -NHR1	mm (in.)	305 (12)	38 (1-1/2)	76 (3)	57 (2-1/4)
194R -NHR2	mm (in.)	533 (21)	38 (1-1/2)	76 (3)	57 (2-1/4)



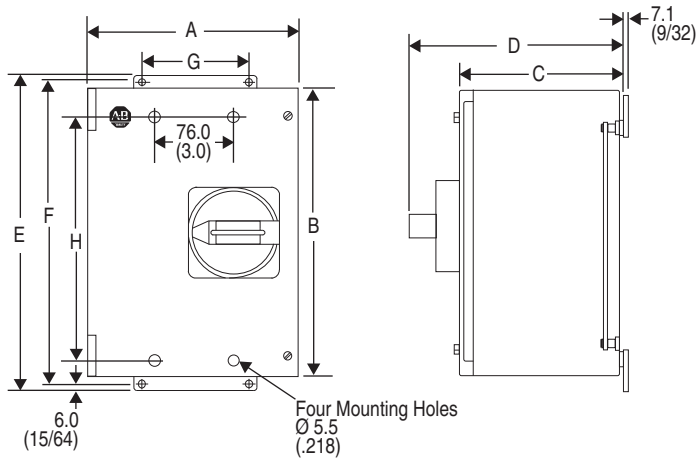
Catalog No.	Dim. Ref.		H	W	W ₁	D ₁ (min)	X	Y
194R-B20-* 194R-F25-* 194R-B32-* 194R-F32-* 194R-C30-* 194R-J30-*	A1	mm (in.)	108 (4-1/4)	120 (4-3/4)	19 (3/4)	184 (7-1/4)	38 (1-1/2)	76 (3)
194R-N30-*	A2	mm (in.)	108 (4-1/4)	120 (4-3/4)	19 (3/4)	160 (6-5/16)	38 (1-1/2)	76 (3)
194R-B63-* 194R-H30-* 194R-D32-* 194R-H60-* 194R-D63-* 194R-J60-* 194R-F63-*	B1	mm (in.)	113 (4-29/64)	142 (5-19/32)	19 (3/4)	196 (7-49/64)	38 (1-1/2)	76 (3)
194R-N60-*	B2	mm (in.)	113 (4-29/64)	142 (5-19/32)	19 (3/4)	176 (6-59/64)	38 (1-1/2)	76 (3)

Approximate Dimensions

194R Rotary Disconnect Switches

Dimensions in millimeters (inches). Dimensions are not intended to be used for manufacturing purposes.

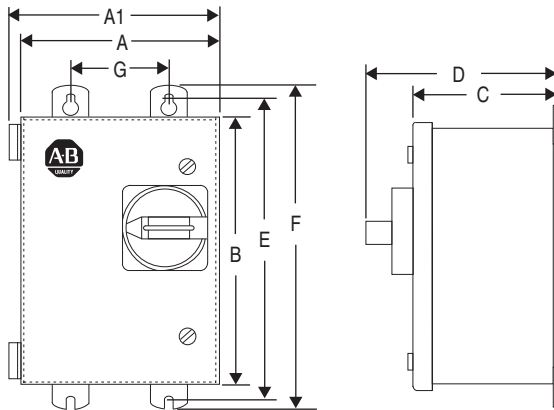
IP66 (Type 3/4/12) Watertight, Dusttight Sheet Metal Enclosure



External Mounting Feet Optional Cat. No. 198-F1

[A]	Type	Dim. Ref.	A	B	C	D	E	F	G	H
30	Non-Fused & Fused	A1 & A2	200 (7-7/8)	300 (11-13/16)	160 (6-19/64)	200 (7-7/8)	325 (12-51/64)	313 (12-21/64)	105 (4-1/8)	236 (9-9/32)
60	Non-Fused & Fused	B1 & B2	200 (7-7/8)	300 (11-13/16)	160 (6-19/64)	200 (7-7/8)	325 (12-51/64)	313 (12-21/64)	105 (4-1/8)	236 (9-9/32)

Type 4/4X Watertight, Corrosion-Resistant Stainless Steel Enclosure

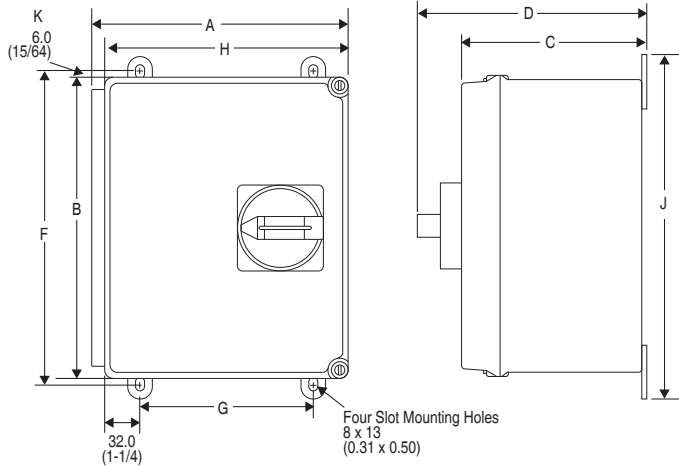


External Mounting Feet Optional Cat. No. 198-F3

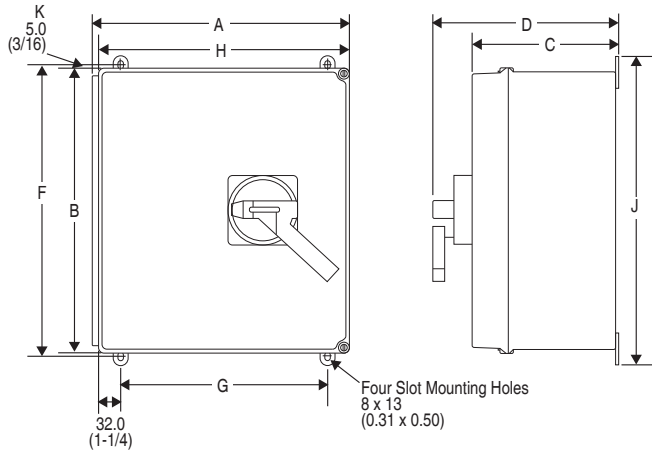
[A]	Type	Dim. Ref.	A	A1	B	C	D	E	F	G	H
30	Non-Fused	A2	159 (6-1/4)	170 (6-11/16)	240 (9-7/16)	123 (4-27/32)	163 (6-7/16)	254 (10)	273 (10-3/4)	83 (3-1/4)	—
	Fused	A1	214 (8-7/16)	225 (8-7/8)	265 (10-7/16)	160 (6-5/16)	200 (7-7/8)	279 (11)	298 (11-23/32)	83 (3-1/4)	—
60	Non-Fused & Fused	B1 & B2	214 (8-7/16)	225 (8-7/8)	265 (10-7/16)	160 (6-5/16)	200 (7-7/8)	279 (11)	298 (11-23/32)	83 (3-1/4)	—

Dimensions in millimeters (inches). Dimensions are not intended to be used for manufacturing purposes.

IP66 (Type 3/4/4X/12) Corrosion-Resistant, Non-Metallic Enclosure



Cat. No. 194R-K_30P3, -K60P3 30 and 60 A switch



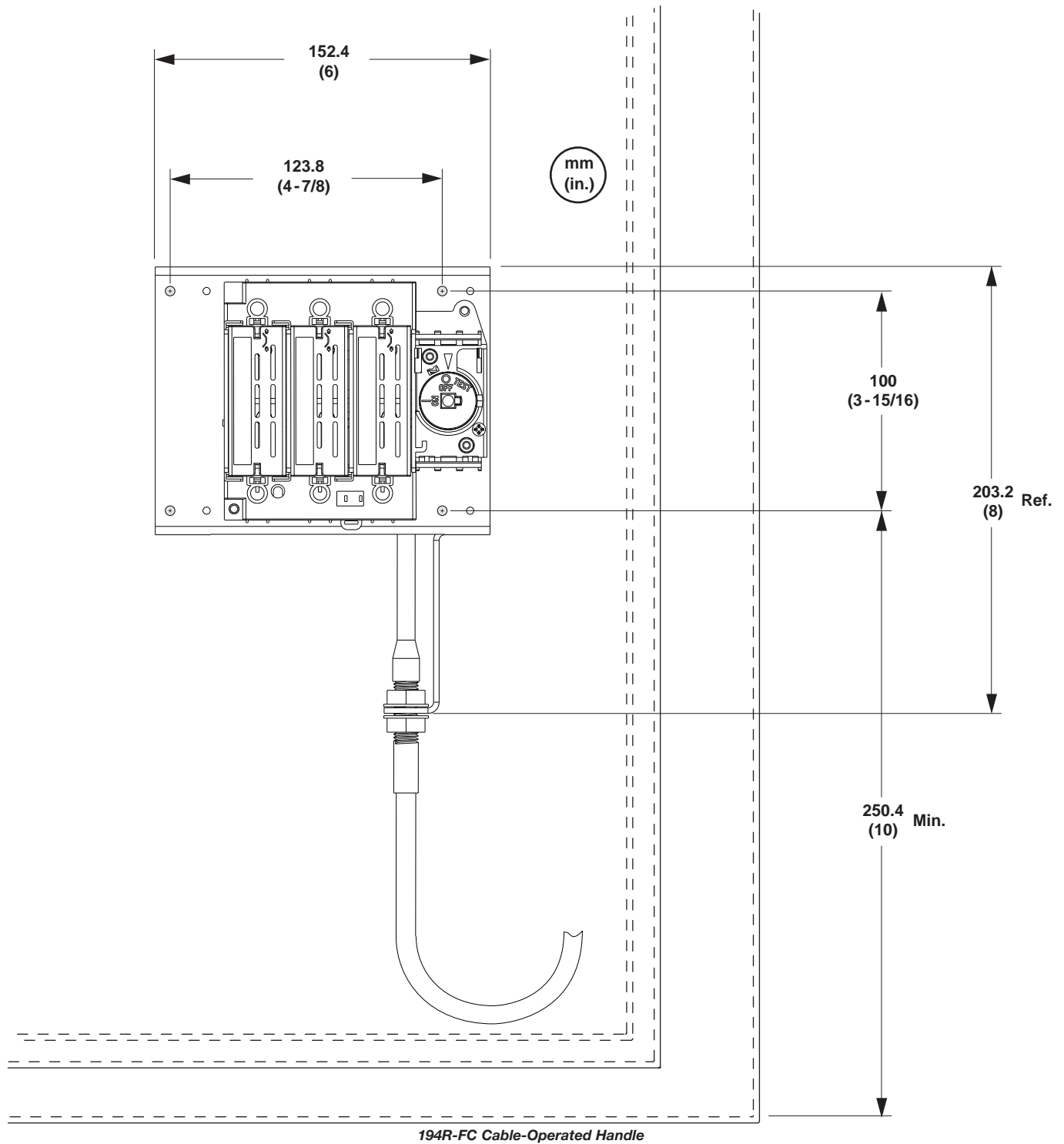
Cat. No. 194R-K_100P3 100 A switch

Switch Size [A]	A	B	C	D	F	G	J	K
30/60	226 (8-59/64)	267 (10-1/2)	163 (6-27/64)	202 (7-61/64)	278 (10-61/64)	152 (6)	305 (12)	6 (15/64)

Approximate Dimensions

194R Rotary Disconnect Switches

Dimensions are in millimeters (inches). Dimensions are not intended to be used for manufacturing purposes.



Important User Information

Read this document and the documents listed in the additional resources section about installation, configuration, and operation of this equipment before you install, configure, operate, or maintain this product. Users are required to familiarize themselves with installation and wiring instructions in addition to requirements of all applicable codes, laws, and standards.

Activities including installation, adjustments, putting into service, use, assembly, disassembly, and maintenance are required to be carried out by suitably trained personnel in accordance with applicable code of practice.

If this equipment is used in a manner not specified by the manufacturer, the protection provided by the equipment may be impaired.

In no event will Rockwell Automation, Inc. be responsible or liable for indirect or consequential damages resulting from the use or application of this equipment.

The examples and diagrams in this manual are included solely for illustrative purposes. Because of the many variables and requirements associated with any particular installation, Rockwell Automation, Inc. cannot assume responsibility or liability for actual use based on the examples and diagrams.

No patent liability is assumed by Rockwell Automation, Inc. with respect to use of information, circuits, equipment, or software described in this manual.

Reproduction of the contents of this manual, in whole or in part, without written permission of Rockwell Automation, Inc., is prohibited.

Documentation Feedback

Your comments will help us serve your documentation needs better. If you have any suggestions on how to improve this document, complete this form, publication [RA-DU002](#), available at <http://www.rockwellautomation.com/literature/>.

Allen-Bradley, Rockwell Software, Rockwell Automation, and LISTEN. THINK. SOLVE are trademarks of Rockwell Automation, Inc.
Trademarks not belonging to Rockwell Automation are property of their respective companies.

Rockwell Otomasyon Ticaret A.Ş., Kar Plaza İş Merkezi E Blok Kat:6 34752 İçerenköy, İstanbul, Tel: +90 (216) 5698400

www.rockwellautomation.com

Power, Control and Information Solutions Headquarters

Americas: Rockwell Automation, 1201 South Second Street, Milwaukee, WI 53204-2496 USA, Tel: (1) 414.382.2000, Fax: (1) 414.382.4444
Europe/Middle East/Africa: Rockwell Automation NV, Pegasus Park, De Kleetlaan 12a, 1831 Diegem, Belgium, Tel: (32) 2 663 0600, Fax: (32) 2 663 0640
Asia Pacific: Rockwell Automation, Level 14, Core F, Cyberport 3, 100 Cyberport Road, Hong Kong, Tel: (852) 2887 4788, Fax: (852) 2508 1846