

**ELECTRICAL UTILITIES**

**LEADING  
THE WAY  
IN FALL PROTECTION  
FOR ELECTRICAL UTILITIES**

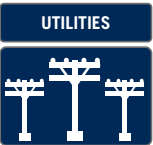




## OSHA'S NEW REGULATIONS MEAN MORE WORKERS AT HEIGHT WILL BE SAFE

Capital Safety has been manufacturing the highest quality fall protection equipment for more than 70 years. With more patents, more engineers and more industry innovations than any other fall-protection manufacturer, it's no wonder that Capital Safety's equipment is the most recognized and trusted around the globe. Capital Safety is the world's leader in fall protection because we are dedicated entirely to fall protection.

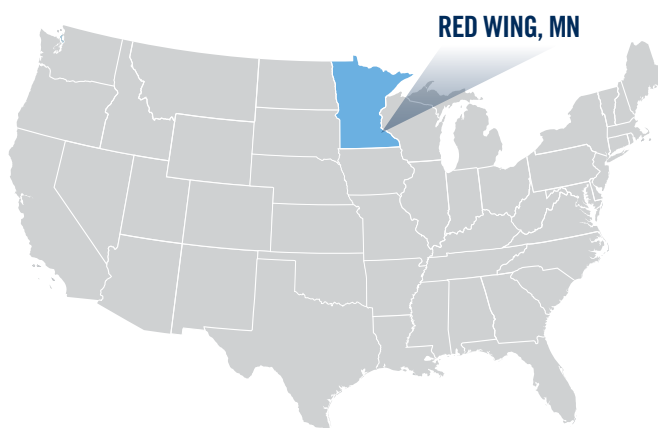
In spring 2014, OSHA published new, updated rules and regulations (OSHA 1910.269) for electrical power generation, transmission and distribution. These new rules—which OSHA estimates will prevent an additional 118 workplace injuries and 20 fatalities or more annually—cover both construction and general industry situations. The compliance deadline for most of the rules and regulations specific to fall protection is April 1, 2015.



# WHEN YOUR LIFE IS ON THE LINE, YOU DESERVE THE BEST

- Capital Safety's flagship **DBI-SALA®** has been **the premier brand in fall protection and rescue products** for more than 40 years
- Legendary for its comfort, ease of use, durability and reliability, **our line of products is 20,000 strong—and growing**
- Our **products are rigorously tested** to meet or exceed applicable standards around the globe
- Our **ISO 9001-2008 certification** drives superior engineering, quality manufacturing and unparalleled customer service
- **Accredited lab testing** means our products will perform like no other
- We offer a full range of fall protection and industrial rescue **training courses**
- Every DBI-SALA product carries a **100% satisfaction guarantee** and a **lifetime warranty for manufacturer's defects**
- Products meet the latest **OSHA 1910.269** standard for added peace of mind

Capital Safety's combination of excellent design, rugged quality and expert knowledge will protect you—and your employees—the way you deserve



Scan here for product information



[www.facebook.com/capitalsafety](https://www.facebook.com/capitalsafety)



[@Capital\\_Safety](https://twitter.com/Capital_Safety)

# CYNCH-LOK™

Cynch-Lok is the benchmark for all wood pole fall-restricting devices and remains the **number one choice** for working linemen. The innovative and versatile design allows linemen to **move faster, easier and safer** than ever before.

Cynch-Lok features and benefits:

- Pinch-free ergonomic design for ease of use
- Effortless one-handed adjustment
- One-piece construction—no nuts or bolts that can get loose
- Enjoy speed, flexibility and reliability
- Field versatility with rope and web options
- Meets CSA Z259.14 type A and AB, ASTM F887 type A and AB
- Left hand opening replacement carabiner to reconfigure the cynch-lok for left hand users



**1204057**  
CYNCH-LOK ROPE FOR DISTRIBUTION POLES  
POLE SIZE (DIA/CIRC):  
MIN. 5.5"/17.5" (.1 M/5 M)  
MAX. 18.5"/58" (.5 M/1.5 M)



**1204075**  
CYNCH-LOK WEB FOR DISTRIBUTION POLES  
POLE SIZE (DIA/CIRC):  
MIN. 5.5"/17.5" (.1 M/5 M)  
MAX. 18.5"/58" (.5 M/1.5 M)

**1204058**  
CYNCH-LOK ROPE FOR TRANSMISSION POLES  
POLE SIZE (DIA/CIRC):  
MIN. 5.5"/17.5" (.1 M/5 M)  
MAX. 30.5"/96" (.8 M/2.4 M)

**1204076**  
CYNCH-LOK WEB FOR TRANSMISSION POLES  
POLE SIZE (DIA/CIRC):  
MIN. 5.5"/17.5" (.1 M/5 M)  
MAX. 30.5"/96" (.8 M/2.4 M)



**1200115**  
CYNCH-LOK REPLACEMENT  
INTERIOR ROPE LANYARD  
KERNMANTLE ROPE, ABRASION RESISTANT  
SLEEVE, FIELD REPLACEABLE



**1200136**  
CYNCH-LOK REPLACEMENT  
INTERIOR WEB LANYARD  
DURABLE POLYESTER WEB, SAFLOK™  
CARBINERS, FIELD REPLACEABLE



**1200110**  
CYNCH-LOK REPLACEMENT STRAP  
FOR DISTRIBUTION POLES  
POLE SIZE (DIA/CIRC):  
MIN. 5.5"/17.5" (.1 M/5 M)  
MAX. 18.5"/58" (.5 M/1.5 M)  
DURABLE STRAP WITH WEAR INDICATOR,  
FIELD REPLACEABLE



**1200111**  
CYNCH-LOK REPLACEMENT STRAP  
FOR TRANSMISSION POLES  
POLE SIZE (DIA/CIRC):  
MIN. 5.5"/17.5" (.1 M/5 M)  
MAX. 30.5"/96" (.8 M/2.4 M)  
DURABLE STRAP WITH WEAR INDICATOR



Scan here to view  
a demonstration  
of Cynch-Lok!



1204074

1204077

**1204074**  
CYNCH-LOK REPLACEMENT LEFT-HANDED  
SPIKED CARABINER FOR ROPE  
.....  
11/16" GATE (17.5 MM), CAPTIVE EYE

**1204077**  
CYNCH-LOK REPLACEMENT LEFT-HANDED  
SPIKED CARABINER FOR WEB  
.....  
11/16" GATE (17.5 MM)



**1234070**  
ADJUSTABLE ROPE  
POSITIONING LANYARD  
.....  
WITH ROPE ADJUSTER X 8' (2.4 M) AND  
STEEL CARABINER AND SNAP HOOK



**1234083**  
POLE CLIMBER'S ADJUSTABLE ROPE  
POSITIONING LANYARD FOR ELECTRICAL/  
HOT WORK USE  
.....  
8' ADJUSTABLE ROPE POSITIONING LANYARD  
WITH TECHNORA KERNMANTLE ROPE,  
ALUMINUM CARABINER AT ONE END, ROPE  
ADJUSTER AND ALUMINUM CARABINER AT  
OTHER END.



**9509844**  
HANDLINE KEEPER  
FOR LINEMAN BELT  
.....  
HANDLINE KEEPER, POLYPROPYLENE, WITH  
SLOT TO ATTACH TO LINEMAN BELT



**1234071**  
ADJUSTABLE ROPE  
POSITIONING LANYARD  
.....  
WITH 8' ROPE ADJUSTER AND ALUMINUM  
CARABINER AND SNAP HOOK



**1234080**  
ADJUSTABLE ROPE  
POSITIONING LANYARD  
.....  
WITH BLUE ALUMINUM CARABINERS, ONE  
WITH CAPTIVE EYE 8' (2.4 M) LENGTH

**1234082** 6' (1.8 M) LENGTH



**1201377**  
ADJUSTABLE WEB POSITIONING LANYARD  
WITH SPEED ADJUSTER  
.....  
8' (2.4 M) WITH SNAP HOOK AT ONE  
END, WEB SPEED ADJUSTER AND STEEL  
CARABINER AT OTHER END



**1234030**  
ADJUSTABLE WEB  
POSITIONING LANYARD  
.....  
WITH 6' ROPE ADJUSTER

## EASY TO SET UP AND OPERATE

The Saflok Pole Anchor System provides utility pole climbers with 100% fall protection. This unique system allows workers to free climb poles and work around obstructions such as multiple conductors, equipment, vines and other natural obstructions. It allows workers to quickly and safely climb the pole prior to connecting their work positioning system. This system can also make rescuing a fallen worker fast and easy. The installation tool included in the Saflok Pole Anchor System connects to most hot stick poles already available on utility trucks.

## SAFLOK

Extensive field testing by linemen, facility and construction workers has **successfully proven** both the ease of use and fall protection capabilities of the Saflok Pole Anchor System.

Saflok features and benefits:

- Free climb poles while maintaining 100% fall protection
- Installs anchor and lifeline to top of pole from the ground
- Allows user to easily work around obstructions
- Compatible with most hot stick poles (not provided)
- Anchor tube with installation/removal tool
- Dialetric 80 ft. (24.4 m) 5/8" (16 mm) lifeline
- Mobile rope grab with EZ-Stop™ shock absorbing lanyard
- Chain tensioner keeps lifeline taut and facilitates rescue
- Weatherproof carrying bag
- Meets applicable OSHA, ANSI and CSA standards



2104801  
SAFLOK POLE CLIMBING FALL ARREST SYSTEM  
SAFLOK WOOD POLE REMOTE ANCHOR SYSTEM WITH  
80 FT. (24.4 M) DIALETRIC ROPE LIFELINE, ANCHOR TUBE,  
INSTALLATION/REMOVAL TOOL, ROPE GRAB WITH SHOCK  
ABSORBING LANYARD AND CARRYING BAG





## SEAT-BELT

# GET COMFORTABLE WITH A QUALITY PRODUCT YOU CAN TRUST

When working at height, safety is the number one priority – often at the expense of comfort. Our newly designed DBI-SALA® SEAT-BELT is made with 100% top grain leather from Red Wing, MN. The SEAT-BELT provides linemen with the ultimate in comfort, durability and function.

### SEAT-BELT - 4D BELT DESIGNED BY LINEMEN FOR LINEMEN

This innovative, ergonomically designed belt, provides the maximum in comfort, freedom of movement and ease-of-use.

SEAT-BELT features and benefits:

- Patent pending design redirects forces to the top of the belt for improved safety
- Small D-rings designed for Cynch-Lok™ fall restrict device
- Patent pending design distributes weight throughout the contoured, reinforced seat for improved work comfort
- Meets ASTM & OSHA regulations

SIZE	PART #
D20	1001394
D21	1001395
D22	1001396
D23	1001397
D24	1001398
D25	1001399
D26	1001400
D27	1001401
D28	1001402
D29	1001403



SIZING CHART								FIGURE 5 - BELT SIZING	
"D" Size (See Figure 5)		Belt Sizing (See Figure 5)							
		Minimum		Center Hole		Maximum			
in.	cm	in.	cm	in.	cm	in.	cm		
D18	46	32	81	36	91	40	102		
D19	48	33	84	37	94	41	104		
D20	51	34	86	38	97	42	107		
D21	53	36	91	40	102	44	112		
D22	56	37	94	41	104	45	114		
D23	58	38	97	42	107	46	117		
D24	61	40	102	44	112	48	122		
D25	64	41	104	45	114	49	124		
D26	66	42	107	46	117	50	127		
D27	69	44	112	48	122	52	132		
D28	71	45	114	49	124	53	135		
D29	74	46	117	50	127	54	137		
D30	76	47	119	51	130	55	140		

Where to measure to determine correct "D" size for a Lineman's Belt:  
**X** = Distance from waist or top of hip bone to where Lineman's Belt is worn.  
**Y** = Measurement is from front of hip bone around the back to the front of the other hip bone. This measurement is the "D" size.

# EXOFIT NEX™

## EXOFIT NEX LINEMAN SUSPENSION HARNESS WITH SEAT-BELT

ExoFit NEX harnesses are the most advanced harnesses in the industry. They're the culmination of our experience with ExoFit and ExoFit XP, ongoing research and the incorporation of new materials and innovative features. True to our NEX mission, we manufacture these harnesses using materials that won't add unnecessary weight for ultimate comfort. When speed and efficiency are project requirements, ExoFit NEX will provide the freedom and confidence to function at your maximum potential. Finally, ExoFit NEX harnesses are designed using materials that last. Get into the best, the ultimate comfort, function and durability harness, ExoFit NEX.

ExoFit NEX features and benefits:

- Hybrid shoulder and leg comfort padding
- Stand-up Tech-Lite™ aluminum back D-ring
- Tech-Lite aluminum front and suspension D-rings
- Duo-Lok™ quick connect leg and torso straps
- Nylon webbing
- Built-in lanyard keepers
- Impact Indicator
- Protected labels, equipped with i-Safe™
- Tongue buckle style lineman body belt with built-in seat
- 2 large S-shaped full-floating D-rings at hips and 2 small D-rings for fall restrict device
- Belt made with 100% top grain leather from Red Wing, MN
- Meets applicable OSHA and ANSI standards, CSA models available



\*Belt sizing chart can be found on p.7

EXOFIT NEX LINEMAN SUSPENSION HARNESS WITH 4D SEAT-BELT						
HARNESS SIZE	SM	D20 1113645	D21 1113647	D22 1113648	D23 1113649	
	MED	D22 1113652	D23 1113653	D24 1113654	D25 1113655	D26 1113656
	LG	D24 1113659	D25 1113660	D26 1113661	D27 1113662	D28 1113663
	XL	D25 1113664	D26 1113665	D27 1113666	D28 1113667	D29 1113668







**1113318 SIZE XL**  
**EXOFIT NEX ARC FLASH HARNESS**  
 WITH NOMEX®/KEVLAR® FIBER  
 WEB, CONSTRUCTION STYLE,  
 PVC-COATED ALUMINUM BACK  
 D-RING, LOCKING QUICK CONNECT  
 BUCKLES, SEWN-IN HIP PAD AND  
 BELT, COMFORT PADDING

1113315 SMALL  
 1113316 MEDIUM  
 1113317 LARGE



**1103088 SIZE XL**  
**EXOFIT NEX ARC FLASH HARNESS**  
 WITH NOMEX®/KEVLAR® FIBER  
 WEB, PVC-COATED ALUMINUM BACK  
 D-RING, LOCKING QUICK CONNECT  
 BUCKLES, COMFORT PADDING

1103085 SMALL  
 1103086 MEDIUM  
 1103087 LARGE



**1110882 SIZE XL**  
**EXOFIT XP ARC FLASH HARNESS**  
 CONSTRUCTION STYLE, NOMEX/KEVLAR  
 FIBER, WEB AND PADS, BACK WEB LOOP,  
 QUICK CONNECT BUCKLES AND KEVLAR  
 FIBER PASS-THRU BODY BELT

1110883 SMALL  
 1110880 MEDIUM  
 1110881 LARGE



**1113369 SIZE XL**  
**1113369 EXOFIT NEX ARC FLASH TOWER  
 CLIMBING HARNESS**  
 ARC FLASH RATED, FLAME RESISTANT  
 WEBBING, FLAME RESISTANT TRAUMA  
 STRAPS, PVC COATED TECH LITE  
 ALUMINUM D-RINGS, STAND-UP DORSAL  
 D-RING, DUO-LOK QUICK CONNECT BUCKLES

1113357 SMALL  
 1113358 MEDIUM  
 1113368 LARGE



**1050017 SIZE D24**  
**LINEMAN POLE CLIMBING KIT**  
 LINEMAN POLE CLIMBING KIT INCLUDES 1001398  
 SEAT-BELT 4D, 1204075 CYNCH-LOK™ POLE CLIMBING  
 DEVICE - WEB, 1234071 8FT. (2.4M) ADJUSTABLE ROPE  
 POSITIONING LANYARD AND 9511049 BACKPACK



**1050028 SIZE D24**  
**LINEMAN POLE CLIMBING KIT**  
 LINEMAN POLE CLIMBING KIT INCLUDES 1001398V  
 SEAT-BELT 4D, 1204075 CYNCH-LOK™ POLE CLIMBING  
 DEVICE - ROPE, 1234071 8FT. (2.4M) ADJUSTABLE ROPE  
 POSITIONING LANYARD AND 9511049 BACKPACK

**2D LINEMAN BELT**

This innovative, ergonomically designed belt provides the maximum in comfort, freedom of movement and ease-of-use.

2D Lineman belt features and benefits:

- S-shaped large full floating D-rings, for hassle-free connection
- Grommet tongue buckle belt provides easy adjustments and improved durability
- Rolled edge adds durability and comfort at the hips



**1001385**  
2D LINEMAN BELT  
AVAILABLE SIZE D18  
THROUGH D30



**2D LINEMAN BELT**

D20 1001381	D21 1001382	D22 1001383	D23 1001384	D24 1001385
D25 1001386	D26 1001387	D27 1001388	D28 1001389	D29 1001390

**EXOFIT NEX LINEMAN VEST STYLE HARNESS WITH 2D BELT**

HARNESS SIZE	SM	D19 1113510	D20 1113511	D21 1113512	D22 1113513	D23 1113514
	MED	D22 1113517	D23 1113518	D24 1113519	D25 1113520	D26 1113521
	LG	D24 1113524	D25 1113525	D26 1113526	D27 1113527	D28 1113528
	XL	D25 1113529	D26 1113530	D27 1113531	D28 1113532	

**EXOFIT NEX LINEMAN ARC FLASH HARNESS WITH 2D BELT**

HARNESS SIZE	SM	D20 1113675	D21 1113676	D22 1113677	D23 1113678	D24 1113679
	MED	D22 1113681	D23 1113682	D24 1113683	D25 1113684	D26 1113685
	LG	D23 1113686	D24 1113687	D25 1113688	D26 1113689	D27 1113690
	XL	D25 1113691	D26 1113692	D27 1113693	D28 1113694	

**EXOFIT NEX LINEMAN SUSPENSION HARNESS WITH 2D BELT**

HARNESS SIZE	SM	D19 1113558	D20 1113559	D21 1113560	D22 1113561	D23 1113562
	MED	D22 1113565	D23 1113566	D24 1113567	D25 1113568	D26 1113569
	LG	D24 1113572	D25 1113573	D26 1113574	D27 1113575	D28 1113576
	XL	D25 1113577	D26 1113578	D27 1113579	D28 1113580	D29 1113581

**EXOFIT NEX LINEMAN VEST STYLE HARNESS WITH FRONT D-RING AND 2D BELT**

HARNESS SIZE	SM	D19 1113593	D20 1113594	D21 1113595	D22 1113596	D23 1113597
	MED	D22 1113600	D23 1113601	D24 1113602	D25 1113603	D26 1113604
	LG	D24 1113607	D25 1113608	D26 1113609	D27 1113610	D28 1113611
	XL	D25 1113612	D26 1113613	D27 1113614	D28 1113615	D29 1113616

\*Belt sizing chart can be found on p.7



# EXOFIT NEX™

## EXOFIT NEX HARNESS WITH 2D BELT

The ExoFit NEX is in a class of it's own, providing freedom and the confidence you need to function at maximum potential. The ExoFit NEX Lineman Harness, with 100% top grain leather from Red Wing, MN is the ultimate in comfort, function and durability.

ExoFit NEX features and benefits:

- Duo-Lok™ quick connect buckles
- 2 front D-rings for ladder climbing, rescue or suspension work
- Light-weight leg and back padding with ultra-soft edging
- 420 lbs (190 kg) capacity
- Revolver™ vertical torso adjusters make adjustments quick and easy, while controlling the webbing
- 2D lineman belt is adjustable for a personal fit
- Meets applicable OSHA and ANSI standards, CSA models available



FRONT VIEW



BACK VIEW

**1113573**  
EXOFIT SUSPENSION  
LINEMAN HARNESS WITH  
2D BELT  
.....  
DUO-LOK QUICK  
CONNECT BUCKLES,  
TECH-LITE™ ALUMINUM  
FRONT AND BACK D-RINGS

\*Belt sizing chart can be found on p.7



**1113608**  
EXOFIT NEX VEST-STYLE  
LINEMAN HARNESS WITH  
2D BELT  
.....  
DUO-LOK QUICK  
CONNECT BUCKLES,  
TECH-LITE ALUMINUM  
FRONT AND BACK D-RING

\*Belt sizing chart can be found on p.7

# WE GO TO GREAT HEIGHTS WITH YOU

When it comes to climbing steel structures, DBI-SALA® is the best in the business. Our equipment is built for maximum reliability and ease of use. From the strongest rebar hooks to the smallest shock pack, we have the equipment you want.

## EZ-STOP™ LANYARDS

EZ-Stop shock absorbing lanyards combine a set of “industry-first” advancements, with popular features making them the workhorse of the industry. Today’s EZ-Stop represents the culmination of decades of design, research, manufacturing know-how and on-the-job performance.



**1246193**  
 EZ-STOP ELASTIC WEB LANYARD  
 100% TIE-OFF ALUMINUM SNAP HOOK AT ONE END,  
 ALUMINUM REBAR (2.5" (64 MM) GATE OPENING)  
 AT LEG ENDS X 6' (1.8 M)



**1246306**  
 EZ-STOP ARC FLASH SHOCK  
 ABSORBING LANYARD  
 6' (1.8 M) WEB SINGLE-LEG WITH NOMEX®/KEVLAR®  
 FIBER WEB AND SHOCK PACK, SNAP HOOKS AT EACH  
 END ASTM F887



**1246317**  
 EZ-STOP FORCE2 ARC FLASH ADJUSTABLE SHOCK  
 ABSORBING LANYARD  
 6' (1.8 M) ADJUSTABLE WEB SINGLE-LEG FORCE2  
 WITH NOMEX®/KEVLAR® FIBER WEB AND SHOCK  
 PACK, SNAP HOOKS AT EACH END ARC FLASH  
 ASTM F887



**1244610**  
 SHOCKWAVE2 ARC FLASH SHOCK ABSORBING  
 LANYARD  
 6' (1.8M) SINGLE-LEG WITH ELASTIC NOMEX®/  
 KEVLAR® FIBER WEBBING AND SNAP HOOKS AT  
 EACH END. ASTM F887





**1246305**  
EZ-STOP ARC FLASH WEB LANYARD  
6' (1.8M) SINGLE LEG WITH NOMEX®/KEVLAR® FIBER WEB & SHOCK PACK CHOKER & SNAP HOOK AT LEG END. ASTM F887



**1246309**  
EZ-STOP ARC FLASH WEB LANYARD  
6' (1.8M) SINGLE LEG WITH NOMEX®/KEVLAR® FIBER WEB & SHOCK PACK, TIE BACK FLOATING D-RING, SNAP HOOKS AT EACH END. ASTM F887



**1246323**  
EZ-STOP ARC FLASH WEB LANYARD  
100% TIE-OFF ALUMINUM SNAP HOOK AT ONE END, ALUMINUM REBAR (2.5" (64 MM) GATE OPENING) AT LEG ENDS X 6' (1.8 M) NOMEX®/KEVLAR® FIBER ON WEB & SHOCK PACK ASTM F887



**1244633**  
SHOCKWAVE2 ARC FLASH  
100% TIE-OFF SNAP HOOK AT ONE END, STEEL REBAR (2.5" (64 MM) GATE OPENING) AT LEG ENDS X 6' (1.8 M) NOMEX®/KEVLAR® FIBER, ELASTIC LEGS. ASTM F887



**1244614**  
SHOCKWAVE2 ARC FLASH  
6' (1.8M) SINGLE LEG WITH NOMEX®/KEVLAR® FIBER WEB, CHOKER ON ONE & ALUMINUM REBAR HOOK ON LEG END. ASTM F887



**1246304**  
EZ-STOP ARC FLASH WEB LANYARD  
4' (1.2M) SINGLE LEG WITH NOMEX®/KEVLAR® FIBER WEB & SHOCK PACK, SNAP HOOKS AT EACH END. ASTM F887



**NANO-LOK**  
SELF RETRACTING LIFELINE



## WE'VE GOT YOUR BACK

Fall protection in bucket trucks poses unique challenges. Tight spaces and lack of mobility can make it difficult and inconvenient for the worker. Our specialized harnesses and lanyards provide a secure connection, full range of motion in limited spaces and the ultimate in arc flash protection to meet or exceed OSHA, ANSI and CSA requirements.

### NANO-LOK ARC FLASH BUCKET TRUCK SRL

Made specifically for the electrical utility industry.

**COMPACT**—The smallest and lightest arc flash SRL on the market

**VERSATILE**—Unrivaled jobsite flexibility

- 18 standard Nano-Lok configurations to meet virtually any arc flash or hot-work need
- Two unique web leg configurations specifically designed for bucket truck and aerial lift applications
- Industry leading 420-lb. (190 kg) user capacity
- **SAFE**—The Nano-Lok Arc Flash SRL has been tested to ASTM F887 standards
- Electric arc performance of 40 cal/cm<sup>2</sup>
- Replaces lanyards and improves worker safety
- Stops falls within inches and reduces fall distances



**3101574**  
NANO-LOK ARC FLASH  
WITH WEB LEG WITH ALUMINUM  
SNAP HOOK—WEB LOOP  
ON HARNESS END



**3101575**  
NANO-LOK ARC FLASH  
WITH WEB LEG AND ALUMINUM  
SNAP HOOK—ALUMINUM  
CARABINER ON HARNESS END



**3101526**  
NANO-LOK ARC FLASH  
WITH SINGLE-LEG CONNECTOR  
AND SNAP HOOK





**EXOFIT NEX™**

**EXOFIT™ XP**



**1103088 SIZE XL**  
 EXOFIT NEX ARC FLASH HARNESS  
 WITH NOMEX®/KEVLAR® FIBER  
 WEB, PVC-COATED ALUMINUM BACK  
 D-RING, LOCKING QUICK CONNECT  
 BUCKLES, COMFORT PADDING  
 .....  
 1103085 SMALL  
 1103086 MEDIUM  
 1103087 LARGE



**1110892 SIZE XL**  
 EXOFIT XP ARC FLASH HARNESS  
 WITH NOMEX/KEVLAR FIBER,  
 PVC-COATED HARDWARE,  
 PASS-THRU BUCKLES, BACK AND  
 LEG NOMEX/KEVLAR FIBER PADS  
 .....  
 1110893 SMALL  
 1110890 MEDIUM  
 1110891 LARGE



**1110882 SIZE XL**  
 EXOFIT XP ARC FLASH HARNESS  
 CONSTRUCTION STYLE, NOMEX/  
 KEVLAR FIBER, WEB AND PADS,  
 BACK WEB LOOP, QUICK CONNECT  
 BUCKLES AND KEVLAR FIBER  
 PASS-THRU BODY BELT  
 .....  
 1110883 SMALL  
 1110880 MEDIUM  
 1110881 LARGE



**1110752 SIZE XL**  
 DELTA ARC FLASH HARNESS  
 WITH 7,000-LB. (3175 KG)  
 NYLON WEB, NO METAL ABOVE  
 WAIST, FRONT AND BACK WEB  
 LOOP, PASS-THRU BUCKLE LEGS,  
 LEATHER INSULATORS  
 .....  
 1110754 SMALL  
 1110750 MEDIUM  
 1110751 LARGE



**1110812 SIZE XL**  
 DELTA ARC FLASH HARNESS  
 WITH NOMEX/KEVLAR FIBER WEB,  
 NO METAL ABOVE WAIST, FRONT AND  
 BACK WEB LOOP, QUICK CONNECT  
 BUCKLE LEGS, LEATHER INSULATORS  
 .....  
 1110815 SMALL  
 1110810 MEDIUM  
 1110811 LARGE



**11150058 SIZE XL**  
 DELTA ARC FLASH KIT  
 WITH 1110751 DELTA ARC FLASH  
 NYLON HARNESS WITH WEB LOOP  
 & 1240861 ARC FLASH SHOCK  
 ABSORBING LANYARD 6' (1.8 M)  
 WITH BAG  
 .....  
 1150913 MEDIUM  
 1150054 LARGE  
 1150918 XX-LARGE

DuPont™, Kevlar® fiber, and Nomex® are trademarks or registered trademarks of E.I. du Pont de Nemours and Company.



# ULTRA-LOK™



3103175  
ULTRA-LOK SELF RETRACTING LIFELINE  
11' (3.3M) OF 1" (2.5CM) NOMEX/KEVLAR FIBER  
WEBBING WITH SWIVEL SNAP HOOK

# NANO-LOK™



3101574  
NANO-LOK ARC FLASH SELF RETRACTING LIFELINE  
WITH ANCHOR HOOK  
8' (24MM) OF 3/4" (19MM) KEVLAR® FIBER  
WEBBING AND WEB LOOP, SWIVELING ANCHOR  
LOOP WITH 13" (33MM) WEB EXTENSION WITH  
ALUMINUM SNAP HOOK

# ULTRA-LOK™



3103275  
ULTRA-LOK SELF RETRACTING LIFELINE  
20' (6.1M) OF 1" (2.5CM) NOMEX/KEVLAR FIBER  
WEBBING WITH SWIVEL SNAP HOOK

# NANO-LOK™



3101536  
NANO-LOK ARC FLASH TWIN-LEG QUICK CONNECT  
SELF RETRACTING LIFELINE - WEB  
8' (2.4M) TWIN-LEG LIFELINES WITH 3/4" (19MM)  
KEVLAR WEB AND STEEL REBAR HOOKS, QUICK  
CONNECTOR FOR HARNESS MOUNTING







- Quick-connect anchorage connector.
- Swiveling anchorage loop.
- Impact-resistant housing.
- Automatic quick-activating fall arrestor.
- 8' (2.4 m) length - 33% more.
- Arc flash industry logo to easily identify the product.
- Arc flash compliant (40 cal/cm<sup>2</sup>).
- Ideal for bucket truck and aerial lift use.
- Impact indicator.
- Equipped with i-safe™
- NEW!**
- With Nomex®/Kevlar® fiber web lifeline with reinforced edges.
- 420 lb. (190 kg) weight capacity.
- 3,600 lb. (16 kN) gate hook.

MODEL SHOWN | 3101526

	LIFELINE HOOK TYPE										ANCHORAGE TYPE				U.S. PART NUMBER	CANADA PART NUMBER
	Steel Snap Hook	Steel Swiveling Snap Hook	Steel Rebar Hook	Steel Rebar Lock Hook	Aluminum Carabiner (captive eye)	Aluminum Rebar Hook	Aluminum Rebar Lock Hook	Dielectric Web Loop	11' (3.4m) Tie-Back	Single Leg Interface	Twin Leg Interface	Steel Carabiner	Web leg with aluminum snap hook			
8' Single	■									■				3101526	3101541	
		■								■				3101527	3101542	
			■							■				3101528	3101543	
				■						■				3101529	3101544	
					■					■				3101530	3101545	
						■				■				3101531	3101546	
							■			■				3101532	3101547	
		■										■		3101533	3101548	
8' 100% Tie-Off														3101534	3101549	
		■												3101535	3101550	
			■											3101536	3101551	
				■										3101537	3101552	
					■									3101538	3101553	
						■								3101539	3101554	
							■							3101540	3101555	
								■						3101565	3101569	
Bucket Truck					■							■		3101574	3101578	
												■		3101575	3101579	

# WE HAVE A SOLUTION FOR ANY SITUATION

Providing fall protection in substations requires the use of a wide variety of equipment. Transformers, breakers, switchgear and confined spaces are a challenge. Locating suitable anchor points, appropriate fall clearance distances and minimum approach distances all pose threats to worker safety. Our solutions are developed to allow you and your team to anchor and maneuver safely wherever you go.

## ADVANCED PORTABLE FALL ARREST SYSTEM



### 8516691

#### ADVANCED PORTABLE FALL ARREST SYSTEM (PFAS)

- THREE INDEPENDENT SWIVELING TIE-OFF POINTS
- 360 DEGREES OF PROTECTION FOR THREE WORKERS
- TELESCOPIC DESIGN; 32.75" (83.2 CM) TO 46" (116.8 CM) TO 57.25" (145.4 CM)
- LIGHTWEIGHT AND DURABLE ALUMINUM CONSTRUCTION
- LEVELING SCREWS PLUMB SYSTEM ON INCLINES UP TO 15 DEGREES
- BUILT-IN ANCHOR RING FOR HORIZONTAL LIFELINE ATTACHMENT
- PORTABLE AND FIXED BASES PROVIDE COMPLETE JOBSITE VERSATILITY



### 8516693

#### RESCUE DAVIT ARM FOR ADVANCED PORTABLE FALL ARREST POST

THE OPTIONAL RESCUE DAVIT ARM ASSEMBLES EASILY TO THE PORTABLE FALL ARREST POST, PROVIDING SIMPLE AND EFFICIENT RESCUE AND MATERIAL-HANDLING CAPABILITIES. IT'S MADE WITH LIGHTWEIGHT ALUMINUM MATERIALS FOR EASY TRANSPORTATION AND SETUP

\*8516691 post not included—order separately





**8516996**

**14' UNI-ANCHOR FALL ARREST POST**  
 MOUNTS USING UNI-ANCHOR PLATES AND EXTENDS UP TO  
 14' (4.2 M) TO PROVIDE A ONE-MAN-RATED FALL-ARREST  
 ANCHOR POINT



**7600502**

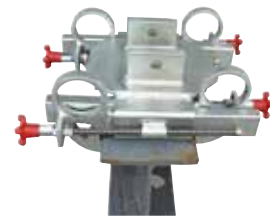
**20' SAYFLINE SYNTHETIC HORIZONTAL LIFELINE SYSTEM**

- COMPLETE SYSTEM IN BAG FOR INSTALL WITH NO SPECIAL TOOLS OR EQUIPMENT
- PORTABLE FOR RE-USE
- TWO TIE-OFF ADAPTORS INCLUDED TO ANCHOR SYSTEM TO STRUCTURE
- CAPACITY OF TWO WORKERS
- 20' TO 100' LENGTHS AVAILABLE (6.1 M TO 30.5 M)

**ACCESSORIES**



**8517422**  
**SAND-BLASTED STEEL UNI-ANCHOR**  
 WITH TIE-OFF ANCHOR



**8516997**  
**UNI-ANCHOR I-BEAM**  
 BASE PORTABLE ANCHOR CLAMPS  
 TO I-BEAMS, 56 LBS. (25.5 KG)

# FLEXIGUARD SOLUTIONS

Flexiguard is designed to meet the requirements of your specific application while ensuring maximum safety and peace of mind.



## HITCH MOUNT ANCHOR SYSTEM

The Hitch Mounted Anchor System is a portable system originally designed to access and maintain equipment. The unique design of this system allows it to attach to a class four hitch for transport on a truck or service vehicle. Assembled in less than 20 minutes, this system provides anchorage points up to 22 feet (6.7 m) tall. It is rated for a maximum of two users and is ANSI and OSHA compliant.

### Features and Benefits:

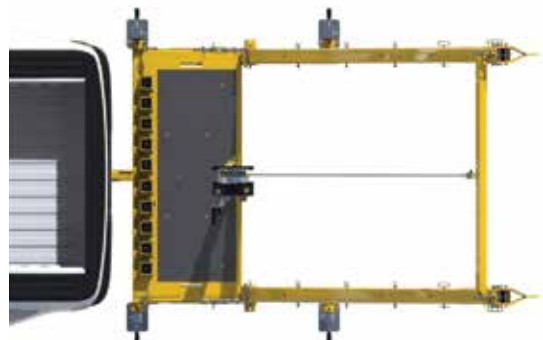
- Hitch mounted system for maximum portability
- Self-standing basket design for easy hookup to truck and convenient storage
- System assembles quickly and raises with included winch
- System includes heavy-duty stabilizing jacks
- Width 6 ft. (1.8 m)
- Anchor Height 22 ft. (6.7 m)
- 2 users

**8530313**  
 HITCH MOUNT ANCHOR SYSTEM  
 ANCHOR HEIGHT 22 FT. (6.7 M)  
 WIDTH 6 FT. (1.8 M), UP TO 2 USERS





HITCH MOUNTED SYSTEM FOR  
MAXIMUM PORTABILITY



# SAFLOK

The unique Saflok Steel Structure Fall Arrest System provides workers with 100% fall protection when connecting to beams, angle iron, bar joists, lattice steel and other structures in traditional power plants, substations, switch yards, manufacturing facilities or construction sites.

**2104810**  
SAFLOK STEEL STRUCTURE FALL ARREST SYSTEM

**9502776**  
CARRY BAG



**2100420**  
HIGH DIELECTRIC ROPE



**2100425**  
ANCHOR TUBE



**5002055**  
ROPE GRAB WITH INTEGRATED SHOCK-ABSORBING LANYARD

**2100418**  
RESCUE LOOP SLING



**2000112**  
CARABINER



**2100419**  
INSTALLATION/REMOVAL TOOL

## LAD-SAF STEEL POLE LADDER SAFETY SYSTEM

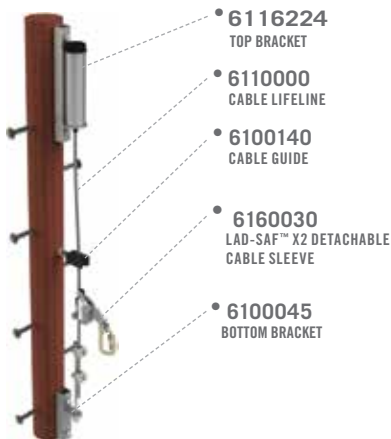
**6100035**  
BOTTOM BRACKET

**6100136**  
CABLE GUIDE

Angle-iron clamp-on and steel pole weld-on systems also available. Call Capital Safety today.



## LAD-SAF™ WOOD POLE (BOLT-ON) LADDER SAFETY SYSTEM





**BUILT IN ANTI-PANIC GRIP**

- Anti-panic grip function engages to arrest a fall even if the user grasps the rope grab in a way that interferes with the primary brake
- Patented inertia cam engages the device from the action of a fall regardless of operation mode

**OPERATION SWITCH**

- Easily switch from automatic to manual and back with a push of a button, even while wearing gloves

**SWIVEL COVER**

- Easy attachment and detachment to lifeline without disconnecting from the user



**TRIPLE ACTION CARABINER**

- Lightweight, triple action carabiner
- 3,600 lb. (16 kN) gate strength

**SHOCK PACK**

- 310 lb. (141 kg) capacity
- Integrated shock pack limits arresting forces 1,348 lbs. (6 kN)

**INTEGRAL SWIVEL**

- Allows the device to travel freely on the lifeline regardless of the harness "D" ring orientation

**SHOCK ABSORBING LANYARD**

- 1 ft. (.3 m) lanyard
- 2 ft (.6 m) lanyard
- 3 ft. (.9 m) lanyard

MODEL SHOWN | 8700572

**8700572 3FT.**  
**ROPE SAFE™ ROPE GRAB**  
**SHOCK ABSORBING LANYARD AND**  
**ALUMINUM TRIPLE ACTION CAPTIVE**  
**EYE CARABINER**  
 .....  
**8700570 1FT.**  
**8700571 2FT.**

**ROPES**



PART #	DESCRIPTION
8705115	ROPE LIFELINE FINISHED BOTH ENDS WITH A THIMBLE 7/16" (11 MM) STATIC KERNMANTLE, POLY/NYLON 50' (15 M)
8705116	ROPE LIFELINE FINISHED BOTH ENDS WITH A THIMBLE 7/16" (11 MM) STATIC KERNMANTLE, POLY/NYLON 100' (30 M)
8705117	ROPE LIFELINE FINISHED BOTH ENDS WITH A THIMBLE 7/16" (11 MM) STATIC KERNMANTLE, POLY/NYLON 200' (60 M)

# DBI-SALA® ADVANCED™ CONFINED SPACE

Entering and exiting confined spaces can happen in a variety of circumstances and pose a myriad of challenges: restricted movement, limited space and general physical challenges. That's why our hoist and winch equipment provide the most lightweight and efficient rescue and retrieval with the greatest reliability. We believe our products are the strongest, lightest and most versatile in the industry.



**8518000**  
ADVANCED FIVE-PIECE HOIST SYSTEM  
DAVIT ARM AND BASE SYSTEM INCLUDES 11.5"  
TO 27.5" (29.2 CM TO 69.8 CM) ADJUSTABLE  
OFFSET UPPER MAST 8518001, 33" (83.8 CM)  
LIGHTWEIGHT LOWER MAST 8518002 AND  
THREE-PIECE LIGHTWEIGHT BASE 8518005.  
INCLUDES WINCH-MOUNTING BRACKET

Order winch and SRL separately.



**8530352**  
ADVANCED 4-IN-1 DAVIT GUARD SYSTEM  
PORTABLE FALL ARREST, CONFINED SPACE  
ENTRY AND RESCUE SYSTEM WITH DAVIT AND  
GUARDRAIL. SYSTEM INCLUDES A COLLAPSIBLE  
BASE TO REDUCE STORAGE AND TRANSPORT  
SPACE. A STANDARD TIE-OFF POINT PROVIDES A  
CONVENIENT 5000 LB. (22KN) ANCHORE POINT  
FOR FALL ARREST DEVICES WHERE REQUIRED.  
INCLUDES WINCH-MOUNTING BRACKET

Order winch and SRL separately.





# SALALIFT II

The Salalift II is manually operated for easy operation. Simply rotate the handle to raise or lower personnel or materials. Gear ratio is 6:1 with an average lifting speed of 3.8 m/min. No power source is required. The quick Mount System incorporates a quick-mount bracket which mates with a bracket on all DBI-SALA® support structures allowing the user to attach/detach the device with a detent pin to make retrofitting easy (no additional hardware needed).



**8102001**  
SALALIFT II WINCH  
WITH 60' (18.3 M) OF 1/4" (6.4 MM) GALVANIZED  
CABLE, MOUNTING BRACKET AND WINCH BAG

**8000000**  
ADVANCED 7' (2.13 M) ALUMINUM TRIPOD  
WITH ADJUSTABLE LOCKING LEGS, SAFETY  
CHAINS, RUBBER SAFETY SHOES WITH SPIKED  
EDGES, TOP PULLEY ASSEMBLY AND MOUNTING  
BRACKET BASE 8005048

MODEL #	DESCRIPTION	TOTAL WEIGHT
8102001	SALALIFT II WINCH WITH 60' (18.3 M) OF 1/4" (6.4 MM) GALVANIZED CABLE, MOUNTING BRACKET AND WINCH BAG	16.3 KG
8102003	SALALIFT II WINCH WITH 60' (18.3 M) OF 1/4" (6.4 MM) STAINLESS STEEL CABLE, MOUNTING BRACKET AND WINCH BAG	16.3 KG
8102009	SALALIFT II WINCH WITH 90' (27.4 M) OF 3/16" (4.8 MM) GALVANIZED CABLE, MOUNTING BRACKET AND WINCH BAG	15.8 KG
8102011	SALALIFT II WINCH WITH 90' (27.4 M) OF 3/16" (4.8 MM) STAINLESS STEEL CABLE, MOUNTING BRACKET AND WINCH BAG	15.8 KG
8102005	SALALIFT II WINCH WITH 120' (36.6 M) OF 3/16" (4.8 MM) GALVANIZED CABLE, MOUNTING BRACKET AND WINCH BAG	16.7 KG
8102007	SALALIFT II WINCH WITH 120' (36.6 M) OF 3/16" (4.8 MM) STAINLESS STEEL CABLE, MOUNTING BRACKET AND WINCH BAG	16.7 KG
8102050	SALALIFT II WINCH WITH 50' (15.2 M) OF SYNTHETIC TECHNORA ROPE AND LIFELINE COUNTERWEIGHT, MOUNTING BRACKET AND WINCH BAG	14.9 KG



**SMALLER. LIGHTER. EASIER. SAFER.**

Don't complicate a rescue - the Rollgliss R550 keeps things simple. It's the lightest, most compact, easy to use design on the market. It offers the choice of rescue, evacuation, or the versatility of assisted rescue with lifting capabilities. When every second counts, count on the R550.



**ROLLGLISS R550 RESCUE AND DESCENT DEVICE**  
 RESCUE AND DESCENT KIT WITH RESCUE WHEEL, ANCHOR SLING, 2 CARABINERS AND A CARRYING BAG

- 3327050 50' (16m)
- 3327100 100' (30.5m)
- 3327150 150' (46m)
- 3327200 200' (61m)
- 3327275 275' (84m)
- 3327300 300' (92m)

*More Lengths available on request*

**RESCUE EQUIPMENT**



**1150414**  
 EXOFIT NEX ROPE ACCESS AND RESCUE HARNESS SUSPENSION SEAT SLING



**2100093**  
 RESCUE HOOK AND HOT STICK ADAPTOR TOOL\*

**2100111**  
 HOT STICK ADAPTOR TOOL ONLY\*

*\* ITEMS SHOULD BE USED WITH HOT STICK POLE*

**EMERGENCY ESCAPE**

- Secure R550 to anchor point
- Connect the snap hook to dorsal or front d-ring of harness
- Descend safely to the ground

**ASSISTED RESCUE**

- Secure R550 to anchor point
- Get into position above the victim
- Attach snap hook to victim
- Raise victim to unhook their fall arrest gear
- Descend victim safely to the ground

**PICK-OFF RESCUE**

- Use when a victim is out of reach
- Secure R550 to anchor point and lower a second rescuer to victim
- Attach victim to rescuer
- Raise victim to unhook their fall arrest gear
- Descend both rescuer and victim to safety

**CUSTOM RESCUE**

- The R550 can be used for custom rescues, like an angled descent
- Secure R550 to anchor point on or near the ground
- Run the rope up through a pulley above the victim
- Raise victim to unhook their fall arrest gear
- Lower the victim to the ground, away from structure

**rollgliss™**  
**RESCUE POLE**

**8900298**  
 ROLLGLISS RESCUE POLE  
 ASSISTED POLE RESCUE KIT WITH 4' TO 16' (1.2 TO 4.9) ALUMINUM EXTENSION POLE, OVER-SIZED ALUMINUM CONNECTION HOOK WITH 2-1/4" GATE OPENING (57.1 MM) AND CARRYING BAG



**rollgliss™**  
**ROLLGLISS R520 RESCUE AND DESCENT**

This fully automatic, hands-free descent for bucket trucks, aerial lifts, towers, cranes and more is simply the best escape solution on the market. It's easier to use and requires less training.

**3305040**  
 50' ROLLGLISS R520 ESCAPE DEVICE  
 PROVIDES A QUICK, EFFICIENT MEANS OF EVACUATION FROM VARIOUS ELEVATED WORK SURFACES

Features and Benefits:

- Emergency rescue and evacuation from a wide variety of elevated work areas
- Fully automatic controlled descent
- Bidirectional design enables multiple rescues
- Dual redundant brake systems
- Integrated rope control ears
- Extremely compact and lightweight design
- Other lengths available up to 500 ft. (152 m) height



Additional Rollgliss accessories are on pages 30-31.



# EQUIPMENT THAT WON'T LET YOU DOWN UNTIL YOU NEED IT TO

Capital Safety makes gear that's lighter, easier to use and quick to set up, because we want it to be there when you need it. Whether it's controlled decent rescue or technical rope access rescue you're looking for, we have you covered.

## HARNESSES



**1 1 13323 SIZE XL**  
 EXOFIT NEX ARC FLASH CONSTRUCTION STYLE  
 POSITIONING/RESCUE HARNESS  
 BACK AND FRONT WEB RESCUE LOOPS, BELT  
 WITH PAD AND PVC COATED ALUMINUM SIDE  
 D-RINGS, NOMEX®/KEVLAR® FIBER WEBBING  
 AND COMFORT PADDING, LOCKING QUICK  
 CONNECT BUCKLE LEG STRAPS

1113320 SMALL  
 1113321 MEDIUM  
 1113322 LARGE



**1 1 13328 SIZE XL**  
 EXOFIT NEX ARC FLASH RESCUE HARNESS  
 BACK AND FRONT WEB RESCUE LOOPS, NOMEX®/  
 KEVLAR® FIBER WEBBING AND COMFORT  
 PADDING, LOCKING QUICK CONNECT BUCKLE  
 LEG STRAPS

1113325 SMALL  
 1113326 MEDIUM  
 1113327 LARGE



**1 1 10782 SIZE XL**  
 DELTA ARC FLASH HARNESS  
 WITH 7,000-LB. (3175 KG) NYLON WEB, VEST  
 STYLE, BACK WEB LOOP, QUICK CONNECT  
 BUCKLES, LEATHER INSULATORS, RESCUE LOOPS

1110788 SMALL  
 1110780 MEDIUM  
 1110781 LARGE



**1 1 10842 SIZE XL**  
 EXOFIT ARC FLASH HARNESS - DORSAL/RESCUE  
 WEB LOOPS  
 BACK AND FRONT WEB RESCUE LOOPS, COMFORT  
 PADDING WITH NOMEX®/KEVLAR® FIBER,  
 NYLON WEB, LEATHER INSULATORS, QUICK  
 CONNECT BUCKLE LEG STRAPS

1110964 SMALL  
 1110840 MEDIUM  
 1110841 LARGE





## EXOFIT NEX™



**1113348 SIZE XL**  
 EXOFIT NEX ROPE ACCESS AND RESCUE HARNESS  
 REPEL™ WEB, TECH-LITE™ ALUMINUM FRONT,  
 BACK AND SIDE D-RINGS, DUO-LOK™ QUICK CONNECT  
 BUCKLES AND HYBRID COMFORT PADDING

1113345 SMALL  
 1113346 MEDIUM  
 1113347 LARGE

**1113373 SIZE XL**  
 EXOFIT NEX BLACK-OUT ROPE  
 ACCESS AND RESCUE HARNESS  
 REPEL WEB, TECH-LITE ALUMINUM  
 FRONT, BACK AND SIDE D-RINGS,  
 DUO-LOK QUICK CONNECT BUCKLES  
 AND HYBRID COMFORT PADDING

1113370 SMALL  
 1113371 MEDIUM  
 1113372 LARGE



**1150414**  
 EXOFIT NEX ROPE ACCESS  
 AND RESCUE HARNESS SEAT

## I-SAFE 3.1 MOBILE APP FLEXIBLE. CONVENIENT. EFFICIENT.

Compatible with iPhones®, iPads® and Android™ smartphones or tablets.

### VIRTUALLY ALL DBI-SALA® PRODUCTS INCLUDE i-SAFE FUNCTIONALITY

As part of the Capital Safety commitment to safety innovation, you can easily integrate the i-Safe application with your current line of DBI-SALA® products, making your life easier to track your world-class investments.

### THE FIRST RFID SYSTEM DEDICATED TO FALL PROTECTION EQUIPMENT

i-Safe Intelligent Safety System is an invaluable tool for customers looking to:

- Save time
- Increase compliance
- Improve the management of the safety equipment inspection process

# = rollgliss™ =

The Rollgliss Technical Rescue product line meets the needs of rescuers for rigging, encompassing everything from single descent systems to complicated flying foxes. The Rollgliss Technical Rescue Range compliments our already-established line of Industrial Rescue systems, including pre-rigged rescue kits like the Rollgliss R350, Rollgliss R550 and more. When your life and the lives of others depend on it, you want to know that your rescue kit won't fail you. Trust in the strength of a product that was made for working hard.

## DESCENDERS



**8700387**  
NOWORRIES™ DOUBLE  
STOP DESCENDER  
ANODIZED GOLD  
ALUMINUM 10.5-12.0MM  
ROPE



**8700388**  
NOWORRIES™ DOUBLE  
STOP DESCENDER  
ANODIZED BLUE/GOLD  
ALUMINUM 12.5-13.0MM  
ROPE

## RIGGING PLATES



**2189999**  
RIGMASTER™ RIGGING PLATE  
PAW-SHAPED FIVE  
ANODIZED GOLD



**2189997**  
RIGMASTER RIGGING PLATE  
SMALL TRIANGLE SIX  
ANODIZED GOLD

## CARABINERS & QUICK LINKS



**8700168**  
RIGMASTER CARABINERS\*  
SMALL OFFSET D RESCUE  
CARABINER ALUM 5/8" (16 MM)  
SCREW GATE 6,750 LBS. (30 KN)



**8700198**  
RIGMASTER CARABINERS\*  
MEDIUM OFFSET D RESCUE  
CARABINER ALUM 7/8" (22 MM)  
SCREW GATE 8,100 LBS. (36 KN)



**2000025**  
RIGMASTER CARABINERS  
MEDIUM OFFSET D RESCUE  
CARABINER ALUM 7/8" (22 MM)  
AUTO LOCKING 8,100 LBS. (36 KN)

\*Carabiners do not meet ANSI standards.

## PULLEYS



**8700012**  
SINGLE ALUM  
1.5" (40 MM) UP TO 7/16" (11 MM)



**8700013**  
PRUSIK MINDING SINGLE ALUM  
1.5" (40 MM) UP TO 7/16" (11 MM)



**8700057**  
RESCUEMATE™ TRANSPORT PULLEY  
TYROLEAN "V" ALUM 2.25" (60 MM)  
UP TO 1/2" (13 MM)

\*ROPES FOUND ON PG.23





**HAUL KITS**

**8701100**  
 RESCUEMATE MICRO HAUL KIT  
 MECHANICAL ADVANTAGE: 6:1  
 WORKING LENGTH: 6.5' (2 M)  
 ROPE SIZE: 5/16" (8 MM)  
 WORKING LOAD LIMIT: 660 LBS. (300 KG)

**8704104**  
 RESCUEMATE AUTO LOCK HAUL KIT  
 MECHANICAL ADVANTAGE: 4:1  
 WORKING LENGTH: 33' (10 M)  
 ROPE SIZE: 7/16" (11 MM)  
 WORKING LOAD LIMIT: 660 LBS. (300 KG)



**ACCESSORIES**

**ROPECRAFT™ BAGS - PVC**

PART #	CI	HOLDS 7/16" (11MM)	HOLDS 1/2" (13MM)
8700225	1,525CI (25L)	164' (50M)	82' (25M)
8700222	2,440CI (25L)	328' (100M)	164' (50M)
8700223	3,050CI (25L)	655' (200M)	328' (100M)
8700224	3,660CI (25L)	980' (300M)	655' (200M)



8700222

**ASCENDERS**

**8700523**  
 LEFT-HAND ASCENDER  
 ROPE SIZE: 7/16"-1/2"  
 (10.5-13 MM)



**8700524**  
 RIGHT-HAND ASCENDER  
 ROPE SIZE: 7/16"-1/2"  
 (10.5-13 MM)



**8700522**  
 CHEST ASCENDERS  
 GOLD, RETROFIT  
 ROPE SIZE: 7/16"-1/2"  
 (10.5-13 MM)



**EXPLORER FOOT LOOPS & ETRIER**

PART #	DESCRIPTION
1219006	SINGLE-LEG WEBBING FOOT LOOP ADJUSTABLE UP TO 6' (1.8 M)
1219020	5-STEP ETRIER WEBBING 6' (1.8 M)

**SWIVEL & GEAR ROLL**

**8700144**  
 SWIVEL  
 MINIMUM BREAKING  
 STRENGTH: 9,000 LBS. (40 KN)



**1219020**  
 EXPLORER™ ETRIER  
 EXPLORER 5-STEP ETRIER,  
 6' (1.8M) LENGTH



## **INNOVATION THAT BRINGS WORKERS AT HEIGHT HOME SAFELY.**

Capital Safety is a global company solely dedicated to fall protection and rescue. Our focus is razor sharp. And it continually drives us to design and manufacture the safest possible height safety gear.

We understand the industries we serve and listen to the workers in the field. We employ the best engineers to create innovative solutions and patent the products that keep workers safe at heights around the world. Capital Safety has the best quality and largest range of fall protection products in the industry. But we're more than a product company.

We take an innovative approach in bringing our products to the field. We have created international partnerships and a vast network of authorized distributors, certified installers and service centers. We offer on-site and in-house training. And we're ISO 9001-2008 certified for customer service, as well as manufacturing and engineering.

Capital Safety is one of the world's leading manufacturers of fall protection and rescue equipment, with decades of experience and a legacy of innovation. Look for complete solutions in our extensive line of DBI-SALA® and Protecta® products.



Capital Safety - USA: 800 328 6146  
[www.capitalsafety.com](http://www.capitalsafety.com) [info@capitalsafety.com](mailto:info@capitalsafety.com)