



## *Weatherproof Boxes, Covers & Lighting*



## STANDARDS

BELL® UPC Vendor Number 050169.

Where applicable, BELL® products are engineered in accordance with the standards established by Underwriters Laboratories and the Canadian Standards Association. Dimensional data listed in this catalog is intended for general reference with broad tolerance limits.

### 2020 NEC®

When specifying BELL® Weatherproof boxes and covers, consult the requirements of the National Electrical Code®, Article 314.16 (B) and 406.9 (B). Article 314.16 (B) details the NEC® requirements for the maximum number of conductors allowed for a BELL® Weatherproof installation. Article 406.9 (B) provides details on the NEC® requirements for receptacles being used in wet locations.

For your convenience, we have reprinted the pertinent NEC® articles. In all cases, consult your local electrical code and inspector interpretation.

### Wiring Capacity: BELL® Weatherproof Boxes and Extensions

#### Maximum Number of Conductors or Minimum Size Box (Article 314.16 (B))

The purpose of Section 314.16 (B) is to determine the maximum conductor count or the minimum box size required for the job. It also can be used to figure how many other conductors may be added without exceeding the Code-prescribed limit. Most applications have determined the number of conductors. The rules of Section 314.16 (B) are used to determine the Code recognized limit, or smallest box that may be installed.

Selection of any BELL® Weatherproof box or extension for use in any electrical circuit work must take into consideration the maximum number of wires permitted in the box. Safe electrical practice demands that wires not be jammed into boxes because of the possibility of nicks, abrasions, or other damage to the insulating material, creating the potential for ground faults or short circuits.

**314.16 Number of Conductors in Outlet, Device, and Junction Boxes, and Conduit Bodies.** Boxes and conduit bodies shall be of an approved size to provide free space for all enclosed conductors. In no case shall the volume of the box, as calculated in 314.16(A), be less than the fill calculation as calculated in 314.16(B). The minimum volume for conduit bodies shall be as calculated in 314.16(C).

The provisions of this section shall not apply to terminal housings supplied with motors or generators.

Boxes and conduit bodies enclosing conductors 4

AWG or larger shall also comply with the provisions of 314.28. Outlet and device boxes shall also comply with 314.24.

**(A) Box Volume Calculations.** The volume of a wiring enclosure (box) shall be the total volume of the assembled sections and, where used, the space provided by plaster rings, domed covers, extension rings, and so forth, that are marked with their volume or are made from boxes the dimensions of which are listed in Table 314.16(A). (1) Standard Boxes. The volumes of standard boxes that are not marked with their volume shall be as given in Table 314.16(A).

**(2) Other Boxes.** Boxes 1650 cm<sup>3</sup> (100 in.<sup>3</sup>) or less, other than those described in Table 314.16(A), and nonmetallic boxes shall be durably and legibly marked by the manufacturer with their volume. Boxes described in Table 314.16(A) that have a volume larger than is designated in the table shall be permitted to have their volume marked as required by this section.

**(B) Box Fill Calculations.** The volumes in paragraphs 314.16(B)(1) through (B)(5), as applicable, shall be added together. No allowance shall be required for small fittings such as locknuts and bushings. Each space within a box installed with a barrier shall be calculated separately.

**(1) Conductor Fill.** Each conductor that originates outside the box and terminates or is spliced within the box shall be counted once, and each conductor that passes through the box without splice or termination shall be counted once. Each loop or coil of unbroken conductor not less than twice the minimum length required for free conductors in 300.14 shall be counted twice. The conductor fill shall be calculated using Table 314.16(B). A conductor, no part of which leaves the box, shall not be counted.

*Exception: An equipment grounding conductor or conductors or not over four fixture wires smaller than 14 AWG, or both, shall be permitted to be omitted from the calculations where they enter a box from a domed luminaire or similar canopy and terminate within that box.*

**(2) Clamp Fill.** Where one or more internal cable clamps, whether factory or field supplied, are present in the box, a single volume allowance in accordance with Table 314.16(B) shall be made based on the largest conductor present in the box. No allowance shall be required for a cable connector with its clamping mechanism outside the box.

**(3) Support Fittings Fill.** Where one or more luminaire studs or hickey are present in the box, a single volume allowance in accordance with Table

314.16(B) shall be made for each type of fitting based on the largest conductor present in the box.

**(4) Device or Equipment Fill.** For each yoke or strap containing one or more devices or equipment, a double volume allowance in accordance with Table 314.16(B) shall be made for each yoke or strap based on the largest conductor connected to a device(s) or equipment supported by that yoke or strap. A device or utilization equipment wider than a single 50 mm (2 in.) device box as described in Table 314.16(A) shall have double volume allowances provided for each gang required for mounting.

**(5) Equipment Grounding Conductor Fill.** Where up to four equipment grounding conductors or equipment bonding jumpers enter a box, a single volume allowance in accordance with Table 314.16(B) shall be made based on the largest equipment grounding conductor or equipment bonding jumper entering in the box. A 1/4 volume allowance shall be made for each additional equipment grounding conductor or equipment bonding jumper that enters the box, based on the largest equipment grounding conductor or equipment bonding conductor.

### (C) Conduit Bodies.

**(1) General.** Conduit bodies enclosing 6 AWG conductors or smaller, other than short-radius conduit bodies as described in 314.16(C)(3), shall have a cross-sectional area not less than twice the cross-sectional area of the largest conduit or tubing to which they can be attached. The maximum number of conductors permitted shall be the maximum number permitted by Table 1 of Chapter 9 for the conduit or tubing to which it is attached.

**(2) With Splices, Taps, or Devices.** Only those conduit bodies that are durably and legibly marked by the manufacturer with their volume shall be permitted to contain splices, taps, or devices. The maximum number of conductors shall be calculated in accordance with 314.16(B). Conduit bodies shall be supported in a rigid and secure manner.

**(3) Short Radius Conduit Bodies.** Conduit bodies such as capped elbows and service-entrance elbows that enclose conductors 6 AWG or smaller, and are only intended to enable the installation of the raceway and the contained conductors, shall not contain splices, taps, or devices and shall be of an approved size to provide free space for all conductors enclosed in the conduit body.

### 406.9 Receptacles in Damp or Wet Locations.

**(A) Damp Locations.** A receptacle installed outdoors in a location protected from the weather or in other damp locations shall have an enclosure for the receptacle that is weatherproof when the receptacle

is covered (attachment plug cap not inserted and receptacle covers closed).

An installation suitable for wet locations shall also be considered suitable for damp locations.

A receptacle shall be considered to be in a location protected from the weather where located under roofed open porches, canopies, marquees, and the like, and will not be subjected to a beating rain or water runoff. All 15- and 20-ampere, 125- and 250-volt nonlocking receptacles shall be a listed weather-resistant type.

*Informational Note:* The types of receptacles covered by this requirement are identified as 5-15, 5-20, 6-15, and 6-20 in ANSI/NEMA WD 6-2016, Wiring Devices — Dimensional Specifications.

### (B) Wet Locations.

#### (1) Receptacles of 15 and 20 Amperes in a Wet Location.

15- and 20-ampere, 125- and 250-volt receptacles installed in a wet location shall have an enclosure that is weatherproof whether or not the attachment plug cap is inserted. An outlet box hood installed for this purpose shall be listed and shall be identified as “extra-duty.” All 15- and 20-ampere, 125- and 250-volt nonlocking-type receptacles shall be listed weather-resistant type.

*Informational Note No. 1:* Requirements for extra-duty outlet box hoods are found in ANSI/UL 514D-2016, Cover Plates for Flush-Mounted Wiring Devices.

*Informational Note No. 2:* The types of receptacles covered by this requirement are identified as 5-15, 5-20, 6-15, and 6-20 in ANSI/NEMA WD 6-2016, Wiring Devices — Dimensional Specifications.

### Calculate The Minimum Size Box

Section 314-16(B) describes in detail the method of counting wires, as well as clamps, fittings, or devices (i.e., switches, receptacles, combination devices) — by establishing an equivalent conductor-value for each. These values are added together to get a total number of conductors. The minimum size box is the smallest one in cubic inch size that can accommodate that number of conductors.

#### Points to Remember:

1. No matter how many ground wires come into a box, they only count as one conductor within the box.
2. Any wire running unbroken through the box counts as one wire.
3. Each wire coming into a splice device (crimp or twist-on type) is counted as one wire.
4. Each wire coming into the box and connecting to a device counts as one wire of that size.
5. Where devices are mounted in the box, the total conductor count must be increased by two for each mounting strap.

*Exception: 15- and 20-ampere, 125- through 250-volt receptacles installed in a wet location and subject to routine high-pressure spray washing shall be permitted to have an enclosure that is weatherproof when the attachment plug is removed.*

**(2) Other Receptacles.** All other receptacles installed in a wet location shall comply with 406.9(B)(2)(a) or (B)(2)(b).

(a) A receptacle installed in a wet location, where the product intended to be plugged into it is not attended while in use, shall have an enclosure that is weatherproof with the attachment plug cap inserted or removed.

(b) A receptacle installed in a wet location where the product intended to be plugged into it will be attended while in use (e.g., portable tools) shall have an enclosure that is weatherproof when the attachment plug is removed.

**(C) Bathtub and Shower Space.** Receptacles shall not be installed within a zone measured 900 mm (3 ft) horizontally and 2.5 m (8 ft) vertically from the top of the bathtub rim or shower stall threshold. The identified zone is all-encompassing and shall include the space directly over the tub or shower stall.

**(D) Protection for Floor Receptacles.** Standpipes of floor receptacles shall allow floor-cleaning equipment to be operated without damage to receptacles.

**(E) Flush Mounting with Faceplate.** The enclosure for a receptacle installed in an outlet box flush-mounted in a finished surface shall be made weatherproof by

means of a weatherproof faceplate assembly that provides a watertight connection between the plate and the finished surface.

### GENERAL FEATURES AND BENEFITS

BELL® Weatherproof products all offer these features and benefits:

- Rugged seamless die cast construction that will not allow entry of moisture
- Reinforced connector outlets to provide a secure mechanical installation
- State-of-the-art powder coat paint for maximum weatherability and scratch resistance
- Bilingual instructions provided with every product
- Installation hardware and ground screws included where applicable
- Shrink-wrap packaging that keeps all components together
- UPC-A barcoding to help lower transaction costs

Refer to the pages that follow for more specific information about BELL® products.

National Electric Code® and NEC® is a registered Trademark of the National Fire Protection Association.

### Example – BELL® Weatherproof

Supply power to a single switch with #14 conductors. Metal conduit will be used as the wire way. You must provide space for four conductors and one switch, totally a conductor count of 6. Read across the line in Table 314.16(B) for a #14 conductor. Multiply 6 times the free space within a box. For each conductor for a #14 conductor 2.00. This example requires a minimum box of 12.0 cubic inches.

Table 314.16(B)		
Volume Allowance Required per Conductor		
Size of Conductor	Free Space Within Box for Each Conductor	
(AWG)	cm <sup>3</sup>	in. <sup>3</sup>
18	24.6	1.50
16	28.7	1.75
14	32.8	2.00
12	36.9	2.25
10	41.0	2.50
8	49.2	3.00
6	81.9	5.00

**DIE-CAST ALUMINUM BOXES**
**DIE-CAST ALUMINUM EXTENSIONS AND ADAPTERS**
**APPLICATIONS**

- For use in branch circuit wiring in wet, damp or dry locations
- May be used as a weatherproof junction box, or as a housing for receptacles, switches and GFCI's

**PRODUCT FEATURES**

- Reinforced connector outlets
- Durable powder coat finish
- Eight box mounting options with detachable lugs provided
- Two closure plugs included
- Ground screw installed
- Multilingual instructions in each package
- Internal threads on hubs comply with NEMA requirements. Hubs accept all threaded fittings and threaded conduit

**COMPLIANCES**

- – File 195978
- NEMA 3R Rated

**1-GANG**

**5320-0 to 5320-9**  
**5324-0 to 5324-5**
**5320-1**
**5320-2**

**5321-0 to 5321-6, 5330-0**
**5322-0, 5331-0**
**5323-0, 5332-0**
**5385-0 to 5387-0**

CATALOG #	CUBIC IN. (CM <sup>3</sup> )	DESCRIPTION	COLOR	OUTLETS	PKG. TYPE	STD. PKG.	BARCODE
<b>2" Deep, with Lugs – Three Threaded Outlets – 4-1/2" X 2-3/4"</b>							
5320-0	18.3 (299.9)	Gray	(3) 1/2"	Shrink	20		
5320-1	18.3 (299.9)	White	(3) 1/2"	Shrink	20		
5320-2	18.3 (299.9)	Bronze	(3) 1/2"	Shrink	20		
5320-5	18.3 (299.9)	Gray	(3) 1/2"	Carded	6		
5320-6	18.3 (299.9)	White	(3) 1/2"	Carded	6		
5320-7	18.3 (299.9)	Bronze	(3) 1/2"	Carded	6		
5320-9	18.3 (299.9)	Gray	(3) 1/2"	Bulk	50		
5324-0	18.3 (299.9)	Gray	(3) 3/4"	Shrink	20		
5324-1	18.3 (299.9)	White	(3) 3/4"	Shrink	20		
5324-5	18.3 (299.9)	Gray	(3) 3/4"	Carded	6		
<b>2" Deep, with Lugs – Four Threaded Outlets – 4-1/2" X 2-3/4"</b>							
5321-0	18.3 (299.9)	Gray	(4) 1/2"	Shrink	20		
5321-1	18.3 (299.9)	White	(4) 1/2"	Shrink	20		
5321-2	18.3 (299.9)	Bronze	(4) 1/2"	Shrink	20		
5321-5	18.3 (299.9)	Gray	(4) 1/2"	Carded	6		
5321-6	18.3 (299.9)	White	(4) 1/2"	Carded	6		
5330-0	18.3 (299.9)	Gray	(4) 3/4"	Shrink	20		
<b>2" Deep, with Lugs – Five Threaded Outlets – 4-1/2" X 2-3/4"</b>							
5322-0	18.3 (299.9)	Gray	(5) 1/2"	Shrink	20		
5331-0	18.3 (299.9)	Gray	(5) 3/4"	Shrink	20		
5323-0	18.3 (299.9)	Gray	(5) 1/2"	Shrink	20		
5332-0	18.3 (299.9)	Gray	(5) 3/4"	Shrink	20		
<b>2-5/8" Deep, with Lugs – Three Threaded Outlets – 4-1/2" X 2-3/4"</b>							
5385-0	22.5 (368.7)	Gray	(3) 1/2"	Shrink	15		
5386-0	22.5 (368.7)	Gray	(3) 3/4"	Shrink	15		
5387-0	22.5 (368.7)	Gray	(3) 1"	Shrink	15		

**1-GANG**

**5406-0**

(No ground screw provided)

**5399-0, 5403-0**

(Includes one closure plug)

**5400-0 to 5400-5**  
**5405-0**

(Includes three closure plugs)

CATALOG #	CUBIC IN. (CM <sup>3</sup> )	DESCRIPTION	COLOR	OUTLETS	PKG. TYPE	STD. PKG.	BARCODE
<b>1-Gang Extension – 4-1/2" X 2-3/4" X 1" Deep</b>							
5406-0	9.5 (155.7)	Gray	—	Shrink	25		
<b>1-Gang – Extension Adapters – 5-1/4" X 3-1/2" X 1-1/2" Deep – Two threaded outlets</b>							
5399-0	9.5 (155.7)	Gray	(2) 1/2"	Shrink	20		
5403-0	11.0 (180.3)	Gray	(2) 3/4"	Shrink	20		
<b>1-Gang – Extension Adapters – 5-1/4" X 3-1/2" X 1-1/2" Deep – Six Threaded outlets</b>							
5400-0	9.5 (155.7)	Gray	(6) 1/2"	Shrink	20		
5400-5	9.5 (155.7)	Gray	(6) 1/2"	Carded	6		
5405-0	11.0 (180.3)	Gray	(6) 3/4"	Shrink	20		

**APPLICATIONS**

- Use to provide additional capacity needed for NEC box fill requirements
- Adapters allow installer to add "take-offs" to new boxes/devices

**PRODUCT FEATURES**

- Installation hardware, gasket, and ground screw provided
- Closure plugs provided for two and six outlet styles
- Internal threads and hubs comply with NEMA requirements. Hubs accept all threaded fittings and threaded conduit

**COMPLIANCES**

- – File E195978
- NEMA 3R Rated


**5412-0, 5413-0**

(Includes one closure plug)

**5414-0, 5415-0**

(Includes three closure plugs)

CATALOG #	CUBIC IN. (CM <sup>3</sup> )	DESCRIPTION	COLOR	OUTLETS	PKG. TYPE	STD. PKG.	BARCODE
<b>Swing-Arm – Extension Adapters – 5-1/4" X 3-1/2" X 1-1/2" Deep – Two Threaded Outlets</b>							
5412-0	13.8 (226.1)	Gray	(2) 1/2"	Shrink	10		
5413-0	13.8 (226.1)	Gray	(2) 3/4"	Shrink	10		
<b>Swing-Arm – Extension Adapters – 5-1/4" X 3-1/2" X 1-1/2" Deep – Six Threaded Outlets</b>							
5414-0	12.8 (209.8)	Gray	(6) 1/2"	Shrink	10		
5415-0	12.8 (209.8)	Gray	(6) 3/4"	Shrink	10		

**APPLICATIONS**

- Used to provide additional capacity needed for NEC box fill requirements
- Allows installer to add "take-offs" to new boxes/devices

**PRODUCT FEATURES**

- Unique swing-arm design speeds installation. Allows the installer better visibility when lining up and threading fasteners
- Rugged die-cast construction
- Reinforced connector outlets
- Durable powder coat finish
- Installation hardware, ground screw and gasket provided
- Multilingual instructions in each package
- Internal threads and hubs comply with NEMA requirements. Hubs accept all threaded fittings and threaded conduit

**COMPLIANCES**

- – File E195978
- NEMA 3R Rated

**DIE-CAST ALUMINUM BOXES**
**DIE-CAST ALUMINUM BOX AND EXTENSION**
**2-GANG**

**5333-0, 5341-0**

**5335-0, 5343-0**

**5337-0 to 5337-5,  
5345-0**

**5337-1**

**5337-2**

**5334-0, 5342-0**

**5340-0, 5348-0**

**5338-0, 5346-0**

**5388-0, 5389-0**

CATALOG #	CUBIC IN. (CM <sup>3</sup> )	DESCRIPTION COLOR	OUTLETS	PKG. TYPE	STD. PKG.	BARCODE
<b>2" Deep, with Lugs – Three Threaded Outlets – 4-1/2" X 4-1/2"</b>						
5333-0	32.0 (524.4)	Gray	(3) 1/2"	Shrink	12	
5341-0	32.0 (524.4)	Gray	(3) 3/4"	Shrink	12	
<b>2" Deep, with Lugs – Four Threaded Outlets – 4-1/2" X 4-1/2"</b>						
5335-0	31.0 (508.0)	Gray	(4) 1/2"	Shrink	12	
5343-0	31.0 (508.0)	Gray	(4) 3/4"	Shrink	12	
<b>2" Deep, with Lugs – Five Threaded Outlets – 4-1/2" X 4-1/2"</b>						
5337-0	31.0 (508.0)	Gray	(5) 1/2"	Shrink	12	
5337-1	31.0 (508.0)	White	(5) 1/2"	Shrink	12	
5337-5	31.0 (508.0)	Gray	(5) 1/2"	Carded	4	
5345-0	31.0 (508.0)	Gray	(5) 3/4"	Shrink	12	
5334-0	32.0 (524.4)	Gray	(5) 1/2"	Shrink	12	
5342-0	32.0 (524.4)	Gray	(5) 3/4"	Shrink	12	
<b>2" Deep, with Lugs – Seven Threaded Outlets – 4-1/2" X 4-1/2"</b>						
5340-0	30.2 (494.9)	Gray	(7) 1/2"	Shrink	12	
5348-0	30.2 (494.9)	Gray	(7) 3/4"	Shrink	12	
5338-0	31.0 (508.0)	Gray	(7) 1/2"	Shrink	12	
5346-0	31.0 (508.0)	Gray	(7) 3/4"	Shrink	12	
<b>2-5/8" Deep, with Lugs – Five Threaded Outlets – 4-1/2" X 4-1/2"</b>						
5388-0	36.0 (589.9)	Gray	(5) 3/4"	Shrink	9	
5389-0	36.0 (589.9)	Gray	(5) 1"	Shrink	9	

**APPLICATIONS**

- For use in branch circuit wiring in wet, damp or dry locations
- May be used as a weatherproof junction box, or as a housing for receptacles, switches and GFCI's

**PRODUCT FEATURES**

- Reinforced connector outlets
- Durable powder coat finish
- Eight box mounting options with detachable lugs provided
- Closure plugs included
- Ground screw installed
- Multilingual instructions in each package
- Internal threads on hubs comply with NEMA requirements. Hubs accept all threaded fittings and threaded conduit

**COMPLIANCES**

- – File E195978
- NEMA 3R Rated

**2-GANG EXTENSION**

**5407-0**

CATALOG #	CUBIC IN. (CM <sup>3</sup> )	DESCRIPTION COLOR	OUTLETS	PKG. TYPE	STD. PKG.	BARCODE
<b>2-Gang Extension – 4-21/32" X 4-21/32" X 1-1/32" Deep</b>						
5407-0	16.0 (262.2)	Gray	—	Shrink	10	

**APPLICATION**

- Used to provide additional capacity needed for NEC box fill requirements

**PRODUCT FEATURES**

- Rugged seamless construction
- Durable powder coat finish
- Installation hardware and gasket provided
- Multilingual instructions in each package

**COMPLIANCES**

- – File E195978
- NEMA 3R Rated

**3-GANG**

**5390-0**

CATALOG #	CUBIC IN. (CM <sup>3</sup> )	DESCRIPTION COLOR	OUTLETS	PKG. TYPE	STD. PKG.	BARCODE
<b>3-Gang Box – 2-5/8" Deep, with Lugs – Seven Threaded Outlets – 4-1/2" X 6-3/8"</b>						
5390-0	55.0 (901.3)	Gray	(7) 3/4"	Boxed	1	

**APPLICATIONS**

- For use in branch circuit wiring in wet, damp or dry locations
- Can be used as a weatherproof junction box, or as a housing for receptacles, switches and GFCI's

**PRODUCT FEATURES**

- Seamless die-cast aluminum construction
- Reinforced connector outlets
- Durable powder coat finish
- Eight box mounting options with detachable lugs provided
- Four closure plugs included
- Ground screws installed
- Multilingual instructions in each package
- Internal threads and hubs comply with NEMA requirements. Hubs accept all threaded fittings and threaded conduit

**COMPLIANCES**

- – File E195978
- NEMA 3R Rated

**DIE-CAST ALUMINUM ROUND SPLICE BOXES AND EXTENSION ADAPTER**
**METAL 1-GANG DEVICE COVERS**
**4" ROUND BOX**
**APPLICATIONS**

- For use in branch circuit wiring in wet, damp or dry locations
- Designed for use as a weatherproof junction box. May be used with BELL® round cluster covers and round lampholder combinations

**PRODUCT FEATURES**

- Rugged die-cast construction
- Reinforced connector outlets
- Durable powder coat finish
- Cast-in mounting lugs provide fast, secure installation
- Includes four closure plugs, installed ground screw and multilingual instructions

**COMPLIANCES**

- UL – File E195978
- NEMA 3R Rated


**5361-0 to 5361-7, 5372-0**
**5361-1**
**5361-2**

CATALOG #	CUBIC IN. (CM <sup>3</sup> )	DESCRIPTION COLOR	OUTLETS	PKG. TYPE	STD. PKG.	BARCODE
<b>4" Round Splice Box – Five Threaded Outlets – 1-1/2" Deep</b>						
5361-0	16.0 (262.2)	Gray	(5) 1/2"	Shrink	16	
5361-1	16.0 (262.2)	White	(5) 1/2"	Shrink	16	
5361-2	16.0 (262.2)	Bronze	(5) 1/2"	Shrink	16	
5361-5	16.0 (262.2)	Gray	(5) 1/2"	Carded	6	
5361-6	16.0 (262.2)	White	(5) 1/2"	Carded	6	
5361-7	16.0 (262.2)	Bronze	(5) 1/2"	Carded	6	
5372-0	16.0 (262.2)	Gray	(5) 3/4"	Shrink	16	

**ROUND EXTENSION ADAPTERS**
**APPLICATIONS**

- For use with 4" round splice boxes
- Extension adapters are used to increase box capacity and allow the installer to add "take-offs" to new boxes/devices

**PRODUCT FEATURES**

- Rugged die-cast construction
- Reinforced connector outlets
- Durable powder coat finish
- Includes installation hardware, closure plugs, gasket and multilingual instructions

**COMPLIANCES**

- UL – File E195978
- NEMA 3R Rated


**5363-0**

CATALOG #	CUBIC IN. (CM <sup>3</sup> )	DESCRIPTION COLOR	OUTLETS	PKG. TYPE	STD. PKG.	BARCODE
<b>4" Round Extension Adapter – Four Threaded Outlets – 1-1/2" Deep</b>						
5363-0	16.3 (267.1)	Gray	(4) 1/2"	Shrink	16	

**MULTICONFIGURATION COVERS**
**APPLICATIONS**

- For use whenever weatherproof protection is required for an outdoor receptacle or switch

**PRODUCT FEATURES**

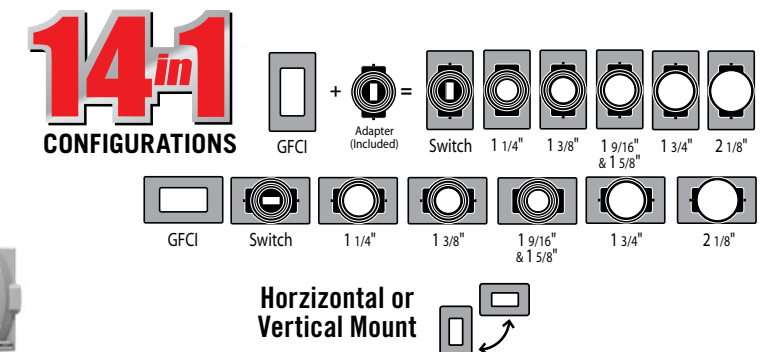
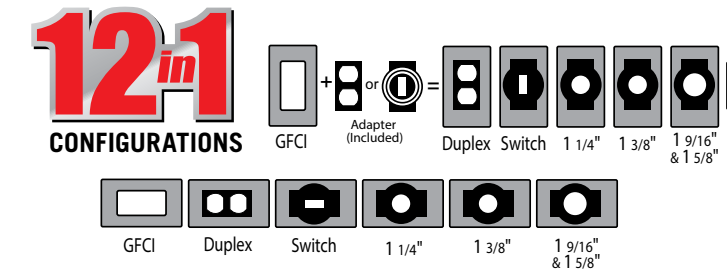
- Heavy duty die-cast metal construction
- Quick-fit keyhole mounting system allows cover installation in under a minute
- Includes gasket and mounting hardware
- Universal Fit Adapter System Technology (U-Fast) comes pre-configured for GFCI
- Durable powder coat finish
- Horizontal or vertical mount
- Lockable tab (fits up to 1/8" shackle)

**COMPLIANCES**

- UL – File E212332
- Meets NEC® 406.9 (A) Requirements
- NEMA 3R rated


**MX1050S**
**MX1050Z**
**MX1050W**

**MX1250S, W, Z**

**MX1550S**


CATALOG #	DESCRIPTION	COLOR	PKG. TYPE	STD. PKG.	BARCODE
<b>1-Gang Flip Covers</b>					
MX1050S	Vertical/Horizontal	Gray	Shrink	20	
MX1050W	Vertical/Horizontal	White	Shrink	20	
MX1050Z	Vertical/Horizontal	Bronze	Shrink	20	
MX1250S	Horizontal/Vertical	Gray	Shrink	20	
MX1250W	Horizontal/Vertical	White	Shrink	20	
MX1250Z	Horizontal/Vertical	Bronze	Shrink	20	
MX1550S	Vertical/Horizontal Twist Lock Cover	Gray	Shrink	10	

**METAL 1-GANG DEVICE COVERS**
**METAL 1-GANG DEVICE COVERS**
**DIE-CAST ALUMINUM RAYNTITE® COVERS**
**APPLICATION**

- For use whenever weatherproof protection is required for an outdoor receptacle

**PRODUCT FEATURES**

- Rugged die-cast construction
- Durable powder coat finish provides maximum weatherability and scratch-resistance
- Self-closing lids assure weatherproof protection when the receptacle is not in use
- Vertical mount covers are padlockable (fits up to 3/16" shackle)
- May be mounted to box or device
- Includes installation hardware, gasket and multilingual instruction

**COMPLIANCES**

- – File E195978
- Meets NEC® 406.9 (A) Requirements
- NEMA 3R rated



CATALOG #	DESCRIPTION	COLOR	PKG. TYPE	STD. PKG.	BARCODE
<b>Rayntite® Vertical Mount – Device Covers</b>					
5026-0	Single, 1.593" diameter	Gray	Shrink	24	
5027-0	Duplex	Gray	Shrink	24	
5028-0	GFCI	Gray	Shrink	24	
5028-5	GFCI	Gray	Carded	6	
5028-6	GFCI	White	Carded	6	
5029-0	20A, 1.710" diameter	Gray	Shrink	12	
5030-0	30-50A, 2.150" diameter	Gray	Shrink	12	
5031-0	Single, 1.406" diameter	Gray	Shrink	12	

**VERTICAL FLIP COVERS**


CATALOG #	DESCRIPTION	COLOR	PKG. TYPE	STD. PKG.	BARCODE
<b>Device Mount</b>					
5146-0	Duplex	Gray	Shrink	24	
5146-1	Duplex	White	Shrink	24	
5146-5	Duplex	Gray	Carded	6	
5103-0	GFCI	Gray	Shrink	24	
5103-1	GFCI	White	Shrink	24	
5103-2	GFCI	Bronze	Shrink	24	
5103-5	GFCI	Gray	Carded	6	
5103-6	GFCI	White	Carded	6	
5103-7	GFCI	Bronze	Carded	6	
5155-0	Single, 1.406" diameter	Gray	Shrink	24	
5155-1	Single, 1.406" diameter	White	Shrink	24	
5155-5	Single, 1.406" diameter	Gray	Carded	6	
5155-6	Single, 1.406" diameter	White	Carded	6	
<b>Box Mount</b>					
5095-0	Duplex	Gray	Shrink	24	

**APPLICATION**

- For use whenever weatherproof protection is required for an outdoor receptacle

**PRODUCT FEATURES**

- Rugged metallic construction
- Durable powder coat finish provides maximum weatherability and scratch-resistance
- Self-closing lids assure weatherproof protection when the receptacle is not in use
- Includes installation hardware, gasket and multilingual instructions

**COMPLIANCES**

- – File E195978
- Meets NEC® 406.9 (A) Requirements
- NEMA 3R rated

**METAL 1-GANG DEVICE COVERS**
**METAL 2-GANG DEVICE COVERS**
**HORIZONTAL FLIP COVERS**
**APPLICATION**

- For use whenever weatherproof protection is required for an outdoor receptacle

**PRODUCT FEATURES**

- Rugged metallic construction
- Durable powder coat finish provides maximum weatherability and scratch-resistance
- Self-closing lids assure weatherproof protection when the receptacle is not in use
- Includes installation hardware, gasket and multilingual instructions

**COMPLIANCES**

- – File E195978
- 
- Meets NEC® 406.9 (A) Requirements
- NEMA 3R rated



CATALOG #	DESCRIPTION	COLOR	PKG. TYPE	STD. PKG.	BARCODE
<b>Device Mount</b>					
5180-0	Duplex	Gray	Shrink	24	
5180-1	Duplex	White	Shrink	24	
5180-2	Duplex	Bronze	Shrink	24	
5180-5	Duplex	Gray	Carded	6	
5180-6	Duplex	White	Carded	6	
5180-7	Duplex	Bronze	Carded	6	
5101-0*	GFCI	Gray	Shrink	24	
5101-1*	GFCI	White	Shrink	24	
5101-2*	GFCI	Bronze	Shrink	24	
5101-5*	GFCI	Gray	Carded	6	
5101-6*	GFCI	White	Carded	6	
5101-7*	GFCI	Bronze	Carded	6	
5102-0	GFCI	Gray	Shrink	24	
5152-0	Single, 1.406" diameter	Gray	Shrink	24	
5153-0	Motor plug base, 1.600" diameter, 125V, 15A wiring device included	Gray	Shrink	12	
5712-5WRTR*	125V, 15A WR/TR Duplex receptacle included	Gray	Carded	6	

\* C/UL Listed

**MULTICONFIGURATION COVERS**

**APPLICATIONS**

- For use whenever weatherproof protection is required for an outdoor receptacle or switch

**PRODUCT FEATURES**

- Heavy duty die-cast metal construction
- Quick-Fit keyhole mounting system allows cover installation in under a minute
- Includes gasket and mounting hardware
- Universal Fit Adapter System Technology (U-Fast) comes pre-configured for GFCI
- Durable powdercoat finish
- Horizontal or vertical mount
- Lockable tab (fits up to 1/8" shackle)

**COMPLIANCES**

- – File E212332
- Meets NEC® 406.9 (A) Requirements
- NEMA 3R rated

CATALOG #	DESCRIPTION	COLOR	PKG. TYPE	STD. PKG.	BARCODE
<b>2-Gang Flip Covers</b>					
MX2050S	2-Device 25-in-1	Gray	Shrink	6	
MX2050WH	2-Device 25-in-1	White	Shrink	4	
MX2050Z	2-Device 25-in-1	Bronze	Shrink	4	
MX2150S	1-Device 3-in-1	Gray	Shrink	4	

METAL LOCKING COVER

METAL 2-GANG DEVICE COVERS

HEAVY DUTY CAST FLUSH WEATHERPROOF

APPLICATIONS

- For use whenever weatherproof protection is required for an outdoor receptacle or switch
- Easily mounts to any 3-3/4" through 4-11/16" square box

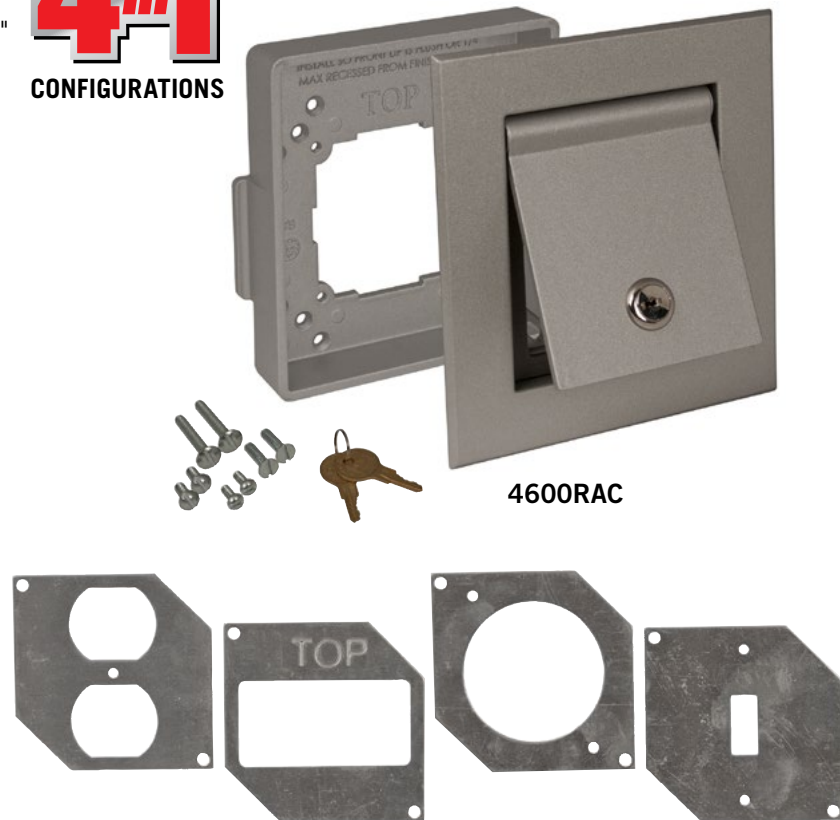
PRODUCT FEATURES

- Heavy duty cast aluminum construction with durable enamel paint
- Cobra Cam lock, key removal in locked and unlocked positions
- 2 keys provided
- Universal Fit Adapter System Technology (U-Fast) for 4-in-1 custom device configurations, comes pre-configured for GFCI
- Irradiation crosslinked polyethylene foam gasket
- Mounting hardware included
- Adapters included for various devices

COMPLIANCES

- cULus – File E212332
- Meets NEC® 406.9 (A) Requirements
- NEMA 3R rated

**4 in 1**  
CONFIGURATIONS



4600RAC



CATALOG #	DESCRIPTION	COLOR	PKG. TYPE	STD. PKG.	BARCODE
4600RAC	1-Device 4-in-1, Heavy duty, weatherproof	Gray	Boxed	1	

DIE-CAST ALUMINUM RAYNTITE® COVERS



5033-0

5034-0

5036-0

5043-0

5045-0

APPLICATION

- For use whenever weatherproof protection is required for an outdoor receptacle

PRODUCT FEATURES

- Rugged die-cast construction
- Durable powder coat finish provides maximum weatherability and scratch resistance
- Self-closing lids assure weatherproof protection when the receptacle is not in use
- Covers are padlockable (fits up to 3/16" shackle)
- May be mounted to box or device
- Includes installation hardware, gasket and multilingual instructions

COMPLIANCES

- cUL – File E195978
- Meets NEC® 406.9 (A) Requirements
- NEMA 3R rated

CATALOG #	DESCRIPTION	COLOR	PKG. TYPE	STD. PKG.	BARCODE
<b>Rayntite® Vertical Mount – Device Covers</b>					
5033-0	(1) Duplex & (1) GFCI	Gray	Shrink	6	
5034-0	(1) 30-50A Receptacle 2.625" diameter	Gray	Shrink	6	
5036-0	(1) 30-50A Receptacle 2.156" diameter	Gray	Shrink	6	
5043-0	(1) Toggle & (1) GFCI	Gray	Shrink	6	
5045-0	(2) GFCI	Gray	Shrink	6	



**METAL 2-GANG DEVICE COVERS**
**METAL 3-GANG DEVICE COVERS**
**2-GANG FLIPCOVERS**
**APPLICATION**

- For use whenever weatherproof protection is required for an outdoor receptacle

**PRODUCT FEATURES**

- Rugged metallic construction
- Durable powder coat finish provides maximum weatherability and scratch resistance
- Self-closing lids assure weatherproof protection when the receptacle is not in use
- Includes installation hardware, gasket and multilingual instructions

**COMPLIANCES**

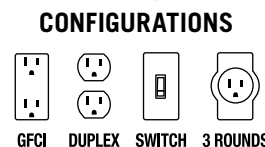
- cUL<sub>us</sub> – File E195978
- UL – File E195978
- Meets NEC® 406.9 (A) Requirements
- NEMA 3R rated


**5148-0 to 5148-5**

**5157-0**

**5145-0**

CATALOG #	DESCRIPTION	COLOR	PKG. TYPE	STD. PKG.	BARCODE
<b>Device Mount</b>					
5148-0	(2) Duplex	Gray	Shrink	18	
5148-5	(2) Duplex	Gray	Carded	4	
5157-0	(2) Single, 1.406" dia.	Gray	Shrink	18	
<b>Box Mount</b>					
5145-0	(2) GFCI	Gray	Shrink	10	

**MULTICONFIGURATION COVER**

**MX3050S**

CATALOG #	DESCRIPTION	COLOR	PKG. TYPE	STD. PKG.	BARCODE
<b>3-Gang Flip Covers</b>					
MX3050S	3-Device 125-in-1	Gray	Shrink	5	

**APPLICATIONS**

- For use whenever weatherproof protection is required for an outdoor receptacle or switch

**PRODUCT FEATURES**

- Heavy duty die-cast metal construction
- Quick-Fit keyhole mounting system allows cover installation in under a minute
- Includes gasket and mounting hardware
- Universal Fit Adapter System Technology (U-Fast) for 125-in-1 custom device configurations, comes pre-configured for GFCI
- Durable powder coat finish
- Horizontal or vertical mount
- Lockable tab (fits up to 3/16" shackle)

**COMPLIANCES**

- cUL<sub>us</sub> – File E212332
- Meets NEC® 406.9 (A) Requirements
- NEMA 3R rated

**BOX MOUNT FLIP COVER**

**5093-0**

CATALOG #	DESCRIPTION	COLOR	PKG. TYPE	STD. PKG.	BARCODE
<b>3-Gang Flip Covers</b>					
5093-0	(3) Single, 1.406" dia.	Gray	Boxed	1	

**APPLICATIONS**

- For use whenever weatherproof protection is required for an outdoor receptacle

**PRODUCT FEATURES**

- Rugged metallic construction
- Durable powder coat finish provides maximum weatherability and scratch resistance
- Self-closing lids assure weatherproof protection when the receptacle is not in use
- Includes installation hardware, gasket and multilingual instructions

**COMPLIANCES**

- cUL<sub>us</sub> – File E195978
- Meets NEC® 406.9 (A) Requirements
- NEMA 3R Rated

**METAL DEVICE COVER COMBOS AND KITS**
**METAL COVERS**
**FLIP COVER COMBOS AND COMPLETE KITS**
**APPLICATION**

- Receptacle and metal cover combos for use whenever weatherproof protection is required in wet, damp, or dry location

**PRODUCT FEATURES**

- High quality Hubbell WRTR device included
- Heavy duty die-cast metal construction
- Includes gasket and mounting hardware
- Durable powder coat finish
- Lockable tab (see cover listings for shackle dia.)
- Includes receptacle and cover
- Each kit is a convenient, complete weatherproof installation – no need to purchase separate components

**COMPLIANCES**

- UL – File E212332 (MD/MG series)
- UL – File E313240 (5839 series)
- cULus – File E346152 (5874/MK series)
- Meets NEC® 406.9 (A) Requirements
- NEMA 3R rated


**MD1050S**
**MG1050S**

**MD1250S**
**MG1250S**

**5839-5WRTR to 5839-7WRTR**

**5874-5S to 5874-6S**

**MK1250S, WH**

CATALOG #	DESCRIPTION	COLOR	PKG. TYPE	STD. PKG.	BARCODE
<b>Receptacle / Flip Cover Combos</b>					
MD1050S	Hubbell WR/TR 15A GFCI Duplex/ Vertical/Horizontal Flip Cover Combo	Gray	Shrink	8	
MG1050S	Hubbell WR/TR 15A Self Test GFCI / Vertical/Horizontal Flip Cover Combo	Gray	Shrink	6	
MD1250S	Hubbell WR/TR 15A GFCI Duplex / Horizontal/Vertical Flip Cover Combo	Gray	Shrink	8	
MG1250S	Hubbell WR/TR 15A Self Test GFCI / Horizontal/Vertical Flip Cover Combo	Gray	Shrink	6	
<b>Complete Flip Cover Kits</b>					
5839-5WRTR	Flip Cover, WR/TR Duplex, GFCI	Gray	Box	4	
5839-6WRTR	Flip Cover, WR/TR Duplex, GFCI	White	Box	4	
5839-7WRTR	Flip Cover, WR/TR Duplex, GFCI	Bronze	Box	4	
5874-5S	Self Test GFCI	Gray	Box	4	
5874-6S	Self Test GFCI	White	Box	4	
MK1250S	GFCI Duplex	Gray	Clamshell	4	
MK1250WH	Duplex	White	Clamshell	4	

**METAL BOX COVERS**

**5173-0 to 5173-7**
**5173-1**
**5173-2**
**5174-0**

**5175-0 to 5175-5**
**5177-0**

CATALOG #	DESCRIPTION	COLOR	PKG. TYPE	STD. PKG.	BARCODE
<b>1-Gang Blank Covers - Device Mount</b>					
5173-0	Blank Cover	Gray	Shrink	50	
5173-1	Blank Cover	White	Shrink	50	
5173-2	Blank Cover	Bronze	Shrink	50	
5173-5	Blank Cover	Gray	Carded	12	
5173-6	Blank Cover	White	Carded	12	
5173-7	Blank Cover	Bronze	Carded	12	
<b>1-Gang Blank Covers - Box Mount</b>					
5174-0	Blank Cover	Gray	Shrink	50	
<b>2-Gang Blank Covers - Device Mount</b>					
5175-0	Blank Cover	Gray	Shrink	25	
5175-1	Blank Cover	White	Shrink	25	
5175-2	Blank Cover	Bronze	Shrink	25	
5175-5	Blank Cover	Gray	Carded	6	
<b>3-Gang Blank Covers - Box Mount</b>					
5177-0	Blank Cover	Gray	Boxed	10	

**APPLICATION**

- For use whenever weatherproof protection is required for a weatherproof box

**PRODUCT FEATURES**

- Rugged metallic construction
- Durable powder coat finish provides maximum weatherability and scratch-resistance

**COMPLIANCES**

- ULus – File E195978
- NEC® Compliant
- NEMA 3R Rated

**ROUND BOX COVERS**

**5374-0**
**5374-1**
**5374-2**

CATALOG #	DESCRIPTION	COLOR	PKG. TYPE	STD. PKG.	BARCODE
<b>4" Round Cover</b>					
5374-0	Round, Blank Cover	Gray	Shrink	30	
5374-1	Round, Blank Cover	White	Shrink	20	
5374-2	Round, Blank Cover	Bronze	Shrink	20	

**APPLICATION**

- For use with 4" round splice boxes

**PRODUCT FEATURES**

- Rugged metallic construction
- Durable powder coat finish
- Includes installation hardware, gasket and multilingual instructions

**COMPLIANCES**

- UL – File E195978
- NEC® Compliant
- NEMA 3R Rated

METAL ROCKER SWITCH COVERS

METAL TOGGLE SWITCH COVERS

METAL DECORATOR SWITCH COVERS

APPLICATION

- A convenient and stylish switch for BBQ island, patio, deck, exterior walls, pool and spa and more

PRODUCT FEATURES

- Convenient on/off rocker switch
- Internal elastomer membrane
- Compatible with single pole or 3-way decorator switches

COMPLIANCES

- cUL<sub>us</sub> – File E116141
- NEC® Compliant
- NEMA 3R Rated



5122-0\*



5123-0



5123-1



5123-2



5127-0



5127-1



5127-2



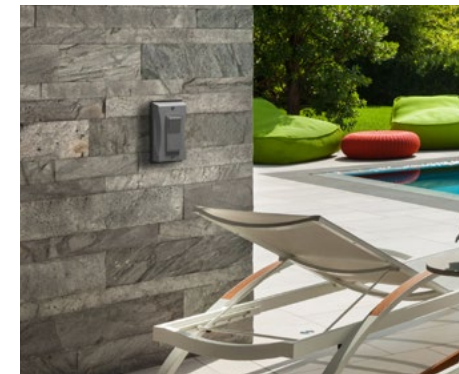
5129-0



5129-1



5129-2



CATALOG #	DESCRIPTION	COLOR	PKG. TYPE	STD. PKG.	BARCODE
<b>Weatherproof Decorator Switch Covers</b>					
5122-0	Weatherproof Decorator Switch Cover and Switch*	Gray	Clamshell	6	
5123-0	Weatherproof Decorator Switch Cover	Gray	Shrink	10	
5123-1	Weatherproof Decorator Switch Cover	White	Shrink	10	
5123-2	Weatherproof Decorator Switch Cover	Bronze	Shrink	10	
5127-0	2-Gang Weatherproof Decorator Switch Cover	Gray	Shrink	6	
5127-1	2-Gang Weatherproof Decorator Switch Cover	White	Shrink	6	
5127-2	2-Gang Weatherproof Decorator Switch Cover	Bronze	Shrink	6	
5129-0	3-Gang Weatherproof Decorator Switch Cover	Gray	Shrink	2	
5129-1	3-Gang Weatherproof Decorator Switch Cover	White	Shrink	2	
5129-2	3-Gang Weatherproof Decorator Switch Cover	Bronze	Shrink	2	

\* 15A 120/277 VAC single pole decorator switch included.



5121-0 to 5121-5  
5141-0 to 5141-5  
5128-0, 5137-0



5124-0, 5124-5



5125-0



5167-0



5166-0WRTR to  
5166-5WRTR



5201-0



5126-0

APPLICATION

- For use whenever weatherproof protection is required for an “on-off” type switch

PRODUCT FEATURES

- Rugged metallic construction
- Durable powder coat finish provides maximum weatherability and scratch resistance.
- Includes installation hardware and multilingual instructions
- Most units supplied with switch(es) – no need to purchase separate components
- Switch/cover units are supplied with the switch unassembled to the cover

COMPLIANCES

- cUL – File E195978
- NEC® Compliant
- NEMA 3R Rated

CATALOG #	DESCRIPTION	COLOR	PKG. TYPE	STD. PKG.	BARCODE
<b>1-Gang Switch Covers – Vertical – Device Mounted</b>					
5121-0	SP 125V, 15A	Gray	Shrink	24	
5121-1	SP 125V, 15A	White	Shrink	24	
5121-2	SP 125V, 15A	Bronze	Shrink	24	
5121-5	SP 125V, 15A	Gray	Carded	6	
5141-0	3-Way 125V, 6A or 250V, 3A	Gray	Shrink	8	
5141-5	3-Way 125V, 6A or 250V, 3A	Gray	Carded	6	
5128-0	SP 120-277VAC, 20A	Gray	Shrink	20	
5137-0	DP 120-277VAC, 20A	Gray	Shrink	20	
<b>2-Gang Switch Covers – Device Mounted</b>					
5124-0	(2) SP 125V, 15A	Gray	Shrink	8	
5124-5	(1) SP & (1) 3-Way 125V, 15A Toggle switch	Gray	Carded	4	
5125-0	Cover only	Gray	Shrink	8	
5166-0WRTR	(1) SP 125V, 15A & (1) WR/TR Duplex Receptacle	Gray	Shrink	8	
5166-5WRTR	(1) SP 125V, 15A & (1) WR/TR Duplex Receptacle	Gray	Carded	4	
5167-0	2-Gang, Switch/GFCI Cover	Gray	Shrink	8	
<b>3-Gang Switch Cover – Device Mount</b>					
5126-0	(3) SP 125V, 15A	Gray	Boxed	1	
<b>Toggle Switch</b>					
5201-0	SP 125V, 15A Toggle switch	–	Polybag	10	

**DIE-CAST LAMPHOLDER/CLUSTER COVERS**
**DIE-CAST LAMPHOLDERS**
**APPLICATIONS**

- For use with BELL® 1-Gang rectangular or round weather-proof boxes
- Cluster covers provide an easy means of mounting BELL® lampholders and other accessories

**PRODUCT FEATURES**

- Rugged die-cast construction
- Durable powder coat finish provides maximum weatherability and scratch-resistance
- Includes installation hardware, gasket and multilingual instructions
- Three-hole covers are supplied with two closure plugs

**COMPLIANCES**

- – Standard 514A
- NEC® Compliant
- NEMA 3R Rated



CATALOG #	DESCRIPTION	COLOR	PKG. TYPE	STD. PKG.	BARCODE
<b>Rectangular Cluster Covers</b>					
5186-0	(1) 1/2" Outlet	Gray	Shrink	20	
5186-1	(1) 1/2" Outlet	White	Shrink	20	
5186-2	(1) 1/2" Outlet	Bronze	Shrink	20	
5186-5	(1) 1/2" Outlet	Gray	Carded	6	
5186-6	(1) 1/2" Outlet	White	Carded	6	
5186-7	(1) 1/2" Outlet	Bronze	Carded	6	
5189-0	(3) 1/2" Outlets	Gray	Shrink	20	
5189-1	(3) 1/2" Outlets	White	Shrink	20	
5189-2	(3) 1/2" Outlets	Bronze	Shrink	20	
5189-5	(3) 1/2" Outlets	Gray	Carded	6	
5189-6	(3) 1/2" Outlets	White	Carded	6	
5189-7	(3) 1/2" Outlets	Bronze	Carded	6	
<b>4" Round Cluster Covers</b>					
5193-0	(1) 1/2" Outlet	Gray	Shrink	20	
5193-1	(1) 1/2" Outlet	White	Shrink	20	
5193-2	(1) 1/2" Outlet	Bronze	Shrink	20	
5193-5	(1) 1/2" Outlet	Gray	Carded	6	
5193-6	(1) 1/2" Outlet	White	Carded	6	
5193-7	(1) 1/2" Outlet	Bronze	Carded	6	
5197-0	(3) 1/2" Outlets	Gray	Shrink	20	
5197-1	(3) 1/2" Outlets	White	Shrink	20	
5197-2	(3) 1/2" Outlets	Bronze	Shrink	20	
5197-5	(3) 1/2" Outlets	Gray	Carded	6	
5197-6	(3) 1/2" Outlets	White	Carded	6	
5197-7	(3) 1/2" Outlets	Bronze	Carded	6	



CATALOG #	DESCRIPTION	COLOR	PKG. TYPE	STD. PKG.	BARCODE
<b>Lampholders and Accessories for 75-150 Watt Par 38 Lamps</b>					
5606-0	Lampholder	Gray	Shrink	30	
5606-1	Lampholder	White	Shrink	30	
5606-2	Lampholder	Bronze	Shrink	30	
5606-5	Lampholder	Gray	Carded	6	
5606-6	Lampholder	White	Carded	6	
5606-7	Lampholder	Bronze	Carded	6	
5612-0	Lampholder w/gasket	Gray	Shrink	30	
5611-0	Outer gasket only, replacement gasket for 5612-0	–	Polybag	15	
<b>Architectural Lampholders for 75-150 Watt Par 38 Lamps</b>					
5613-0	Lampholder	Gray	Shrink	4	
5613-1	Lampholder	White	Shrink	4	
5613-2	Lampholder	Bronze	Shrink	4	

**APPLICATIONS**

- For outdoor or indoor lighting use
- For use with BELL® cluster covers and boxes

**PRODUCT FEATURES**

- Rugged metallic construction
- Durable powder coat finish provides maximum weatherability and scratch-resistance
- Locking swivel knuckle assures positive lamp positioning and provides pinpoint directional aiming
- Extra long wire leads for easy hook-up
- Each lampholder supplied with a porcelain socket, inside gasket, 1/2" locknut and multilingual instructions

**COMPLIANCES**

- – Standard 1598
- NEC® Compliant
- NEMA 3R Rated

**SWIVEL JOINT LAMPHOLDERS**


CATALOG #	DESCRIPTION	COLOR	PKG. TYPE	STD. PKG.	BARCODE
<b>120V Halogen Swivel Lampholder</b>					
LHS100S	75W Halogen Bulb Included (GY 8.6 TYPE 4)	Gray	Shrink	6	
LHS100W	75W Halogen Bulb Included (GY 8.6 TYPE 4)	White	Shrink	6	
LHS100Z	75W Halogen Bulb Included (GY 8.6 TYPE 4)	Bronze	Shrink	6	
<b>Traditional or CFL Swivel Lampholder</b>					
LTS100S	Uses Par 38 Bulb (150W Maximum, Not Included)	Gray	Shrink	10	
LTS100WH	Uses Par 38 Bulb (150W Maximum, Not Included)	White	Shrink	10	
LTS100Z	Uses Par 38 Bulb (150W Maximum, Not Included)	Bronze	Shrink	10	

**APPLICATION**

- For general outdoor lighting use in wet, damp or dry locations

**PRODUCT FEATURES**

- Superior commercial quality die-cast metal construction
- Premium powder coat finish
- LTS100 include porcelain sockets and external weatherproof gaskets. CFL compatible
- LHS uses halogen bulb which last up to 3 times longer and produce almost 50% more light as incandescent bulbs
- No-tool easy-mount feature
- Swivel joint for easy directional lighting

**COMPLIANCES**

- – File E310337
- NEC® Compliant
- NEMA 3R Rated

**DIE-CAST LED FLOODLIGHTS**
**METAL BULLET LAMPHOLDER AND PORTABLE LAMPHOLDERS**
**APPLICATION**

- Use to light outdoor hard-to-see areas for added convenience

**PRODUCT FEATURES**

- 85% less energy consumption (8W)
- 800 lumens (LL800 series) equal to a 60W incandescent
- Die-cast aluminum heads
- Swivel joint for easy light adjustment
- 120VAC 60Hz
- Long life - up to 50,000 hours

**COMPLIANCES**

- - NEC and NEMA 3R

**APPLICATION**

- Use to light outdoor hard-to-see areas for added convenience

**PRODUCT FEATURES**

- Commercial Grade
- 85% less energy consumption (13W)
- 1200 lumens (equal to 75W Incandescent)
- Die-cast aluminum heads
- Unique locking swivel joint for easy light adjustment
- 120/277VAC 50/60Hz
- Long life - up to 50,000 hours
- 6" lead wires

**COMPLIANCES**

- - NEC and NEMA 3R
- D1.C4.0 CERTIFIED

**LED SWIVEL FLOODLIGHTS**


CAT. #	DESCRIPTION	COLOR	PKG. TYPE	STD. PKG.	BAR-CODE
<b>LED Swivel Floodlight for Outdoor Use in Wet Locations</b>					
LL800S	Weatherproof LED Floodlight 8W/800 Lumen Warm White	Gray	Box	4	
LL800W	Weatherproof LED Floodlight 8W/800 Lumen Warm White	White	Box	4	
LL800Z	Weatherproof LED Floodlight 8W/800 Lumen Warm White	Bronze	Box	4	



CAT. #	DESCRIPTION	COLOR	PKG. TYPE	STD. PKG.	BAR-CODE
<b>LED Swivel Floodlight for Outdoor Use in Wet Locations</b>					
LL1200S	Weatherproof LED Floodlight 13W/1200 Lumen Warm White	Gray	Box	4	
LL1200W	Weatherproof LED Floodlight 13W/1200 Lumen Warm White	White	Box	4	
LL1200Z	Weatherproof LED Floodlight 13W/1200 Lumen Warm White	Bronze	Box	4	

**LED KIT WITH MOTION SENSOR SWITCH**


CATALOG #	DESCRIPTION	COLOR	PKG. TYPE	STD. PKG.	BARCODE
<b>Round Cover, Light and Motion Sensor Kit</b>					
5882-5	Weatherproof LED Flood Light Kit with Motion Sensor	Gray	Box	4	
5882-6	Weatherproof LED Flood Light Kit with Motion Sensor	White	Box	4	
5882-7	Weatherproof LED Flood Light Kit with Motion Sensor	Bronze	Box	4	


**APPLICATION**

- Use to light outdoor hard-to-see areas for added convenience

**PRODUCT FEATURES**

- Warm white LED flood lights (3000K) 2000 lumens 26W
- Die-cast aluminum heads and cover
- Multidirectional swivel joint for easy light adjustment
- 180° motion sensor with duration, sensitivity and photocell controls (See part number 5639-5 pg. D29)
- 2 additional 1/2" threaded openings with closure plug
- 120VAC
- Product Warranty: 5 years

**COMPLIANCES**

- - NEC and NEMA 3R



CATALOG #	DESCRIPTION	COLOR	PKG. TYPE	STD. PKG.	BARCODE
<b>Bullet Lampholders - for 75-150 Watt Par 38 and R-40 Lamps</b>					
5820-8	Lampholder	Green	Boxed	2	

**APPLICATION**

- For general outdoor lighting use
- Use with BELL® cluster covers and boxes

**PRODUCT FEATURES**

- Rugged die-cast
- Locking swivel knuckle
- Assure positive lamp positioning and provides pinpoint directional aiming
- Includes installation hardware and multilingual instructions

**COMPLIANCES**

- NEC® Compliant
- NEMA 3R rated

**PORTABLE LAMPHOLDERS**


CATALOG #	DESCRIPTION	COLOR	PKG. TYPE	STD. PKG.	BARCODE
<b>Portable Spike Lights</b>					
SPLED2Z	6.5 Watts Warm White LED 350 Lumens	Bronze	Box	4	
SPLED500Z	9 Watts Warm White LED 540 Lumens	Bronze	Box	4	
SL101B	Uses Par 38 Bulb (150W Maximum, Not Included)	Bronze	Clamshell	10	
5792-0	Spike, 6 ft. cord & plug	Gray	Polybag	12	

**APPLICATION**

- For general outdoor lighting use in wet, damp or dry locations

**PRODUCT FEATURES**

- Rugged die-cast construction
- Durable powder coat finish provides maximum weatherability and scratch-resistance
- Locking swivel knuckle assures positive lamp positioning and provides pin-point directional aiming
- SPLED2Z – Long lasting energy efficient 6.5 Watts/350 Lumens
- SPLED500Z – Multidirectional swivel joint/long life: 50,000 hours - energy efficient 9 Watts/540 Lumens

**COMPLIANCES**

- - File E310318 (SL101B/SPLED500Z)
- NEC® Compliant
- NEMA 3R rated

DIE-CAST LAMPHOLDER COMBINATIONS

LIGHT KITS

**APPLICATION**

- For use with BELL® 1-Gang rectangular or round weatherproof boxes

**PRODUCT FEATURES**

- Rugged metallic construction
- Durable powder coat finish provides maximum weatherability and scratch-resistance
- Each combination kit is a complete weatherproof installation – no need to purchase separate components
- Includes installation hardware, gasket and multilingual instructions

**COMPLIANCES**

- UL – File E225082
- NEC® Compliant
- NEMA 3R Rated



CATALOG #	DESCRIPTION	COLOR	PKG. TYPE	STD. PKG.	BARCODE
<b>Rectangular Cover – Combinations for 75-150 Watt Par 38 Lamps</b>					
5620-0	(1) Lampholder	Gray	Shrink	8	
5620-5	(1) Lampholder	Gray	Carded	4	
5621-0	(2) Lampholders	Gray	Shrink	8	
5621-5	(2) Lampholders	Gray	Carded	4	
5621-6	(2) Lampholders	White	Carded	4	
5621-7	(2) Lampholders	Bronze	Carded	4	
<b>4" Round Cover – Combinations for 75-150 Watt Par 38 Lamps</b>					
5624-0	(1) Lampholder	Gray	Shrink	8	
5624-1	(1) Lampholder	White	Shrink	8	
5624-2	(1) Lampholder	Bronze	Shrink	8	
5624-5	(1) Lampholder	Gray	Carded	4	
5624-6	(1) Lampholder	White	Carded	4	
5625-0	(2) Lampholders	Gray	Shrink	8	
5625-1	(2) Lampholders	White	Shrink	8	
5625-2	(2) Lampholders	Bronze	Shrink	8	
5625-5	(2) Lampholders	Gray	Carded	4	
5625-6	(2) Lampholders	White	Carded	4	
5625-7	(2) Lampholders	Bronze	Carded	4	

**APPLICATION**

- For general lighting use in wet, damp or dry locations

**PRODUCT FEATURES**

- Each kit is a complete weatherproof installation – no need to purchase separate components
- Each kit includes easy-to-follow multilingual instructions
- All kit components are described in the preceding pages

**COMPLIANCES**

- UL
- NEC® Compliant
- NEMA 3R Rated



CATALOG #	DESCRIPTION	COLOR	PKG. TYPE	STD. PKG.	BARCODE
<b>Rectangular Light Kits for 75-150 Watt Par 38 Lamps</b>					
5883-5	Box, cover, photocell & (2) lampholders	Gray	Boxed	4	
5883-6	Box, cover, photocell & (2) lampholders	White	Boxed	4	
5818-5	Box, cover & (2) lampholders	Gray	Boxed	4	
5818-6	Box, cover & (2) lampholders	White	Boxed	4	
<b>4" Round Light Kits for 75-150 Watt Par 38 Lamps</b>					
5829-5	Box, cover & (2) lampholders	Gray	Boxed	4	
5829-6	Box, cover & (2) lampholders	White	Boxed	4	
5841-5	Box, cover, photocell & (2) lampholders	Gray	Boxed	4	
5841-6	Box, cover, photocell & (2) lampholders	White	Boxed	4	
5876-5	Box, cover & (2) architectural lampholders	Gray	Boxed	4	
5876-6	Box, cover & (2) architectural lampholders	White	Boxed	4	
5876-7	Box, cover & (2) architectural lampholders	Bronze	Boxed	4	

METALLIC GARDEN LIGHTS

ACCESSORIES

**APPLICATION**

- For accent lighting along walkways, driveways, terraces, porches and garden areas

**PRODUCT FEATURES**

- Rugged die-cast construction
- Durable powder coat finish provides maximum weatherability and scratch-resistance
- Includes screw-in clear glass globe, wire connectors, gasket, and multilingual instructions
- Three-tier lights accept 40W maximum lamps
- Four-tier lights accept 60W maximum lamps

**COMPLIANCE**

- 



CATALOG #	DESCRIPTION	COLOR	PKG. TYPE	STD. PKG.	BARCODE
<b>Incandescent Type Threaded 1/2" Npt - 18" Leads</b>					
5884-8	3-Tier	Green	Box	2	
5893-8	4-Tier	Green	Box	2	
<b>Replacement Globes for Garden</b>					
5694-0	For 3-tier	Clear	Carton	4	
5695-0	For 4-tier	Clear	Carton	4	

MOTION SENSOR SWITCH



CATALOG #	DESCRIPTION	OUTER CTN. QTY.	STD. PKG.	BARCODE
<b>Motion Sensor Switch</b>				
5639-5	Weatherproof motion sensor switch, Gray	10	1	
5639-6	Weatherproof motion sensor switch, White	10	1	
5639-7	Weatherproof motion sensor switch, Bronze	10	1	

**APPLICATION**

- For use whenever outdoor motion detection is needed in unlit areas

**PRODUCT FEATURES**

- Swivel joint for easy aiming
- 180° motion sensor with duration, sensitivity and photocell controls
- Standard 1/2" threaded mount
- 120VAC

**COMPLIANCES**

- – NEC & NEMA 3R

PHOTOCELL



CATALOG #	DESCRIPTION	COLOR	PKG. TYPE	STD. PKG.	BARCODE
<b>Photoelectric Eye Switch</b>					
5638-5	Swivel Switch, locknut 2000W Tungsten 1800VA Ballast 120V 50-60HZ	Gray	Carded	6	
PE100	Outdoor Photoelectric Switch Rated 1000 Watts, Fits 1/2" Hole	Black	Poly Bag	10	

**APPLICATION**

- Use for darkness activated automatic control of night lighting from dusk to dawn
- Control porch lights, garden lights, post lanterns, barn lights, loading dock lights, outdoor signs etc.

**PRODUCT FEATURES**

- Durable weatherproof construction
- Built-in time delay prevents operation triggered by auto headlamps or other temporary light flashes

METAL CLOSURE PLUGS



5269-0 to 5269-10, 5270-0 to 5270-9, 5271-0

CATALOG #	DESCRIPTION	COLOR	PKG. TYPE	STD. PKG.	BARCODE
<b>Closure Plugs</b>					
5269-0	1/2" NPT	Gray	75 Polybags of 4	75 bags*	
5269-1	1/2" NPT	White	75 Polybags of 4	75 bags*	
5269-2	1/2" NPT	Bronze	75 Polybags of 4	75 bags*	
5269-5	1/2" NPT	Gray	12 Cards of 3	12 cards**	
5269-6	1/2" NPT	White	12 Cards of 3	12 cards**	
5269-7	1/2" NPT	Bronze	12 Cards of 3	12 cards**	
5269-9	1/2" NPT	Gray	Bulk	1000	–
5269-10	1/2" NPT	Bronze	Bulk	4500	–
5270-0	3/4" NPT	Gray	75 Polybags of 4	75 bags*	
5270-1	3/4" NPT	White	75 Polybags of 4	75 bags*	
5270-5	3/4" NPT	Gray	12 Cards of 3	12 cards**	
5270-9	3/4" NPT	Gray	Bulk	1000	–
5271-0	1" NPT	Gray	75 Polybags of 4	75 bags*	

**APPLICATION**

- For use with BELL® weatherproof boxes, extension adapters, cluster covers and round splice boxes to seal off unused outlets

**PRODUCT FEATURES**

- Gray closure plugs are die-cast zinc
- White and bronze closure plugs are nonmetallic

**COMPLIANCE**

- – File E195973

\*Order in standard package bag quantities only – not per piece  
 \*\*Order in standard package card quantities only – not per piece

**BOX MOUNTING LUGS**

CATALOG #	DESCRIPTION	COLOR	PKG. TYPE	STD. PKG.	BAR CODE
<b>Box Mounting Lugs &amp; Screws</b>					
5302-0	-	-	100 Polybags of 2	100	


**ROUND CLOSURE PLATES**
**APPLICATION**

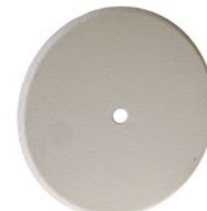
- Use in dry locations for closure of unused ceiling outlets

**PRODUCT FEATURES**

- Rugged metallic construction
- Durable powder coat paint finish provides a scratch-resistant surface

**COMPLIANCE**

- - File E195978



CATALOG #	DESCRIPTION	COLOR	PKG. TYPE	STD. PKG.	BAR CODE
<b>5" Round Closure Plates - Steel</b>					
5652-1	Screw & universal mount strap	Off White	Shrink	10	
5653-1	(2) 8 - 32 screws, direct mount to fixture outlet box	Off White	Shrink	10	
5654-1	Fixture stud & universal mount strap	Off White	Shrink	10	

**REPLACEMENT GASKETS**
**APPLICATION**

- Replacement gaskets for BELL® weatherproof covers and lampholders

**PRODUCT FEATURES**

- Each gasket has cut outs for a toggle switch, duplex (5020-0 only) receptacle and 1.406" dia. round receptacle
- Remove cut outs for the duplex (5020-0 only) and round receptacles for a GFCI receptacle opening



CATALOG #	DESCRIPTION	COLOR	PKG. TYPE	STD. PKG.	BARCODE
<b>Rectangular Box/Cover Gaskets</b>					
5019-0	1-Gang	Black	20 Cello bags of 2	20	
5017-0	1-Gang cover gasket, 4 Lampholder gaskets, 1 Round cover gasket	Black	20 Cello bags	20	
5020-0	2-Gang	Black	20 Cello bags of 2	20	

**OUTDOOR CEILING FAN & LUMINAIRE BOXES**


**Safe & Secure**  
with a properly rated box!


**APPLICATIONS**

- Provides a safe and secure mounting and weatherproof wiring junction for outdoor fans, chandeliers or pendant lights
- Designed to enhance outdoor living spaces with the same convenience and comfort as indoors
- Perfect for porches, covered patios, pergolas

**PRODUCT FEATURES**

- Support fans up to **70lbs** or heavy luminaires up to **150lbs**
- Constructed of heavy duty PVC with integrated galvanized steel support bracket
- Five 3/4" threaded entries for conduit or fittings with four closure plugs
- Includes three reducer bushings (3/4" to 1/2")
- Box mounts parallel, perpendicular or 45° from a joist

**COMPLIANCES**

- Listed
- NEC and NEMA 3R Compliant

**Outdoor Comforts™**  
Enhance Your Outdoor Space!

CATALOG #	DESCRIPTION	CU. IN. CAPACITY (when used w/collar)	THREADED ENTRIES	RECOMMENDED MAX. LOADS		STD. PKG.	BARCODE
				CEILING FAN (DYNAMIC) LBS.	FIXTURE (STATIC) LBS.		
<b>4" Nonmetallic Outdoor Round Box, 1-1/2" Deep - Heavy Duty PVC w/Integrated Galvanized Steel Support Bracket</b>							
PRCF57550GY	Ceiling Fan Luminaire Box, Gray	16.0"	(5) 3/4" or 1/2"	70	150	4	
PRCF57550WH	Ceiling Fan Luminaire Box, White	16.0"	(5) 3/4" or 1/2"	70	150	4	
PRCF57550BZ	Ceiling Fan Luminaire Box, Bronze	16.0"	(5) 3/4" or 1/2"	70	150	4	



**NONMETALLIC BOXES**
**NONMETALLIC COVERS**
**OUTLET BOXES**
**APPLICATION**

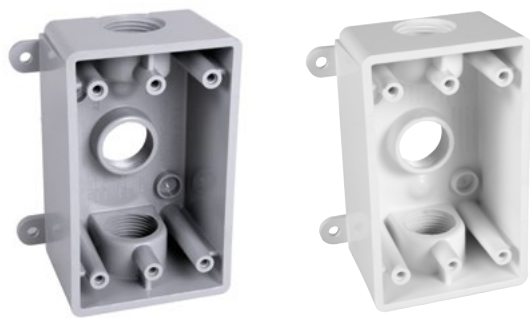
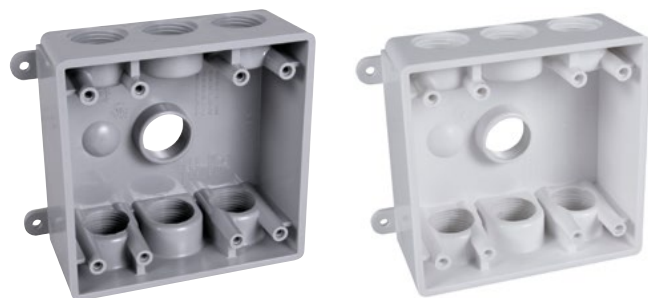
- For general use whenever weatherproof protection is required

**PRODUCT FEATURES**

- Durable high impact PVC construction
- Can be used for 1/2" and 3/4" conduit
- Includes 3/4" closure plugs and reducer bushings

**COMPLIANCES**

- UL Marine Listed
- Meets NEC® 406.9 (A) Requirements
- NEMA 3R Rated


**PSB37550GY**
**PSB37550WH**

**PDB77550GY**
**PDB77550WH**

**PRB57550GY**
**PRB57550WH**


CATALOG #	DESCRIPTION	CU. IN. (CM <sup>3</sup> )	COLOR	PKG. TYPE	STD. PKG.	BARCODE
<b>1-Gang Outlet Boxes, Three Threaded Outlets</b>						
PSB37550GY	Three 1/2" or 3/4" Holes 2.0" Depth	16.5 (270.4)	Gray	Shrink	8	
PSB37550WH	Three 1/2" or 3/4" Holes 2.0" Depth	16.5 (270.4)	White	Shrink	5	
<b>2-Gang Outlet Boxes, Seven Threaded Outlets</b>						
PDB77550GY	Seven 1/2" or 3/4" Holes 2.0" Depth	26.5 (434.3)	Gray	Shrink	6	
PDB77550WH	Seven 1/2" or 3/4" Holes 2.0" Depth	26.5 (434.3)	White	Shrink	6	
<b>Round Outlet Box, Five Threaded Outlets</b>						
PRB57550GY	Five 1/2" / 3/4" Holes 1.5" Depth	13.5 (221.2)	Gray	Shrink	8	
PRB57550WH	Five 1/2" / 3/4" Holes 1.5" Depth	13.5 (221.2)	White	Shrink	8	

**BLANK COVERS**

**PBC100GY**
**PBC100WH**
**PBC200GY**
**PBC200WH**

**PBC300GY**

**PBC300WH**
**APPLICATION**

- For general use whenever weatherproof protection is required

**PRODUCT FEATURES**

- Durable high impact polycarbonate construction
- Includes attached gasket and mounting hardware

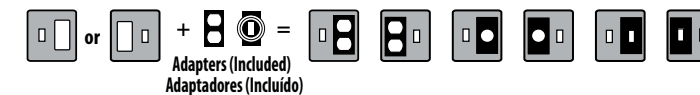
**COMPLIANCES**

- UL
- NEC® Compliant
- NEMA 3R Rated

CATALOG #	DESCRIPTION	COLOR	PKG. TYPE	STD. PKG.	BARCODE
<b>Blank Covers</b>					
PBC100GY	Blank	Gray	Shrink	12	
PBC100WH	Blank	White	Shrink	12	
PBC200GY	Blank 2-Gang	Gray	Shrink	10	
PBC200WH	Blank 2-Gang	White	Shrink	10	
PBC300GY	Blank Round	Gray	Shrink	10	
PBC300WH	Blank Round	White	Shrink	10	

**TOGGLE / DEVICE COVERS**
*Horseshoe Adapter Ensures a Snug Fit for Small and Large Head Switches*

**PTC100GY**
**PTC100WH**
**PTC200GY**
**PTC521GY**
**PTC521WH**

**8 in 1 CONFIGURATIONS**


CATALOG #	DESCRIPTION	COLOR	PKG. TYPE	STD. PKG.	BARCODE
<b>1-Gang Device Covers</b>					
PTC100GY	Toggle	Gray	Shrink	5	
PTC100WH	Toggle	White	Shrink	3	
<b>2-Gang Device Covers</b>					
PTC200GY	Toggle/Toggle	Gray	Shrink	3	
PTC521GY	Toggle/GFCI	Gray	Shrink	3	
PTC521WH	Toggle/GFCI	White	Shrink	4	

NONMETALLIC LIGHTING

NONMETALLIC ACCESSORIES

LAMP HOLDERS

APPLICATION

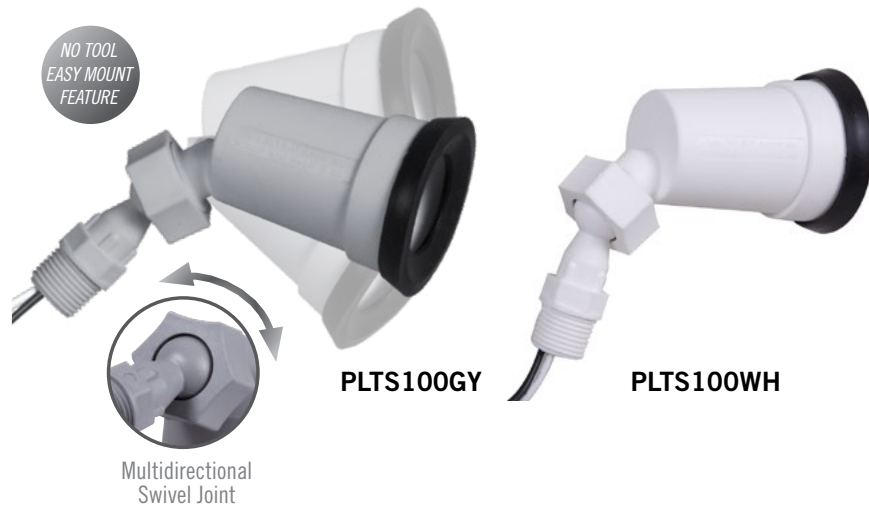
- For general outdoor lighting use in wet, damp or dry locations

PRODUCT FEATURES

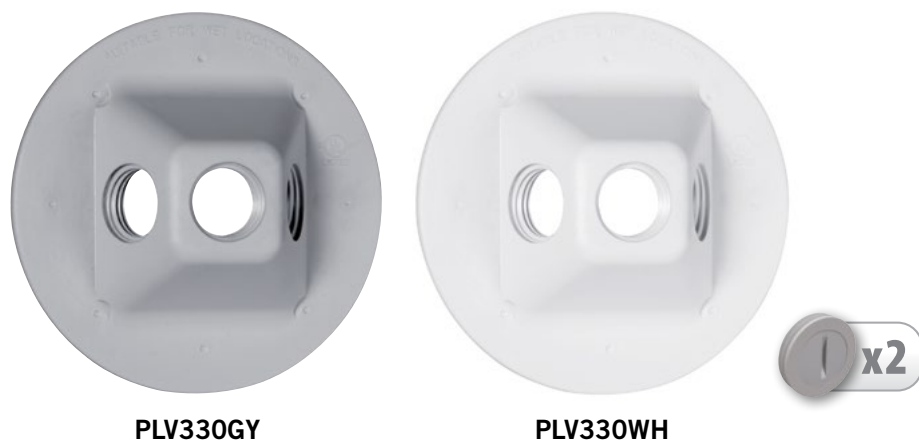
- Durable high impact PBT construction
- Includes attached gasket and mounting hardware

COMPLIANCES

- cULus
- NEC® Compliant
- NEMA 3R Rated

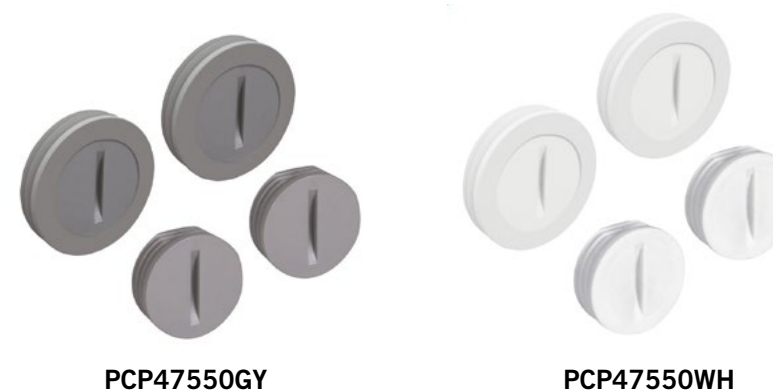


LAMP HOLDER COVERS

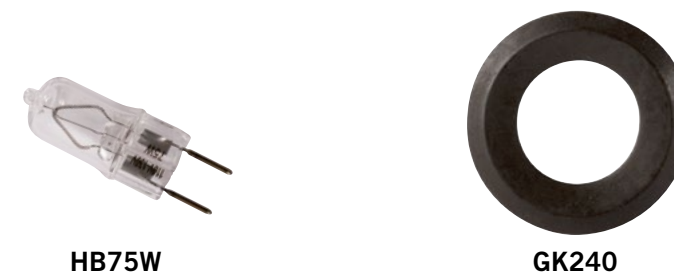


CATALOG #	DESCRIPTION	COLOR	PKG. TYPE	STD. PKG.	BARCODE
<b>Lamp holders</b>					
PLTS100GY	Swivel Lampholder	Gray	Shrink	12	
PLTS100WH	Swivel Lampholder	White	Shrink	12	
<b>Lamp holder Covers</b>					
PLV330GY	Three 1/2" Holes	Gray	Shrink	8	
PLV330WH	Three 1/2" Holes	White	Shrink	8	

NONMETALLIC CLOSURE PLUGS



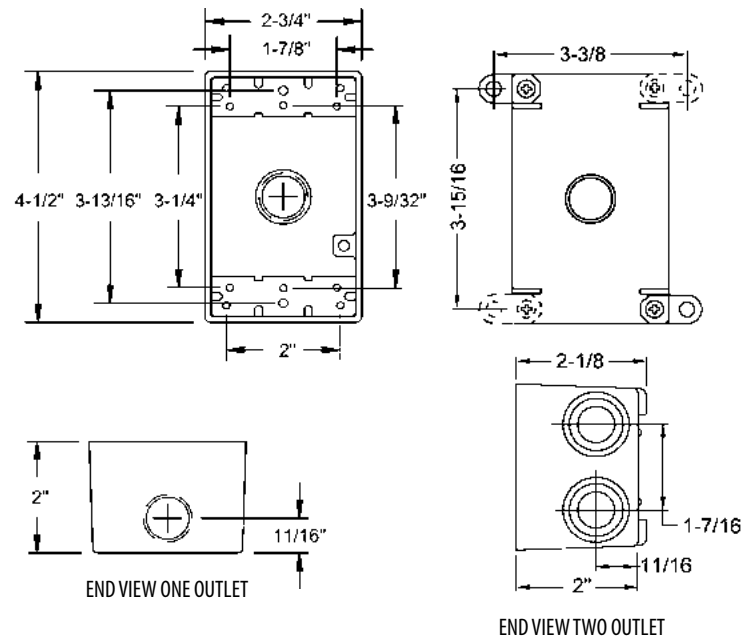
CATALOG #	DESCRIPTION	COLOR	PKG. TYPE	STD. PKG.	BAR CODE
<b>Closure Plug Assortment (Pack of 4)</b>					
PCP47550GY	Two 1/2", Two 3/4"	Gray	Poly Bag	30	
PCP47550WH	Two 1/2", Two 3/4"	White	Poly Bag	30	



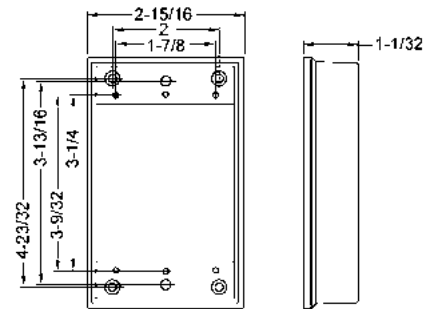
CATALOG #	DESCRIPTION	COLOR	PKG. TYPE	STD. PKG.	BAR CODE
<b>Gaskets</b>					
GK240	Bag of 2 Lampholder Gaskets	Black	Poly Bag	15	
<b>Halogen Replacement Bulbs</b>					
HB75W	75W Halogen Bulb (GY 8.6 Type 4)	Clear	Poly Bag	100	

DIE-CAST ALUMINUM BOXES AND EXTENSION RINGS

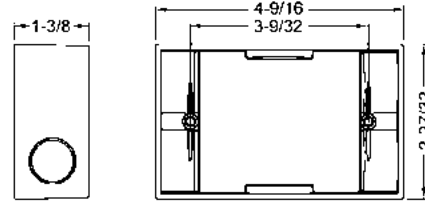
1-GANG BOXES (General Dimensions)



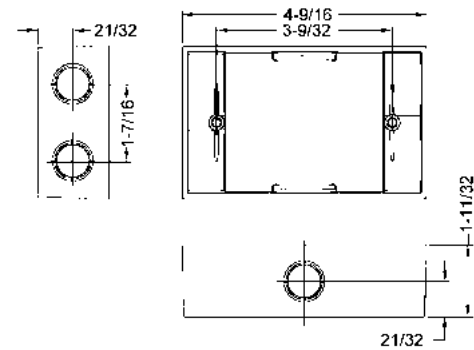
EXTENSIONS: 5406-0



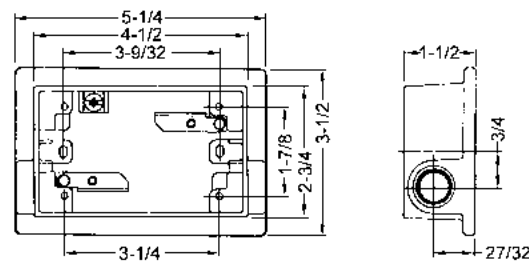
EXTENSIONS: 5399-0, 5403-0



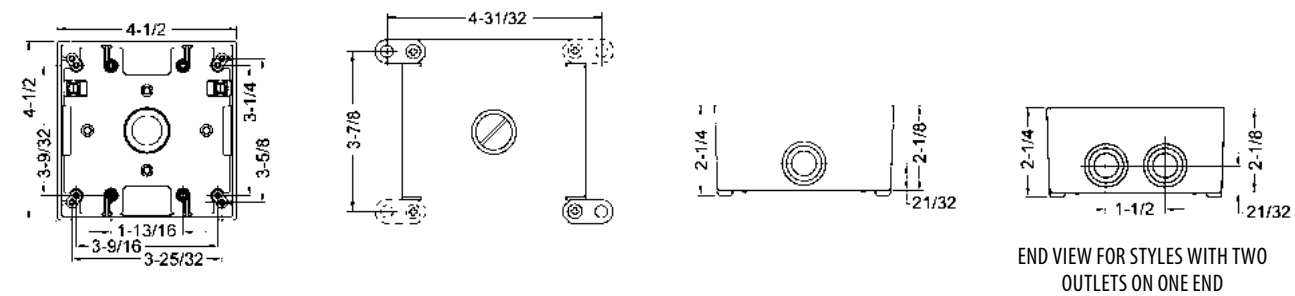
EXTENSIONS: 5400-0 SERIES



SWING ARM EXTENSION ADAPTERS: 5412-0 TO 5415-0

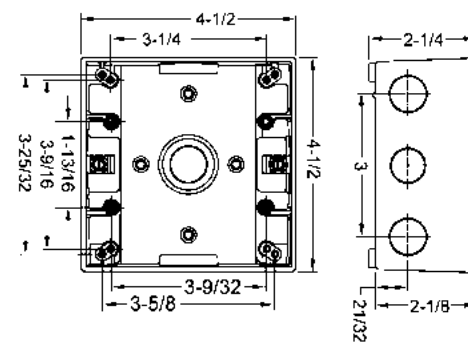


2-GANG BOXES (General Dimensions)

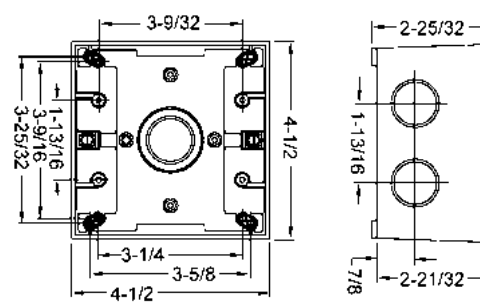


END VIEW FOR STYLES WITH TWO OUTLETS ON ONE END

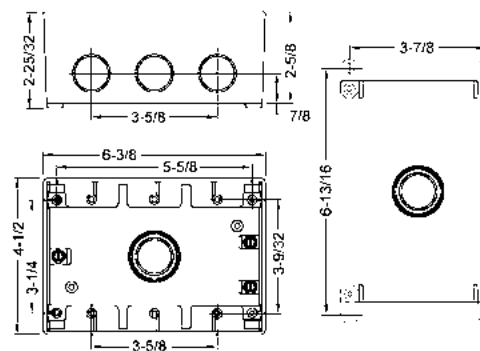
2-GANG BOXES WITH 7 OUTLETS  
CAT. NOs. 5340-0, 5348-0



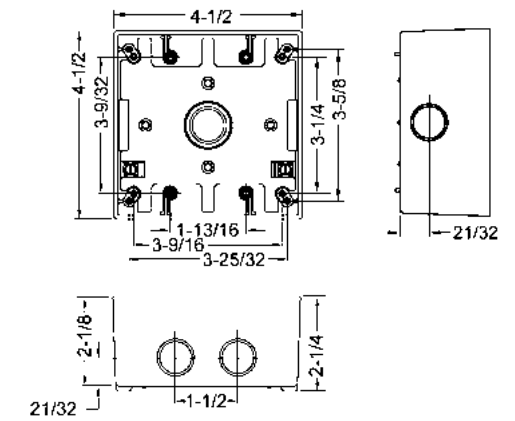
2-GANG BOXES WITH 5 OUTLETS  
CAT. NOs. 5388-0, 5389-0



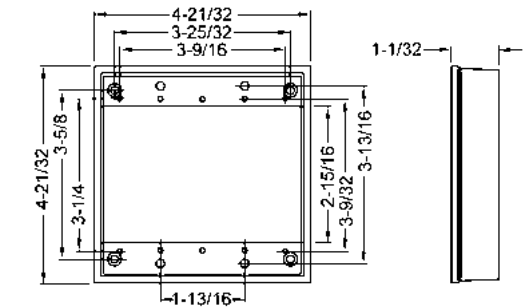
3-GANG BOX



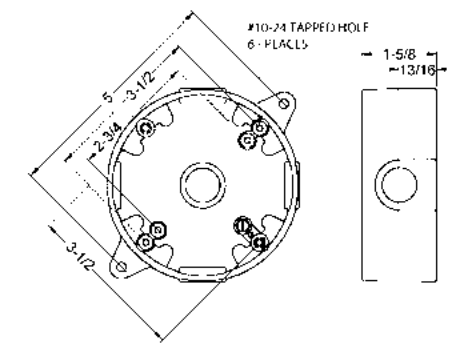
CAT. NOs. 5338-0, 5346-0



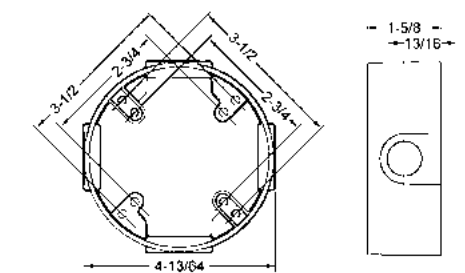
2-GANG EXTENSION



4" ROUND SPLICE BOXES

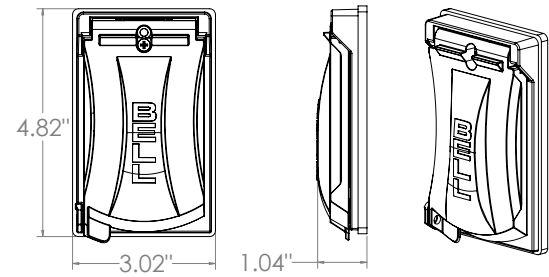


4" ROUND EXTENSION ADAPTERs

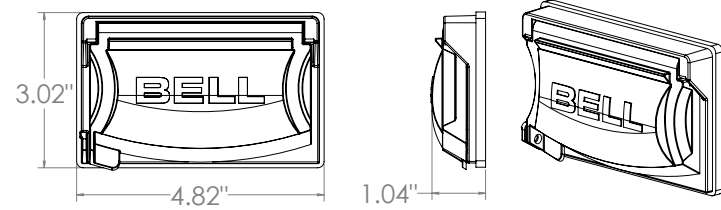


METALLIC 1-GANG DEVICE COVERS

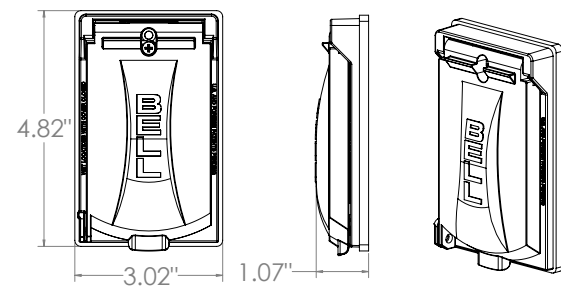
MX1050



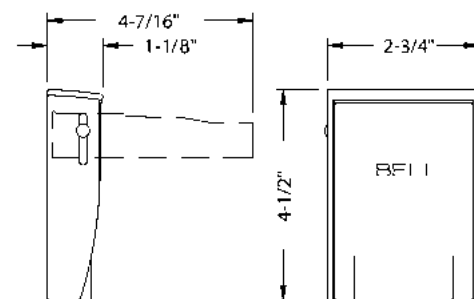
MX1250



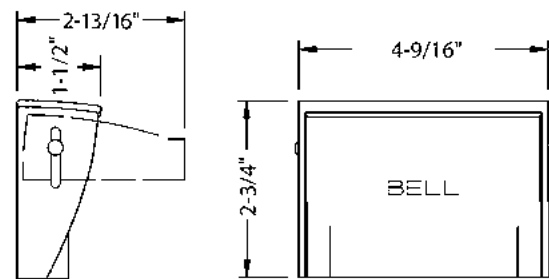
MX1550



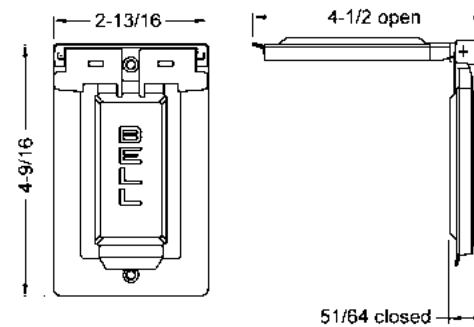
RAYNTITE® 1-GANG DEVICE COVERS – VERTICAL



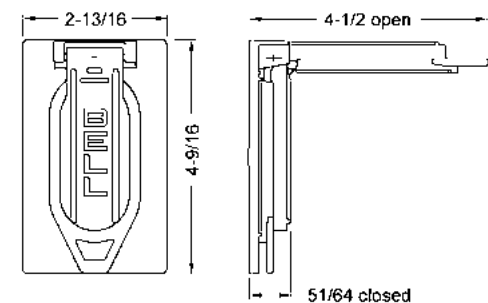
RAYNTITE® 1-GANG DEVICE COVERS – HORIZONTAL



GFCI STYLE COVERS

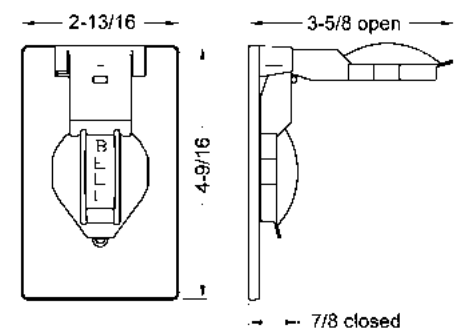


DUPLEX STYLE COVER

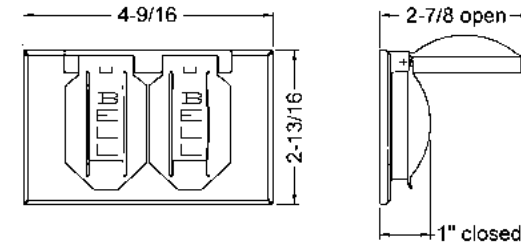


SINGLE RECEPTACLE STYLE COVERS

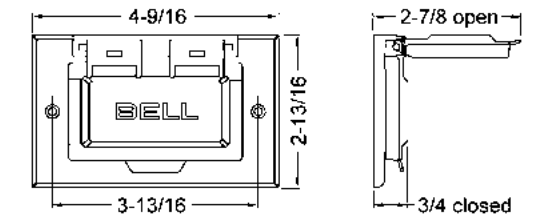
Note: device-mount and box-mount cover dimensions are the same



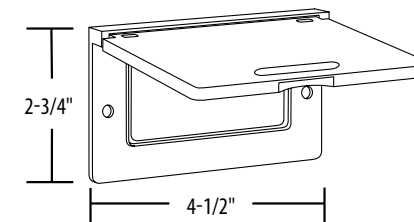
CAT. NOs. 5180-0 SERIES



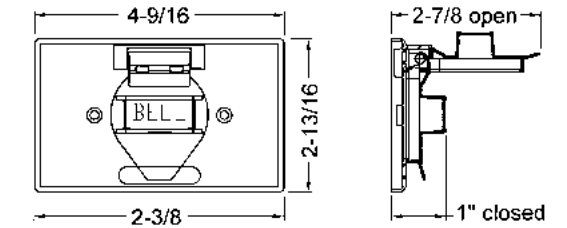
CAT. NO. 5101-0 series



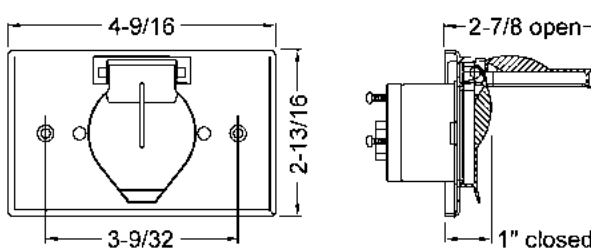
CAT. NO. 5102-0



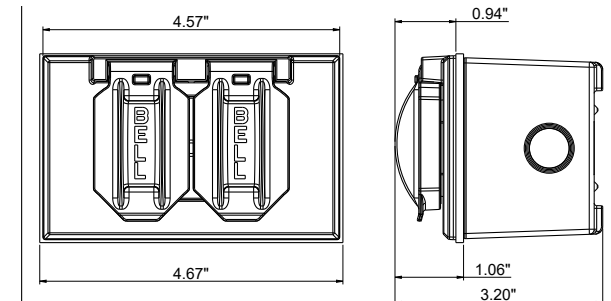
CAT. NO. 5152-0



CAT. NO. 5153-0

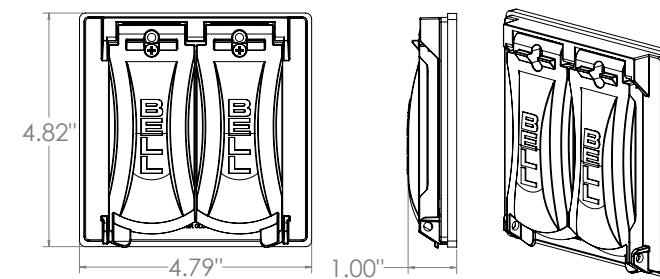


CAT. NO. 5712-5WRTR

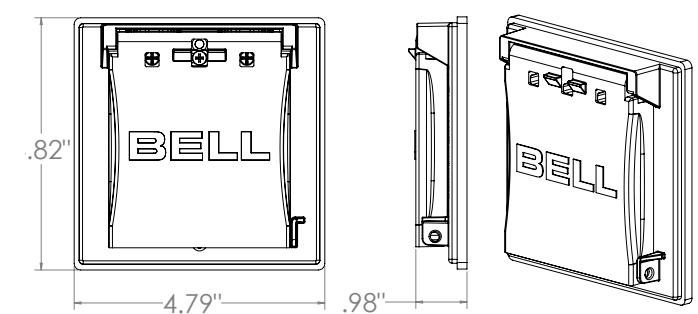


METALLIC 2-GANG DEVICE COVERS

MX2050

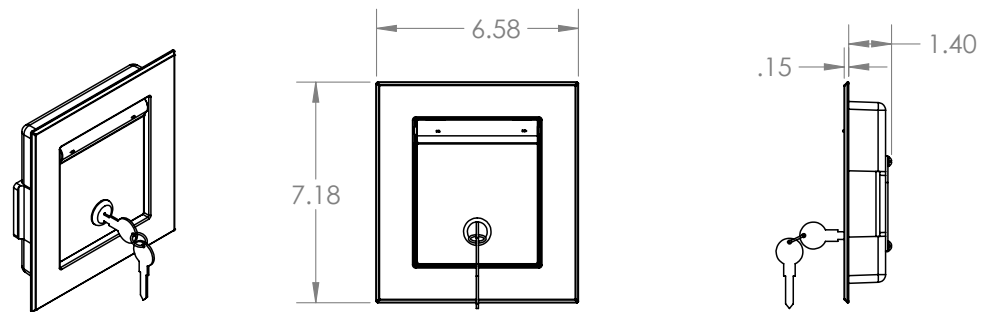


MX2150



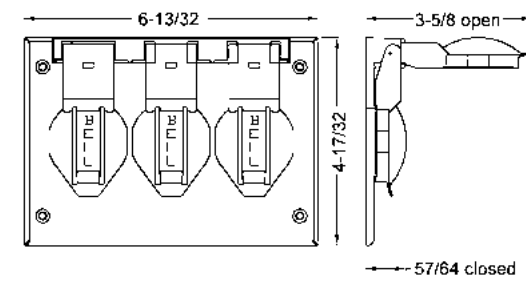
4600RAC

METALLIC 1-GANG LOCKING COVER



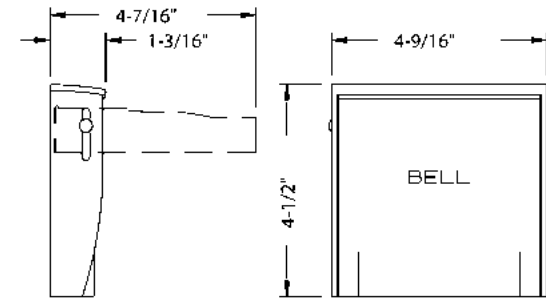
BOX MOUNT FLIP COVER

5093-0

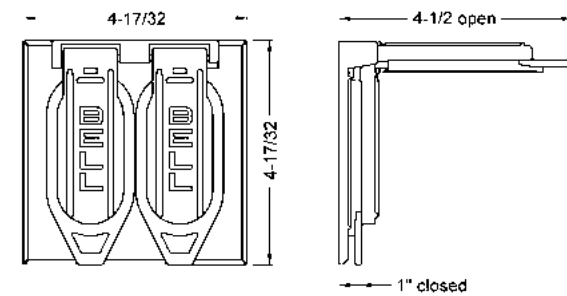


METALLIC 2-GANG DEVICE COVERS

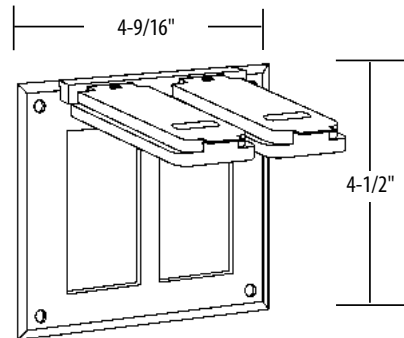
RAYNTITE®



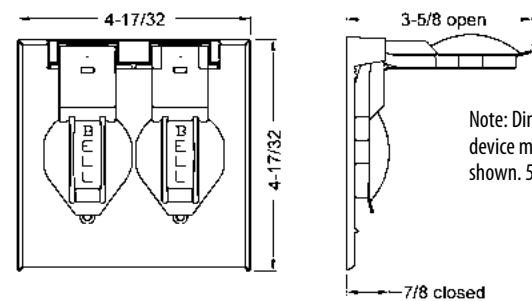
2-GANG DEVICE COVERS  
5148-0 SERIES



5145-0



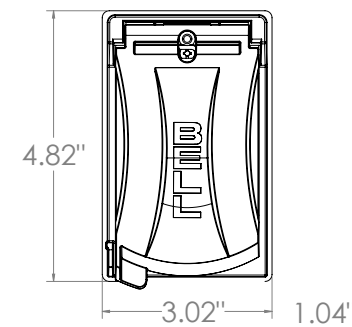
5157-0



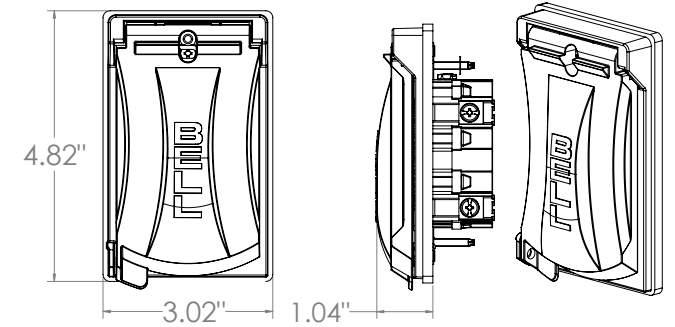
Note: Dimensions are the same for device mount and box mount styles shown. 5157-0 SERIES, 5092-0

FLIP COVER COMBOS AND KITS

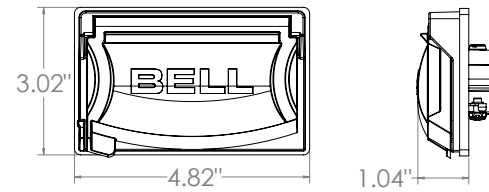
MD1050S



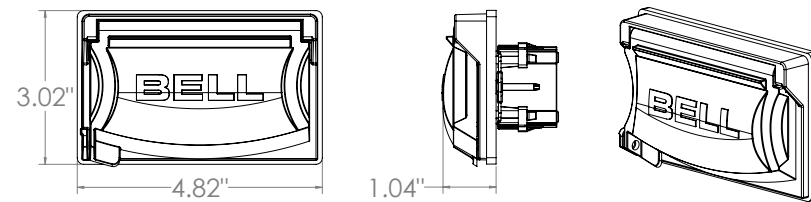
MG1050S



MD1250S

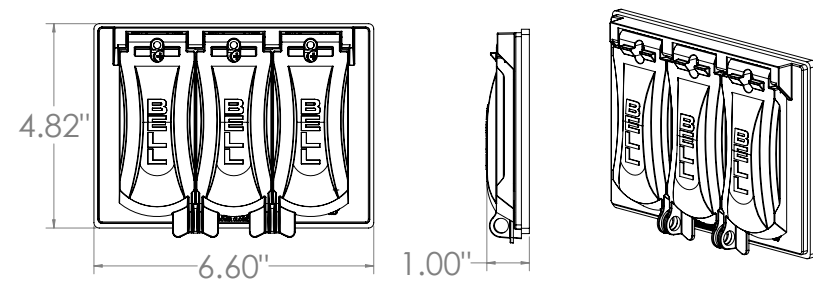


MG1250S

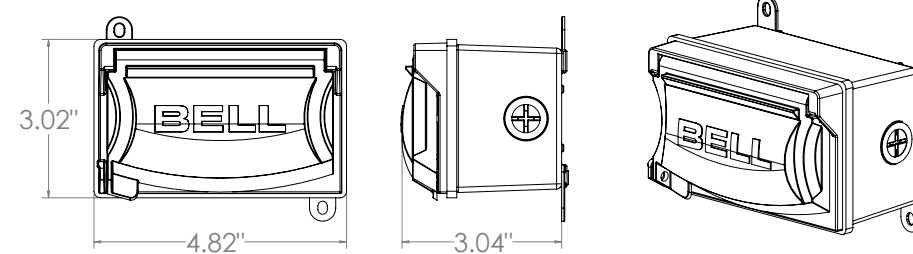


METAL 3-GANG DEVICE COVERS

MX3050

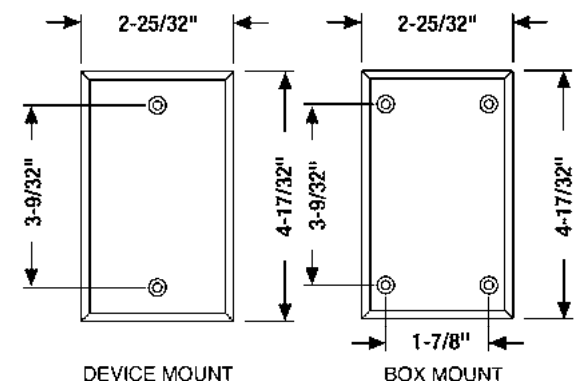


MK1250, 5874-5, 5874-6

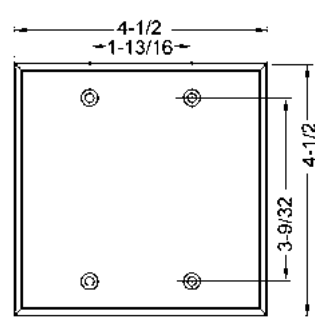


METAL COVERS

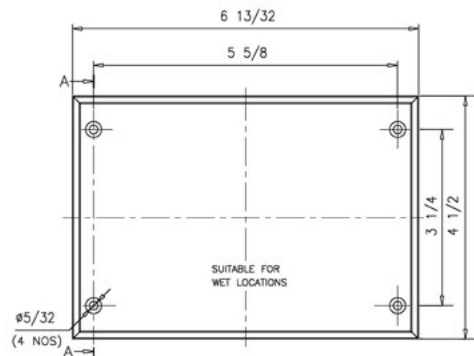
1-GANG BLANK COVERS



2-GANG

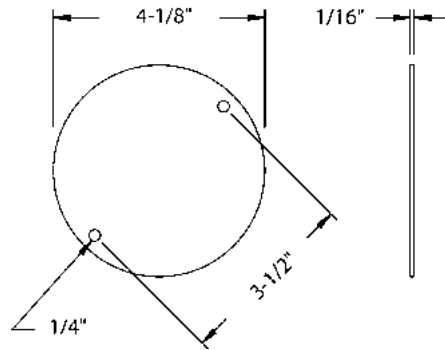


3-GANG



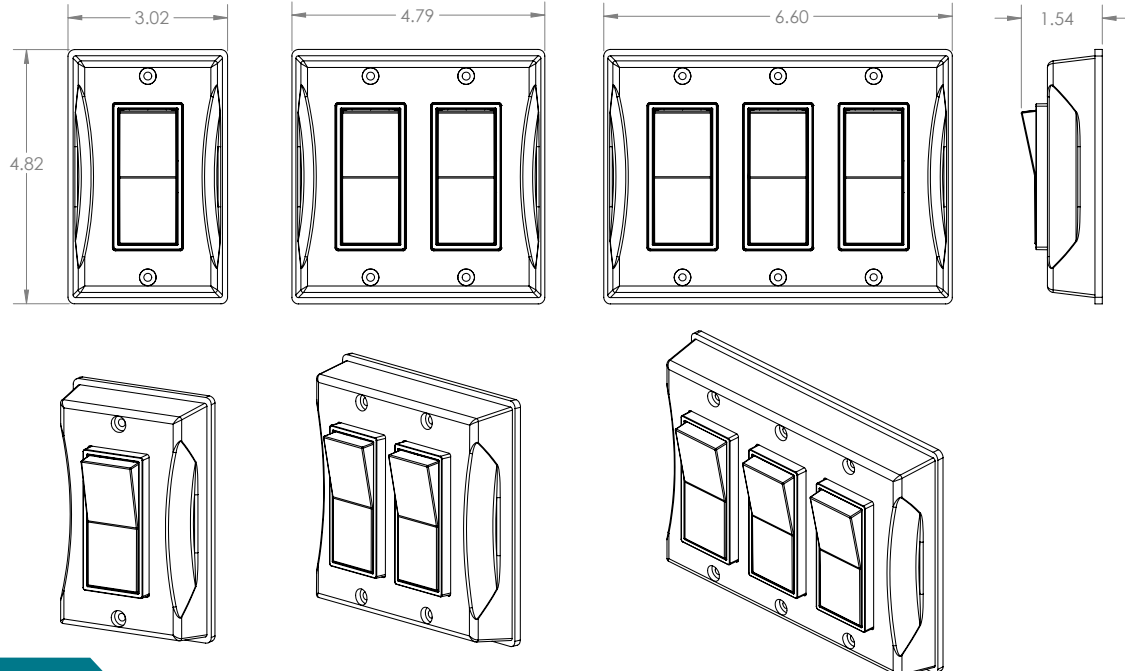
METALLIC ROUND BOX COVER

4" ROUND COVER



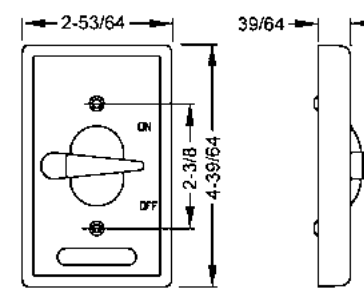
METAL ROCKER SWITCH COVERS

DECORATOR COVER SERIES

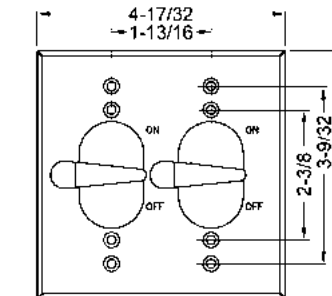


METALLIC TOGGLE SWITCH COVERS

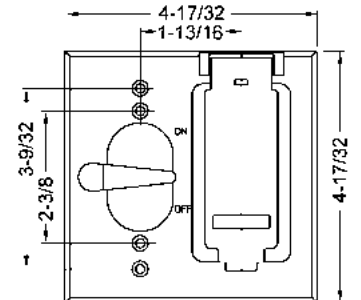
1-GANG  
5121 SERIES, 5141 SERIES  
CAT. NOS. 5128-0, 5137-0



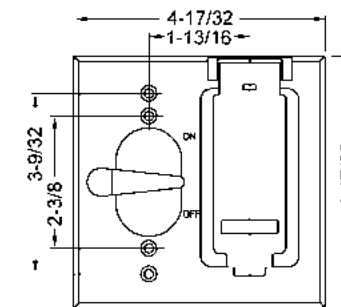
2-GANG  
CAT. NO. 5124-0, 5125 SERIES



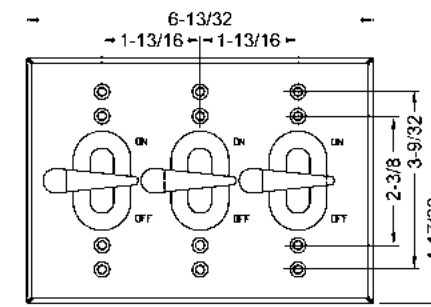
2-GANG 5167 SERIES



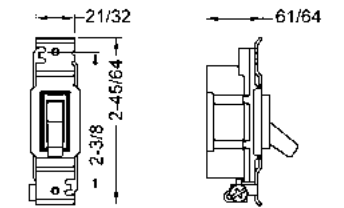
2-GANG 5166 SERIES



3-GANG  
CATALOG NO. 5126-0

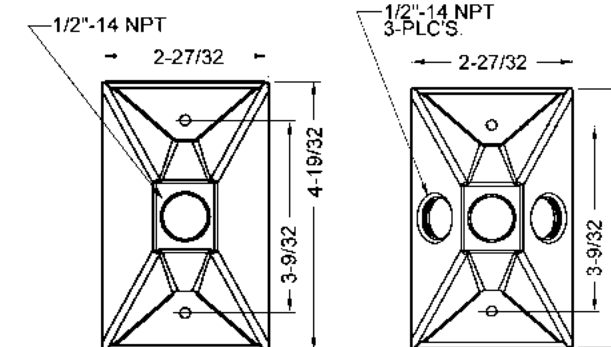


TOGGLE SWITCH  
CATALOG NOS. 5201-0

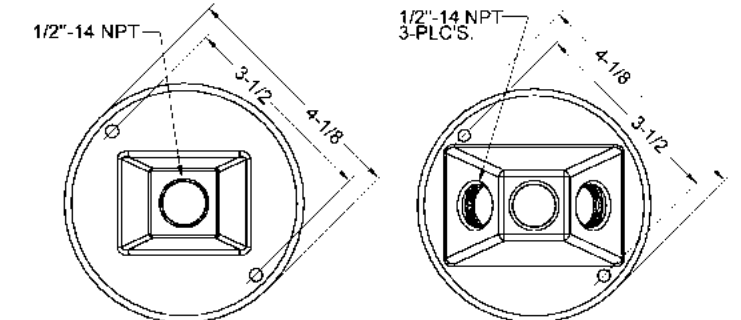


METALLIC LAMPHOLDER COVERS

RECTANGULAR CLUSTER COVERS  
5186 SERIES, 5189 SERIES



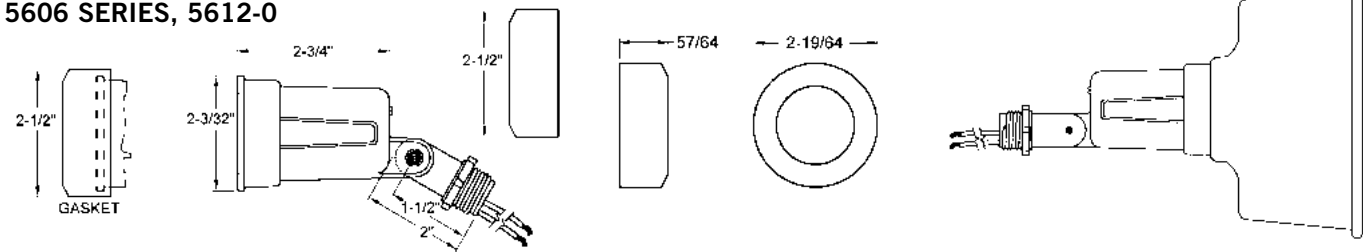
ROUND CLUSTER COVERS  
5193 SERIES, 5197 SERIES



METALLIC LAMPHOLDERS AND LIGHTING

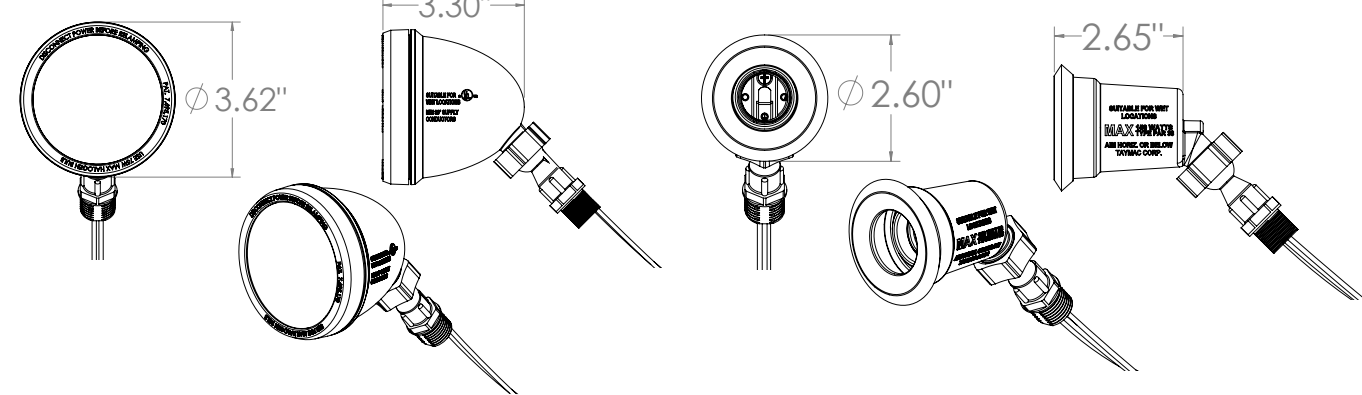
LAMPHOLDERS  
5606 SERIES, 5612-0

CATALOG NO. 5611-0 5613 SERIES



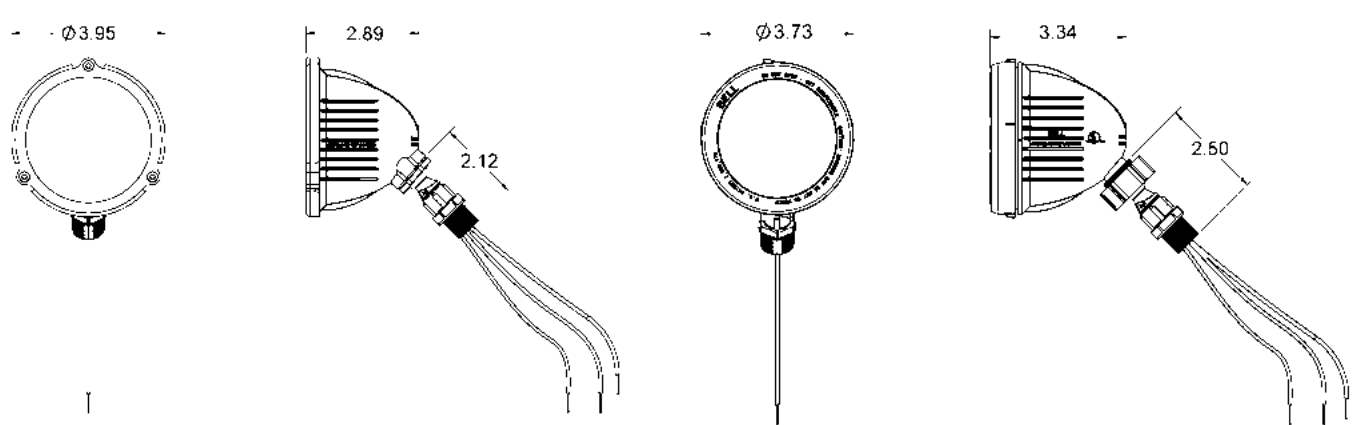
LHS100

LTS100



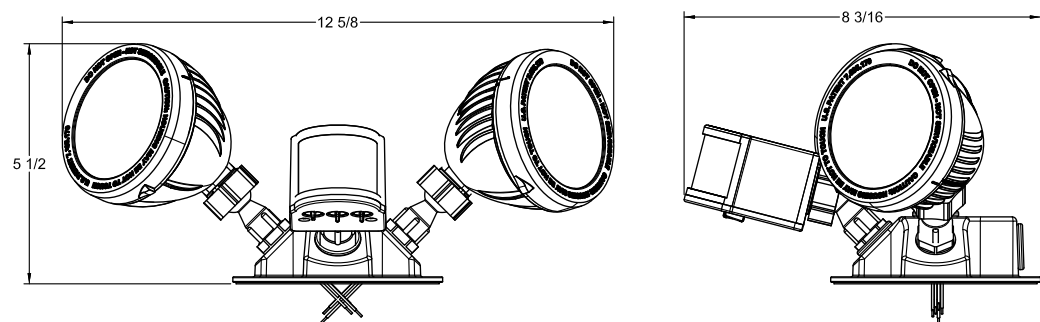
LL800

LL1200



LED KIT WITH MOTION SENSOR SWITCH

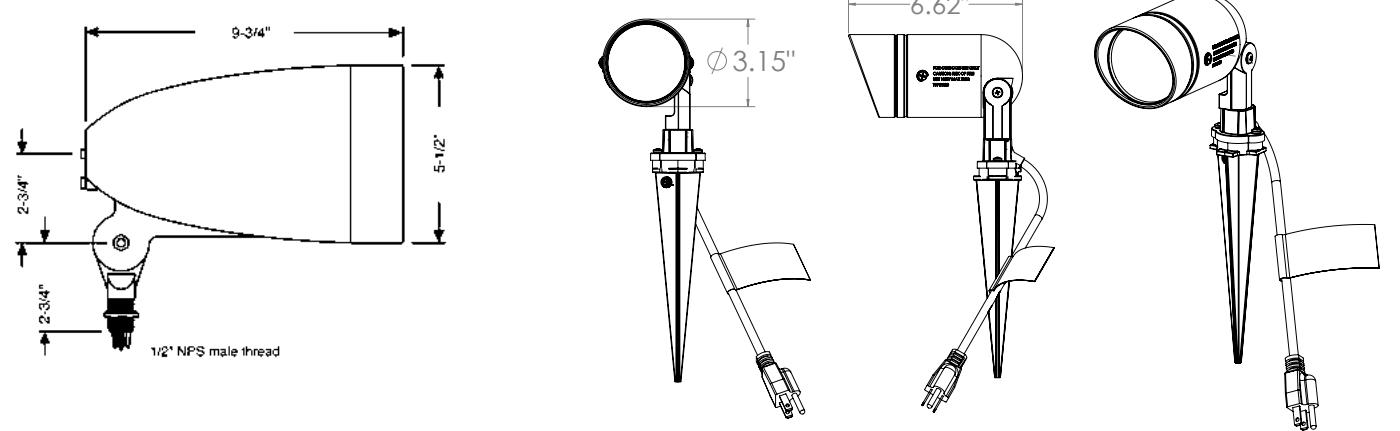
5882



METALLIC PORTABLE LAMPHOLDERS

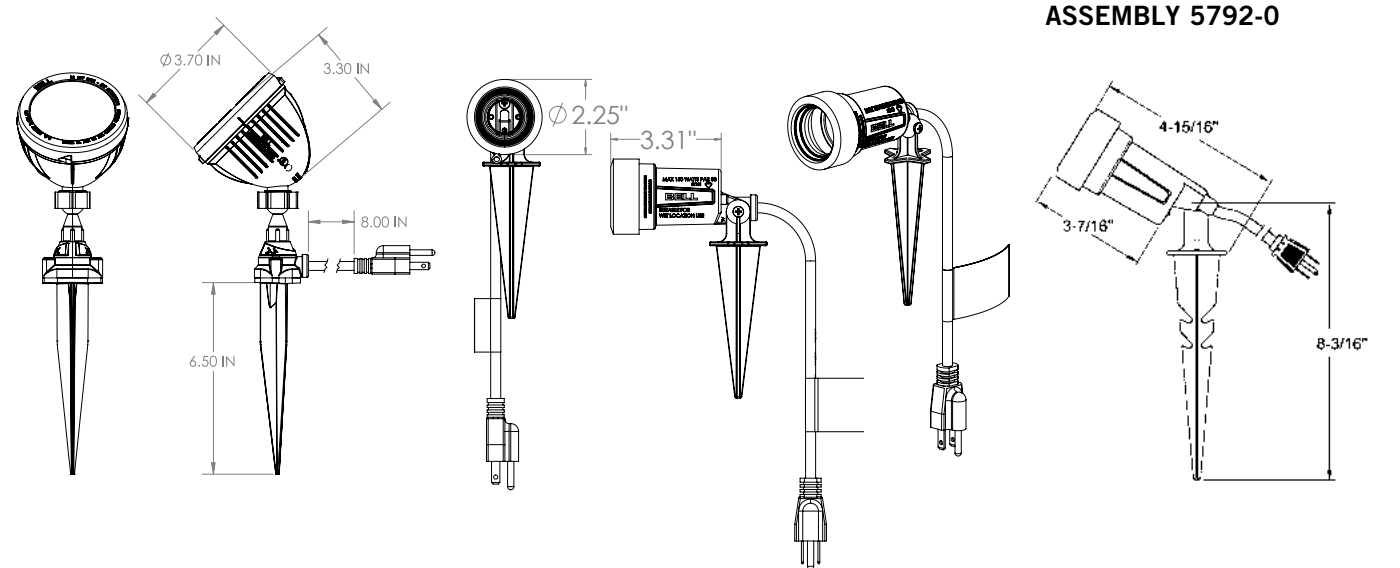
BULLET LAMPHOLDER ASSEMBLY 5820-8

SPLD2Z



SPLD500Z

SL101B

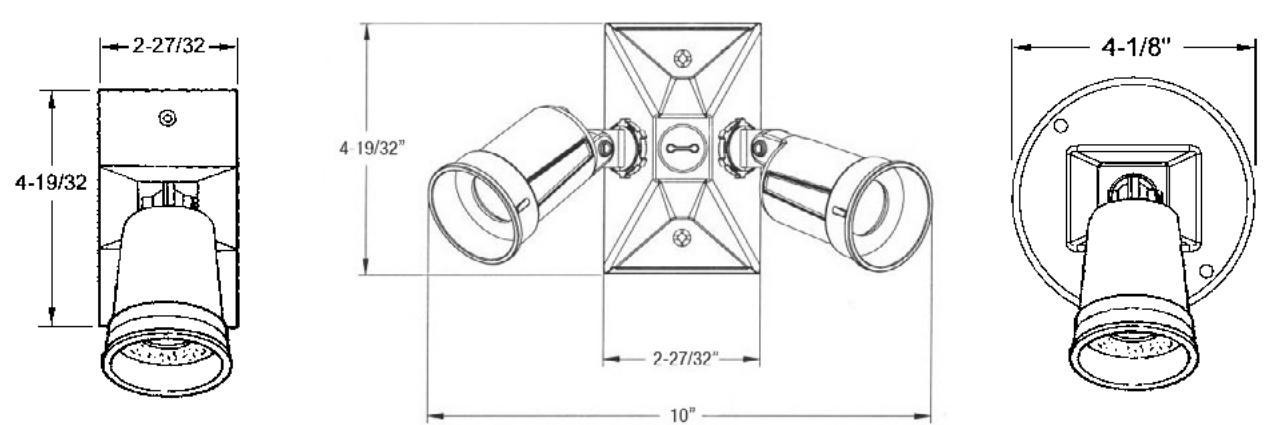


METALLIC LAMPHOLDER COMBINATIONS AND GARDEN LIGHT

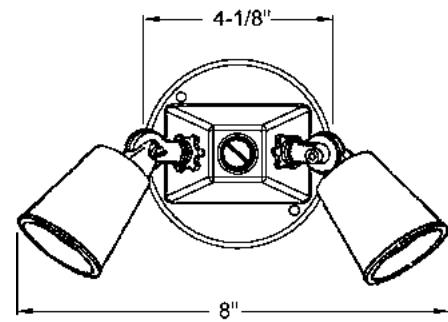
5620 SERIES

5621 SERIES

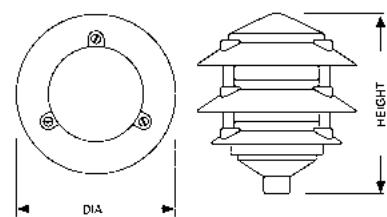
5624 SERIES



5625 SERIES

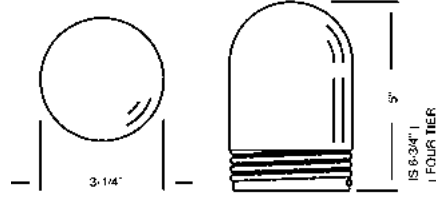


5884-8, 5893-8



CATALOG #	DIA.	HEIGHT
5884-8	6"	7"
5893-8	6"	8-3/4"

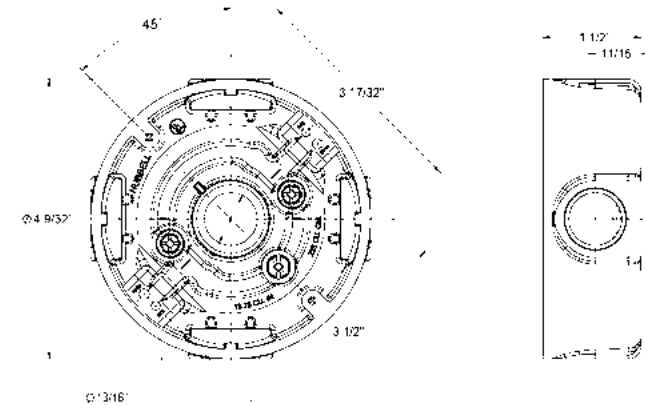
REPLACEMENT GLOBE: 5694-0, 5695-0



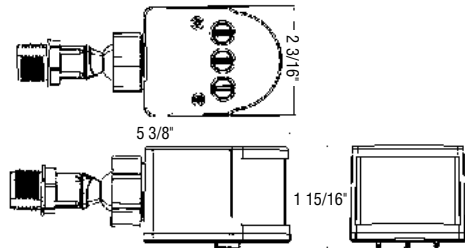
CATALOG #	DIA.	HEIGHT
5694-0	3-1/4"	5"
5695-0	3-1/4"	6-3/4"

NONMETALLIC BOXES

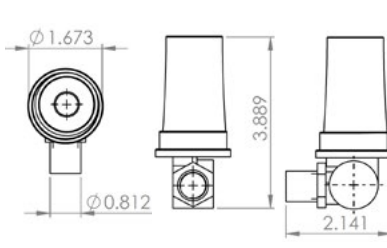
PRCF57550



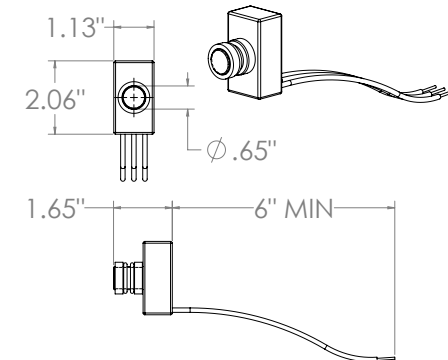
MOTION SENSOR SWITCH  
5639 SERIES



PHOTOCELL  
5638

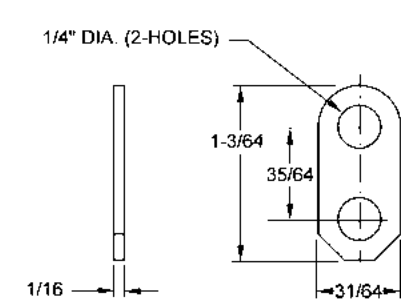


PE100

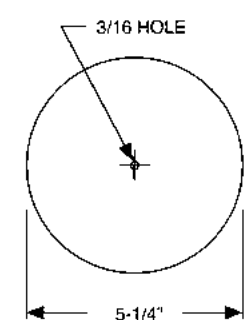


ACCESSORIES

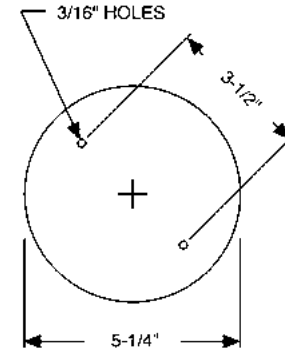
BOX MOUNTING LUG  
CATALOG NO. 5302-0



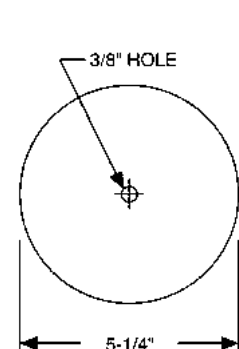
ROUND CLOSURE PLATES  
CATALOG NO. 5652-1



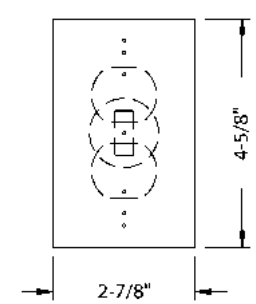
CATALOG NO. 5653-1



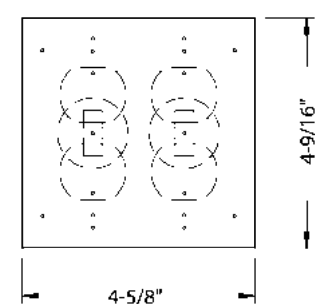
CATALOG NO. 5654-1



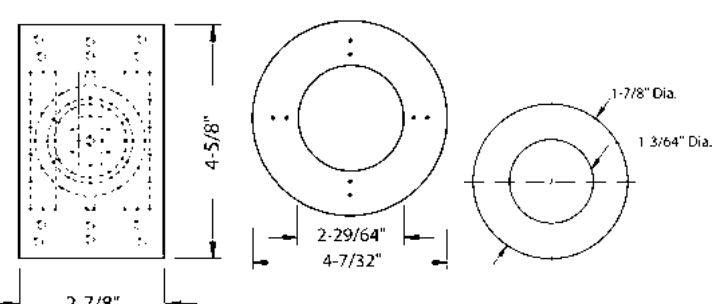
GASKET:  
CATALOG NO. 5019-0



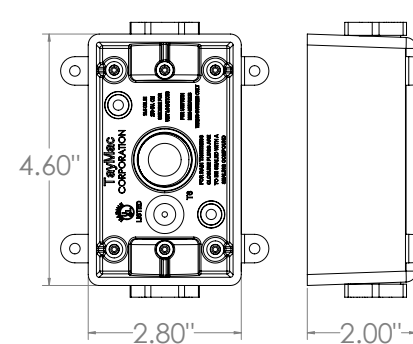
GASKET:  
CATALOG NO. 5020-0



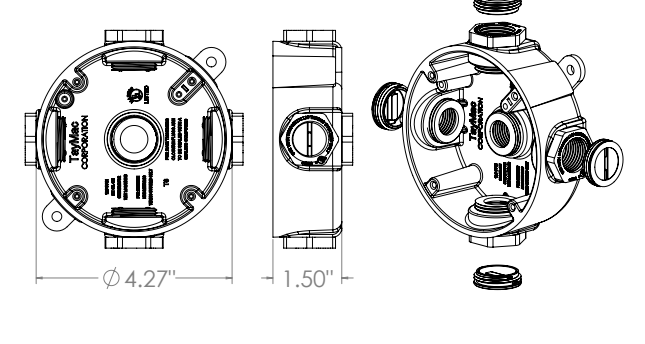
GASKETS:  
CATALOG NO. 5017-0



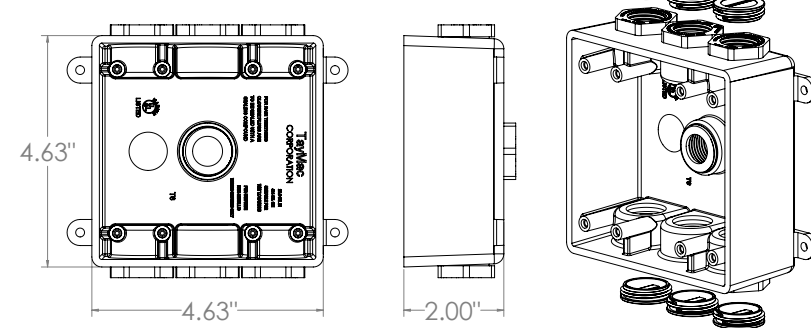
PSB37550



PRB57550

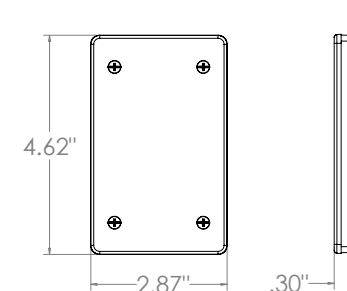


PDB77550G

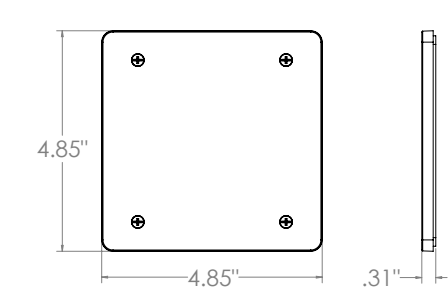


NONMETALLIC COVERS

PBC100



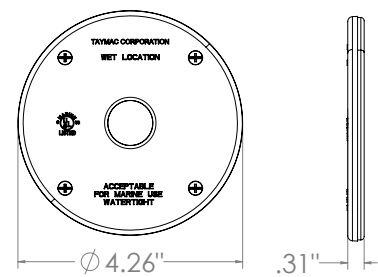
PBC200



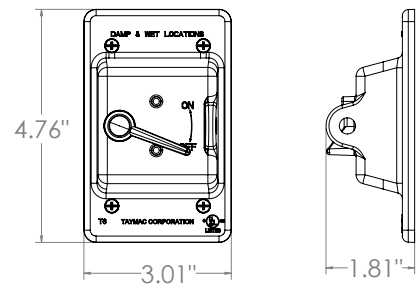


NONMETALLIC COVERS

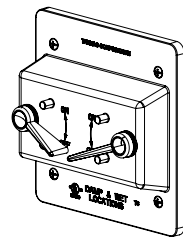
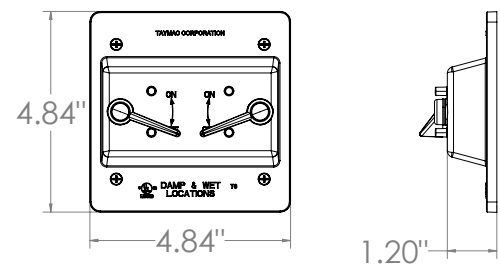
PBC300



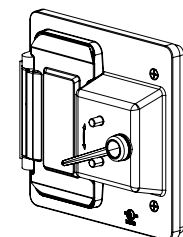
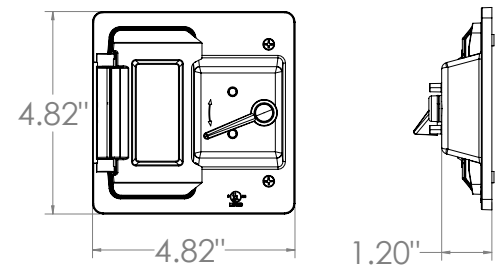
PTC100



PTC200

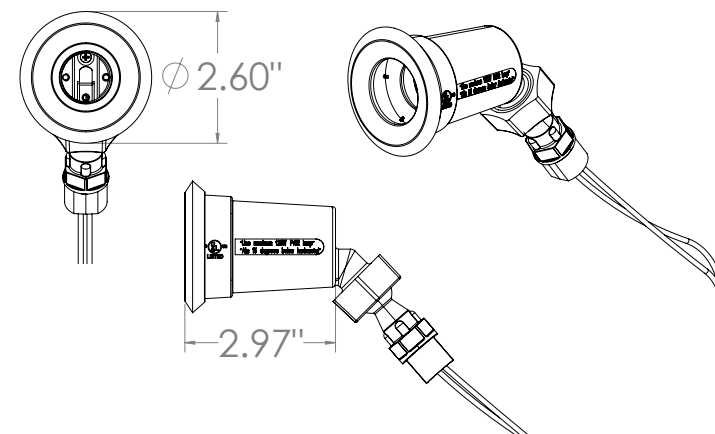


PTC521

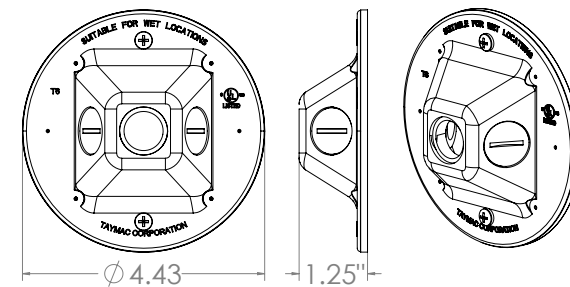


NONMETALLIC LIGHTING

PLTS100



PLV330



NONMETALLIC ACCESSORIES

PCP47550

