

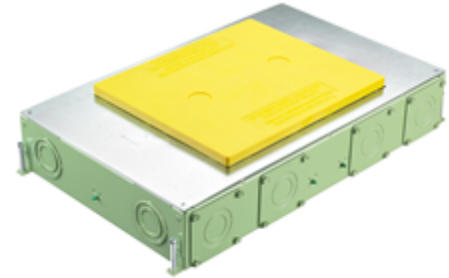
Floor Boxes

SystemOne Recessed 6 Gang Floor Box

For Use In Concrete Floors

Features

- Designed for applications requiring up to 2 in. conduits (with use of CFBHUB2 purchased separately)
- Stamped steel construction, exterior coated with fusion bonded epoxy paint for on grade use
- Pre and post pour adjustment
- Patent pending, labor saving, easy mount device plates
- Rectangular covers



Ordering Information

- A ½ in. yellow plastic cover insert is included and allows for easy use in tile, finished concrete or other mediums
- 6 inch solid conductor ground pigtail in each gang

Catalog Number	UPC Number	Cover Series	Box Type
CFB6G30CR	783585540955	610Gxx	On Grade
Device Volume	Depth Behind Mounting Plate	Min. Pour Depth	
33 cu in.	2 1/2 in.	3 in.	

Specifications

Box Material	16 gauge galvanized steel
Access Cover Material (ordered separately)	Die cast aluminum
Plastic Concrete Cover	Polypropolyne - yellow

Required

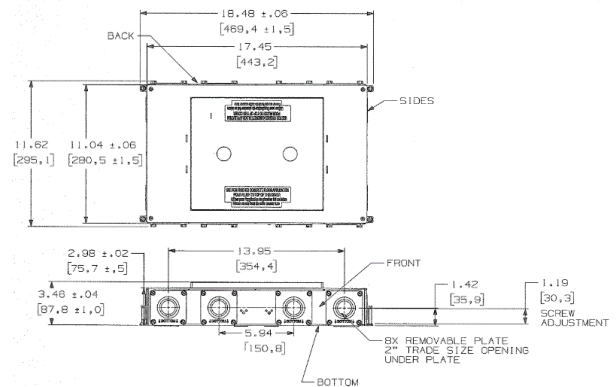
Cover

- Surface Style Rectangular Covers (for use with carpet, tile, VCT and other engineered floors) [Click here](#)
- Flush Style Rectangular Covers (for use with tile, finished concrete and Terrazzo floors) [Click here](#)

Accessories

2 in. threaded zinc hub	CFBHUB2
Replacement knock-out plate with epoxy coating	CFBKOPATECR
Replacement wire-way, used to pass wires from one compartment to the other	CFB46WW

HUBBELL



Online Resources

Customer Use Drawing
eCatalog
Installation Instructions

Dimensions in Inches (mm)

Hubbell Wiring Device-Kellems • Hubbell Incorporated (Delaware) • 40 Waterview Drive • Shelton, CT 06484

Phone (800) 288-6000 • Fax (800) 255-1031 • Specifications subject to change without notice.

