

Floor Boxes

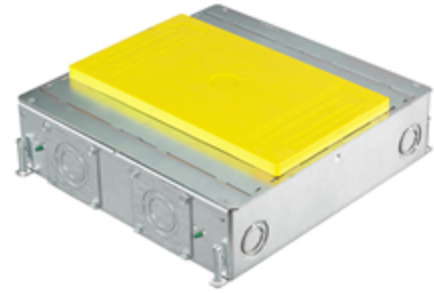
SystemOne Recessed 4 Gang Floor Box

For Use In Concrete Floors

HUBBELL

Features

- Designed for applications requiring up to 2 in. conduits (with use of CFBHUB2 purchased separately)
- Stamped steel construction
- Pre and post pour adjustment
- Patent pending, labor saving, easy mount device plates
- Rectangular covers



Ordering Information

- A ½ in. yellow plastic cover insert is included and allows for easy use in tile, finished concrete or other mediums
- 6 inch solid conductor ground pigtail in each gang

Catalog Number CFB4G30	UPC Number 783585447230	Cover Series 24Gxx	Box Type Above Grade
Device Volume 32 1/2 cu in.	Depth Behind Mounting Plate 2 1/2 in.	Min. Pour Depth 3 in.	

Specifications

Box Material	16 gauge galvanized steel
Access Cover Material (ordered separately)	Die cast aluminum
Plastic Concrete Cover	Polypropolyne - yellow

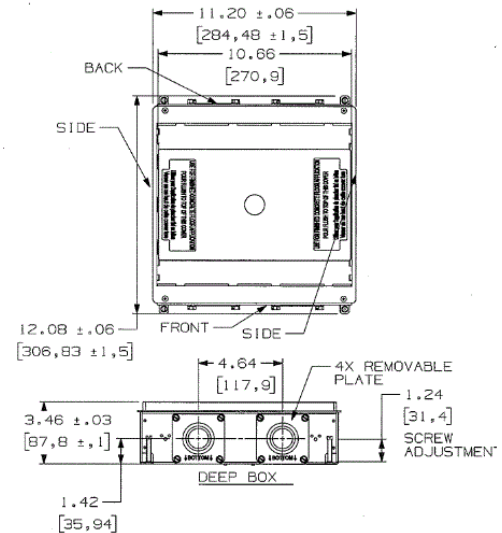
Required

Cover

- Surface Style Rectangular Covers (for use with carpet, tile, VCT and other engineered floors) [Click here](#)
- Flush Style Rectangular Covers (for use with tile, finished concrete and Terrazzo floors) [Click here](#)

Accessories

2 in. threaded zinc hub	CFBHUB2
Replacement knock-out plate	CFBKOPATE
Replacement wire-way, used to pass wires from one compartment to the other	CFB46WW



Online Resources

Customer Use Drawing
eCatalog
Installation Instructions

Dimensions in Inches (mm)

Hubbell Wiring Device-Kellems • Hubbell Incorporated (Delaware) • 40 Waterview Drive • Shelton, CT 06484

Phone (800) 288-6000 • Fax (800) 255-1031 • Specifications subject to change without notice.

