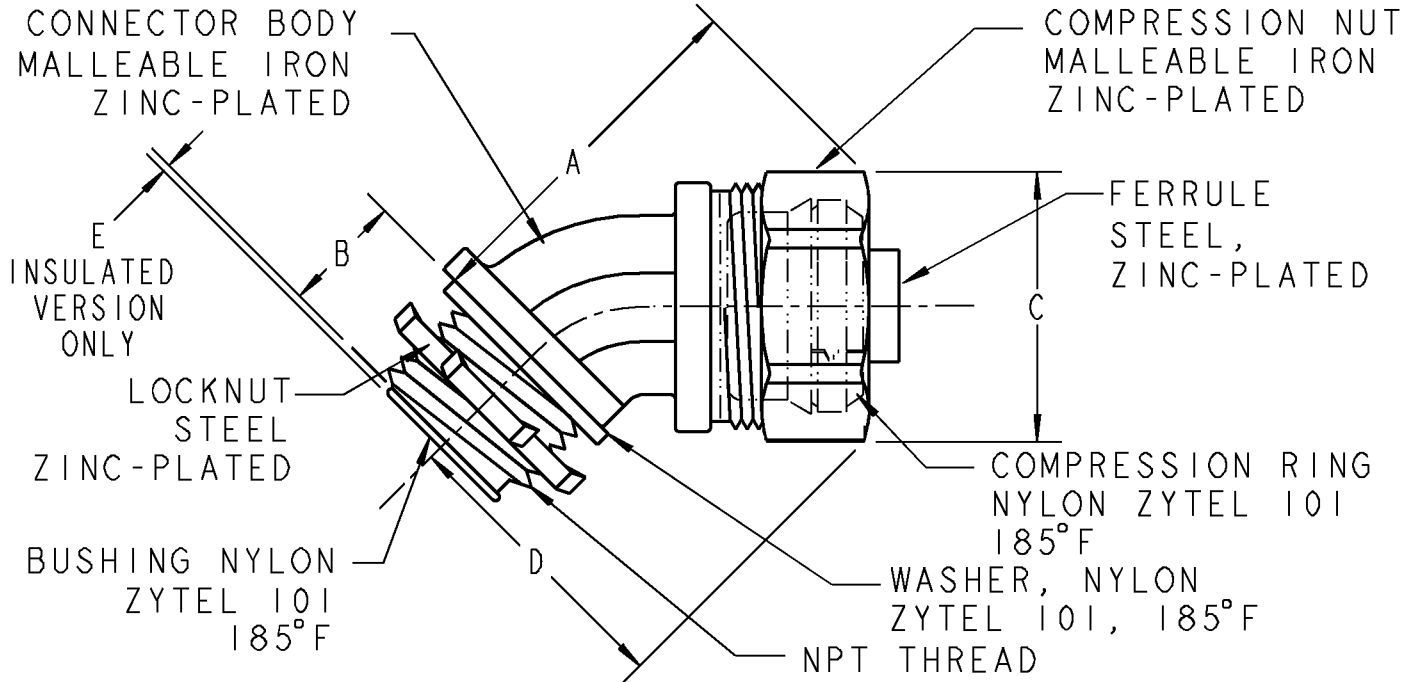




Steel City



* ADD A 'T' TO CATALOG NO. FOR INSULATED VERSION (EXAMPLE LT438T-SC).

T&B CAT NO.*	SIZE	NPT	A±.031	B±.031	C±.031	D±.031	E±.020
LT438-SC	3/8"	1/2-14	2.060	.520	1.200	1.300	.060
LT450-SC	1/2"	1/2-14	2.000	.520	1.330	1.400	
LT475-SC	3/4"	3/4-14	2.190	.550	1.585	1.770	
LT4100-SC	1"	1-11 1/2	2.470	.650	1.840	1.900	
LT4125-SC	1-1/4"	1 1/4-11 1/2	3.000	.675	2.250	2.200	
LT4150-SC	1-1/2"	1 1/2-11 1/2	3.100	.685	2.500	2.330	
LT4200-SC	2"	2-11 1/2	3.750	.750	3.000	2.660	

T&B CAT NO.	SIZE	NPT	A±.062	B±.062	C±.062	D±.062	E±.020
LT4250-SC	2 1/2"	2 1/2-8	7.500	1.065	4.040	4.930	.100
LT4300-SC	3"	3-8	8.665	1.120	4.840	5.400	
LT4350-SC	3 1/2"	3 1/2-8	9.900	1.180	5.530	6.270	
LT4400-SC	4"	4-8	11.800	1.250	6.120	7.420	

GENERAL NOTES

- ALL DIMENSIONS ARE FOR REFERENCE ONLY.
- DIMENSIONS IN BRACKETS [] ARE IN METRIC UNITS.

www.tnb.com

Thomas & Betts
A Member of the ABB Group

REVISIONS

- | | |
|---|---|
| 1 | SEE ERN (2015699) FOR APPROVAL SIGNATURES & RELEASE DATE.
PROJECT NO: 011P000559 |
|---|---|

DESCRIPTION: **3/8" TO 4" MALLEABLE IRON, 45° LIQUIDTIGHT FITTINGS, STEEL CITY**

ORIGINAL PROJECT NO / (ERN NO)

SHEET NO:

REV. NO:

DRAWING NO:

011P000559 / (2015672)

1 OF 1

1

WSD-001294