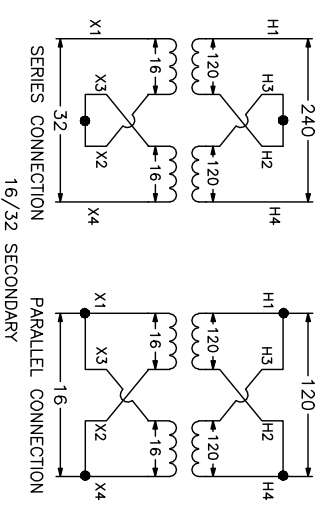
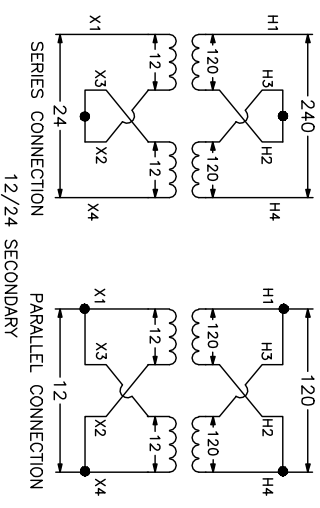
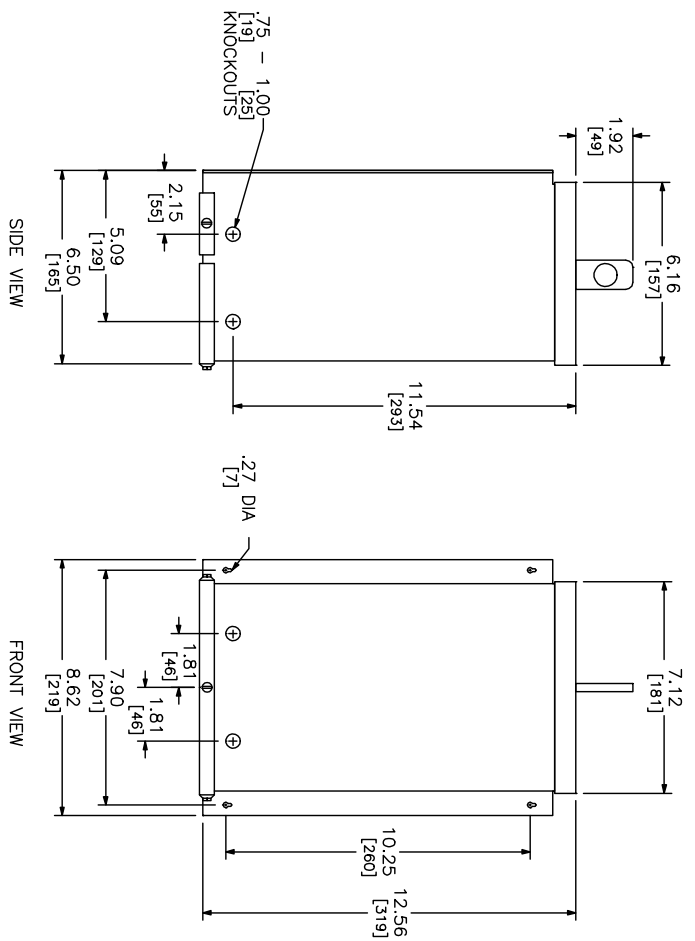


BUCK AND BOOST TRANSFORMER  
 3.0 KVA 10 60HZ  
 120 X 240V PRIMARY



DUAL DIMENSIONS: INCHES  
 MILLIMETERS

| KVA | CATALOG NUMBERS |                 | TEMP. RISE | WGT LBS |
|-----|-----------------|-----------------|------------|---------|
|     | 12/24 SECONDARY | 16/32 SECONDARY |            |         |
| 3.0 | 3S43F           | 3S46F           | 115°C      | 59.5    |



SEISMIC QUALIFICATION:  
 TO BE COMPLIANT WITH THE SEISMIC REQUIREMENTS OF ASCE/SEI7, THIS UNIT HAS BEEN QUALIFIED BY SHAKE TABLE TESTING THROUGH SELF CERTIFICATION TO ICC ES AC156. THE ENCLOSURE SHOWN ABOVE IS 9A. CONTACT YOUR LOCAL SCHNEIDER ELECTRIC/SQUARE D REPRESENTATIVE FOR RELATED QUESTIONS.

NOTES:  
 UL/CUL LISTED  
 NEMA 3R NON-VENTILATED ENCLOSURE  
 COPPER WOUND  
 185°C INSULATION SYSTEM FOR 115°C RISE  
 EPOXY-RESIN ENCAPSULATED

BUCK AND BOOST TRANSFORMERS  
 3.0 KVA 1PH 60HZ  
 120 X 240V PRIMARY

DWG# 3621  
 NO.

