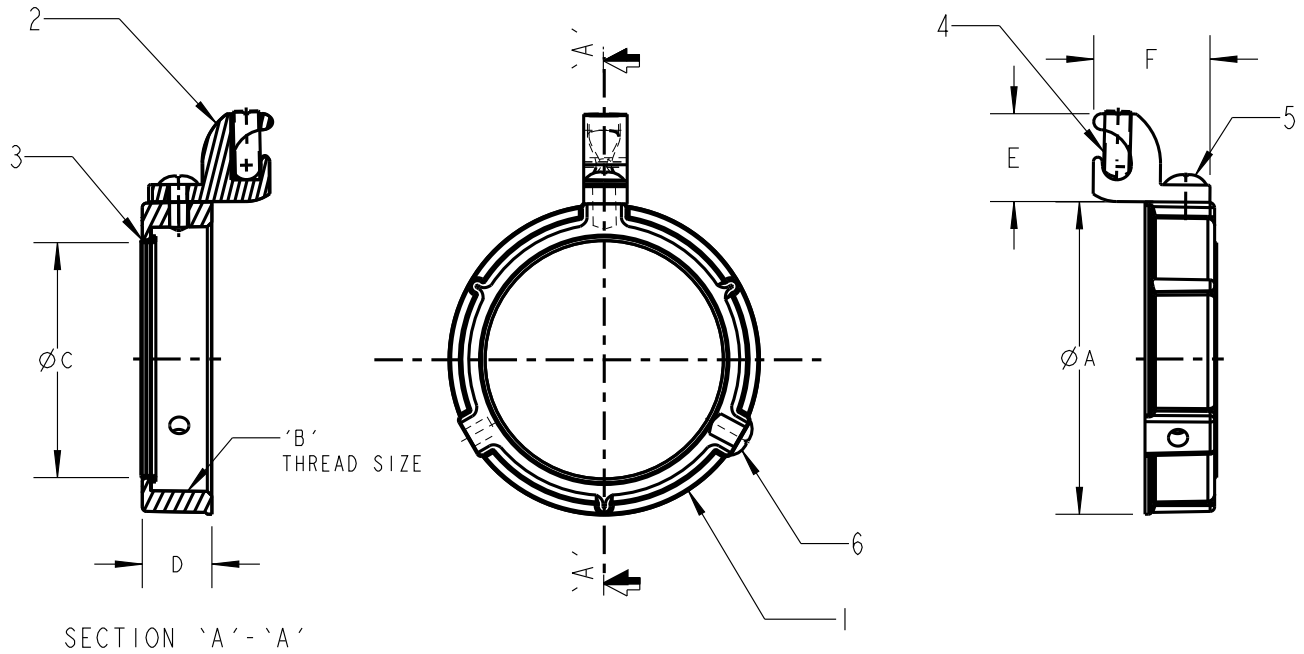




Steel City



ITEM NO	DESCRIPTION	MATERIAL	FINISH	QTY
1	GROUNDING BUSH	ZINC DIE CAST ZAMAK 3	NA	1
2	LAY IN GROUNDING LUG	ALUMINUM ALLOY	ELECTRO TIN PLATED	1
3	INSULATOR	THERMO PLASTIC (UL RATING OF 105°C)	NA	1
4	SET SCREW	STEEL	ZINC PLATED	1
5	LUG SCREW	STEEL	ZINC PLATED	1
6	PAD SCREW	STEEL	ZINC PLATED	1

T&B CAT NO.	Ø A	B NPSM THREAD	Ø C	D	E	F	WIRE SIZE CU/AL
BG801L	26.5	1/2"	14.3	12.6	19.8	27.0	#14 - #4 AWG
BG802L	32.4	3/4"	18.8	12.6	19.8	27.0	#14 - #4 AWG
BG803L	39.0	1"	24.50	15.1	19.8	27.0	#14 - #4 AWG
BG804L	47.6	1-1/4"	31.90	15.5	19.8	27.0	#14 - #4 AWG
BG805L	54.8	1-1/2"	38.30	15.5	23.8	35.0	#14 - #2 AWG
BG806L	67.8	2"	48.90	15.2	23.8	35.0	#14 - #2 AWG
BG807L	82.0	2-1/2"	59.10	21.1	29.7	38.25	#14 - 1/0 AWG
BG808L	97.9	3"	74.30	21.1	29.7	38.25	#14 - 1/0 AWG
BG809L	110.5	3-1/2"	86.00	21.2	45.8	56.00	#6 - 250 MCM
BG810L	123.4	4"	98.10	21.2	45.8	56.00	#6 - 250 MCM

GENERAL NOTES

- ALL DIMENSIONS ARE FOR REFERENCE ONLY.
- DIMENSIONS IN BRACKETS [] ARE IN METRIC UNITS.

www.tnb.com

Thomas & Betts

A Member of the ABB Group

DESCRIPTION:

**GROUNDING BUSHING W/
ALUMINUM LAY IN LUG**

REVISIONS

** SEE ERN (****) FOR APPROVAL SIGNATURES & RELEASE DATE.
PROJECT NO: ****

ORIGINAL PROJECT NO / (ERN NO)

117P000680 / (2016216)

SHEET NO:

1 OF 1

REV. NO:

-

DRAWING NO:

WSD-001350