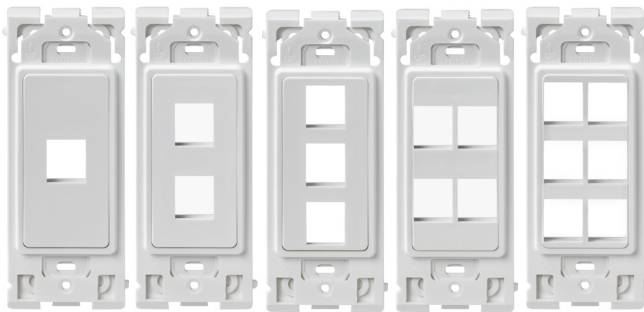


## Renu® QuickPort® Inserts

### APPLICATION

Renu is the smart and quick new way to update the look of a room. The Renu collection of inserts allows compatible wallplates to snap on and off without the need of tools, simplifying installation and maintenance. Renu inserts come in three colors that correlate directly with the QuickPort® line of connectors. All inserts are cULus listed and come in 1-, 2-, 3-, 4-, and 6-port insert options. Use to support voice, data, audio, and video applications in a NEMA opening when using a Renu wallplate.



### SPECIFICATION

All Renu inserts shall be cULus listed and compatible with QuickPort connectors. Inserts shall come in 1-, 2-, 3-, 4-, and 6-port insert options and be available in three colors. Renu inserts shall be made of polycarbonate.

### FEATURES

- 1-, 2-, 3-, 4-, and 6-port insert options
- Inserts accept all QuickPort connectors
- Tongue and groove design simplifies alignment in multi-gang installations
- Quick and easy to install
- Available in three colors: White on White, Navajo Sand or Onyx Black (colors coordinate with the commercial-grade QuickPort line: White, Light Almond and Black)
- Textured finish

### DESIGN CONSIDERATIONS

- Use only with Renu wallplates
- Use where a Renu brand look and flush-mounting are desired
- If ganged with electrical devices, use the 47610 series of mounting brackets or barrier box
- Blanks (RE640-B\*\*) can be put in unused ports to allow for future expansion
- Different colored connectors can be used to identify ports for each application
- Removable adapter ring allows for custom color configuration

### STANDARDS COMPLIANCE

Meets or exceeds all applicable standards: cULus listed

### PHYSICAL SPECIFICATIONS

Material: Polycarbonate  
Dimensions: See page two

### COUNTRY OF ORIGIN

Mexico

### WARRANTY INFORMATION

For a copy of Leviton product warranties, visit [www.leviton.com](http://www.leviton.com).

#### Leviton Network Solutions

2222 - 222nd St. SE  
Bothell, WA 98021-4416

tel 1-800-824-3005  
tel +1-425-486-2222  
[appeng@leviton.com](mailto:appeng@leviton.com)  
[www.leviton.com](http://www.leviton.com)

**Asia / Pacific**  
T +1.631.812.6228  
E [infoasean@leviton.com](mailto:infoasean@leviton.com)

**Europe**  
T +33.6.8869.1380  
E [infoeurope@leviton.com](mailto:infoeurope@leviton.com)

**Canada**  
T +1.514.954.1840  
E [pcservice@leviton.com](mailto:pcservice@leviton.com)

**India / SAARC**  
T +91.80.4322.5678  
E [infoindia@leviton.com](mailto:infoindia@leviton.com)

**Caribbean**  
T +1.954.593.1896  
E [infocaribbean@leviton.com](mailto:infocaribbean@leviton.com)

**Mexico**  
T +52.55.5082.1040  
E [lsamarketing@leviton.com](mailto:lsamarketing@leviton.com)

**China**  
T +852.2774.9876  
E [infochina@leviton.com](mailto:infochina@leviton.com)

**Middle East & Africa**  
T +971.4.886.4722  
E [lmeinfo@leviton.com](mailto:lmeinfo@leviton.com)

**Colombia**  
T +57.1.743.6045  
E [infocolombia@leviton.com](mailto:infocolombia@leviton.com)

**South Korea**  
T +82.2.3273.9963  
E [infokorea@leviton.com](mailto:infokorea@leviton.com)

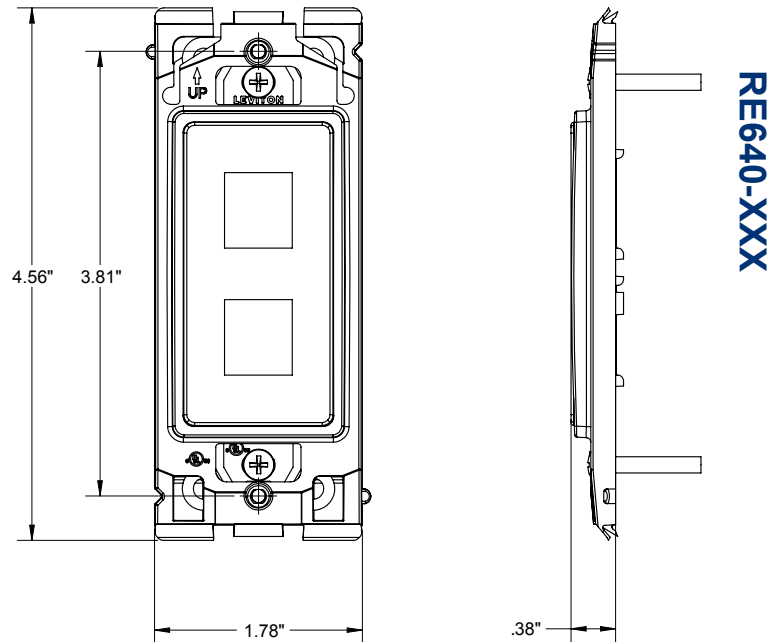
**ELECTRONIC FILES**

For CAD files, typical specs, or technical drawings (.DXF, .DWG), visit [www.leviton.com](http://www.leviton.com).

**PART NUMBERS**

Description	Part No.
1-port Renu® Insert, White on White (White)*	RE640-WW1
1-port Renu Insert, Onyx Black (Black)*	RE640-OB1
1-port Renu Insert, Navajo Sand (Light Almond)*	RE640-NS1
2-port Renu Insert, White on White (White)*	RE640-WW2
2-port Renu Insert, Onyx Black (Black)*	RE640-OB2
2-port Renu Insert, Navajo Sand (Light Almond)*	RE640-NS2
3-port Renu Insert, White on White (White)*	RE640-WW3
3-port Renu Insert, Onyx Black (Black)*	RE640-OB3
3-port Renu Insert, Navajo Sand (Light Almond)*	RE640-NS3
4-port Renu Insert, White on White (White)*	RE640-WW4
4-port Renu Insert, Onyx Black (Black)*	RE640-OB4
4-port Renu Insert, Navajo Sand (Light Almond)*	RE640-NS4
6-port Renu Insert, White on White (White)*	RE640-WW6
6-port Renu Insert, Onyx Black (Black)*	RE640-OB6
6-port Renu Insert, Navajo Sand (Light Almond)*	RE640-NS6
Renu Blank Adapter, White on White (White)*	RE640-BWW
Renu Blank Adapter, Onyx Black (Black)*	RE640-BOB
Renu Blank Adapter, Navajo Sand (Light Almond)*	RE640-BNS

\*Corresponding QuickPort® color is listed in parentheses



**Leviton Network Solutions**  
2222 - 222nd St. SE  
Bothell, WA 98021-4416

**Asia / Pacific**  
T +1.631.812.6228  
E [infoasean@leviton.com](mailto:infoasean@leviton.com)

**Canada**  
T +1.514.954.1840  
E [pcservice@leviton.com](mailto:pcservice@leviton.com)

**Caribbean**  
T +1.954.593.1896  
E [infocaribbean@leviton.com](mailto:infocaribbean@leviton.com)

**China**  
T +852.2774.9876  
E [infochina@leviton.com](mailto:infochina@leviton.com)

**Colombia**  
T +57.1.743.6045  
E [infocolombia@leviton.com](mailto:infocolombia@leviton.com)

tel 1-800-824-3005  
tel +1-425-486-2222  
[appeng@leviton.com](mailto:appeng@leviton.com)  
[www.leviton.com](http://www.leviton.com)

**Europe**  
T +33.6.8869.1380  
E [infoeurope@leviton.com](mailto:infoeurope@leviton.com)

**India / SAARC**  
T +91.80.4322.5678  
E [infoindia@leviton.com](mailto:infoindia@leviton.com)

**Mexico**  
T +52.55.5082.1040  
E [lsamarketing@leviton.com](mailto:lsamarketing@leviton.com)

**Middle East & Africa**  
T +971.4.886.4722  
E [lmeinfo@leviton.com](mailto:lmeinfo@leviton.com)

**South Korea**  
T +82.2.3273.9963  
E [infokorea@leviton.com](mailto:infokorea@leviton.com)