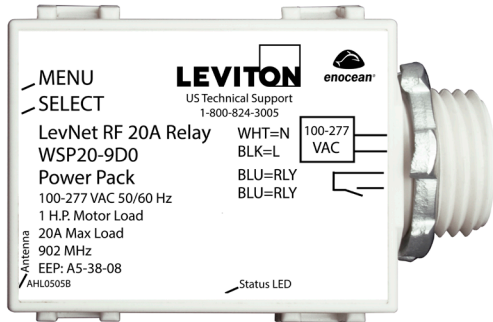


LevNet RF™ 902 MHz Line Voltage Relay Receiver

For use with LevNet RF 902 MHz Products



The LevNet RF™ 902 MHz Line Voltage Receiver receives signals from LevNet RF self-powered sensors, switches, and other transmitters to control lighting, and other devices or loads. Self-powered RF technologies eliminate control switch-leg-wiring, making them an ideal solution for retrofits and new construction. Installation is quick and easy and the receiver mounts with no additional wiring required.

The line voltage receiver is used to control larger lighting loads or groups and motor loads such as fans, pumps and gates. The receiver includes isolated contacts that can switch power from a different circuit. Simply install the receiver at the load location and install as many as 25 wireless transmitters anywhere within range. LevNet RF single channel relay receivers allow lights and fans to be controlled by LevNet RF switches and sensors.

The line voltage receiver helps simplify advanced wireless lighting control. The LevNet RF line includes multiple products that operate in the uncrowded 902 MHz radio frequency (RF) band, offering greater transmission range (50-150') than other RF technologies with minimal competitive traffic.

APPLICATIONS

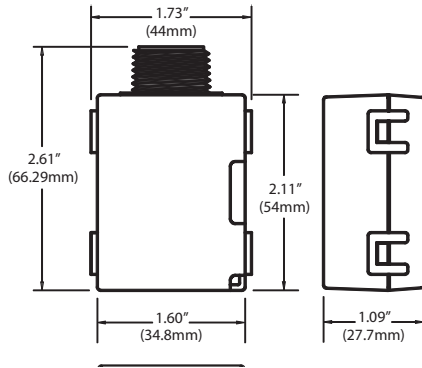
- Daylight harvesting
- Load shedding
- Retrofits
- New construction
- Conference rooms
- Classrooms
- Multi-media areas
- Houses of worship
- Shop/Garage
- Gym
- Restaurant

FEATURES

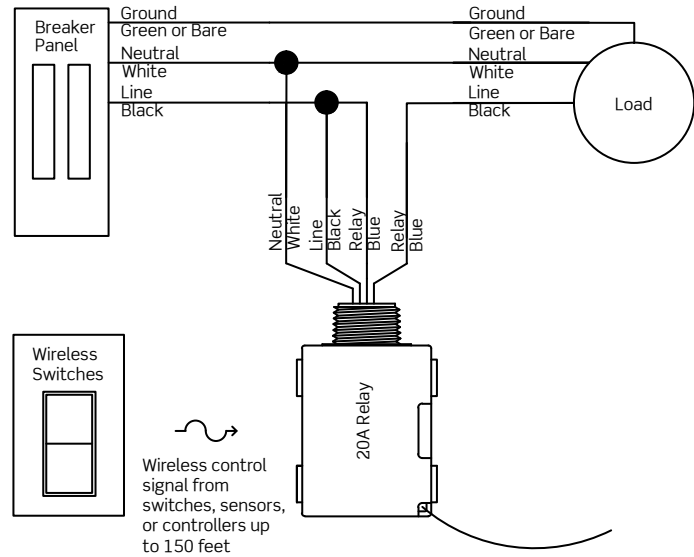
- **Power consumption** — save 70% over other wireless technologies
- **Long range** — with a 50-150' range, LevNet RF provides the longest reliable range in the industry
- **Easy-to-use** — programs in seconds; run zero switch-leg or traveler wires
- **Increased memory** — each unit stores up to 25 transmitter IDs; error checking ensures the receiver only responds to appropriate transmitters on all packet transfers
- **Save energy** — teach the receiver to respond to a LevNet RF sensor or teach all lights to respond to a single master switch
- **Control the way you want it** — control the receiver with a variety of devices – wireless self-powered switches, sensors and more
- **Simple wireless controls** — single-pole, 3-way, and 4-way switches; compatible with hardwired 3-way and 4-way switches; architectural lighting control- motor control, manual-ON/OFF and auto-OFF controls
- **Built-in repeater** — repeats wireless signals received for extended range, flexibility and reliability



PRODUCT DATA
DIMENSIONS



WIRING DIAGRAM



SPECIFICATIONS

| LEVNET RF 902MHZ LINE VOLTAGE RELAY RECEIVER | |
|---|--|
| Range | 50-150' |
| Frequency | 902 MHz |
| Memory | Stores up to 20 transmitter IDs |
| Power Consumption | <0.5W |
| Operating Temperature | 32-122°F (0-50°C) |
| Storage Temperature | -4-176°F (-20-80°C) |
| Endurance | 1,000,000 minimum mechanical cycles (no load @ 1,800 cycles/hr) |
| Dimensions | 2.11" H x 1.73" W x 1.09" D (54mm x 44mm x 28mm) |
| Weight | 5oz (141.75g) |
| Listings | UL60730 (Safety), UL2043 (Plenum); CSA C22.2#14-05 (Safety), CE-IEC 60730, CA Title 24 |
| Radio Certification | FCC certified for wireless communication (U.S.), IC certified (Canada) FCC ID: SZV-STM300U IC: 5713A-STM300U |
| Power Supply Input | 100-277VAC, 50/60 Hz |
| All Loads: Metal Halide, Sodium Vapor, Induction, Fluorescent, LED, Other | 20A all lighting loads 1 HP motor loads |
| Output Channels | 1 FORM A relay |

ORDERING INFORMATION

| CAT. NO. | DESCRIPTION |
|-----------|---|
| WSP20-9D0 | LevNet RF 902 MHz Line Voltage Relay Receiver, 100-277V, 50/60 Hz |

Leviton Manufacturing Co., Inc. Global Headquarters

201 N. Service Rd. Melville, NY 11747-3138 • Tech Line: 1-800-824-3005 • Fax: 1-800-832-9538

Leviton Manufacturing Co., Inc. Lighting & Energy Solutions

20497 SW Teton Avenue, Tualatin, OR 97062 • Telephone: 1-800-736-6682 • Fax: 503-404-5594
 Tech Line (6:00AM-4:00PM P.S.T. Monday-Friday): 1-800-959-6004

Leviton Manufacturing of Canada, Ltd.

165 Hymus Boulevard, Pointe Claire, Quebec H9R 1E9 • Telephone: 1-800-469-7890 • FAX: 1-800-563-1853

Leviton S. de R.L. de C.V.

Lago Tana 43, Mexico DF, Mexico CP 11290 • Tel. (+52) 55-5082-1040 • FAX: (+52) 5386-1797 • www.leviton.com.mx

Visit our Website at: www.leviton.com/les

© 2015 Leviton Manufacturing Co., Inc. All rights reserved. Subject to change without notice.

G-9324/A15-aa