

Pauluhn ZPLA explosionproof LED luminaires

For drilling and marine applications

Cl. I, Div. 1, Groups C, D
Cl. II, Div. 1, Groups E, F, G
Cl. III

UL Listed
CSA Certified
Marine & Wet Locations
NEMA 4X; IP66

2L

2L

Pauluhn™ ZPLA explosionproof linear LEDs are designed to replace fluorescent T12, T8 and T5HO lighting on marine vessels and land-based and offshore drilling platforms. The rugged and durable design features the industry's most versatile and flexible mounting options. The ZPLA is the ideal solution for high vibration, impact and hose down in drilling applications.



Model	Typical lumens	Watts	Lumens per watt	Equivalent HID luminaire	Typical energy savings / lifetime
ZPLA2	3,800 +/- 10%	28.4	135	T12HO	Up to 62%
				T8HO	Up to 57%
				T5HO	Up to 45%
				T12	Up to 34%
				T8	Up to 22%
				T5	Up to 6%
ZPLA4	8,300 +/- 10%	59.8	139	T12HO	Up to 58%
				T8HO	Up to 43%
				T5HO	Up to 53%
				T12	Up to 37%
				T8	Up to 21%
				T5	Up to 10%

Applications:

- Marine vessels, land-based and offshore rigs; areas include: mud room, derrick, mast, SCR house, top drive, operator's house, power and pump stations

Features:

- High efficacy: up to 139 LPW (ZPLA4 UNV34)
- 5000K CCT, 72 CRI
- -25°C to +55°C ambient operating temperature (standard fixture only)
- Low profile fixture (<5" height)
- Flush and swivel mount options
- Wide optics for uniform illumination
- Four points of secondary retention and loop feed wiring
- 2,000 PSI high pressure hose rated
- 5G 3-axis vibration
- 4kV line to line, 6kV line to earth surge protection
- 5 year fixture warranty

Standard materials:

- Housing – copper-free aluminum; Corro-free epoxy powder coat (optional)
- Lens – glass; diffused glass (optional)

Mounting (ordered separately):

Versatile mounting options:

- Flush mount
- Swivel/surface mount
- Pole mount

Certifications and compliances:

NEC/CEC:

- Class I, Division 1, Groups C, D
- Class II, Division 1, Groups E, F, G
- Class III
- NEMA 4X, IP66
- Marine and wet locations
- Paint spray rated

UL standards:

- UL50E – Enclosures for Electrical Equipment, Environmental Considerations
- UL844 – Electrical Fixture Hangers for Hazardous Locations
- UL924 – Emergency Lighting and Power Equipment
- UL1598 – Luminaire
- UL1598A – Luminaire for Installation on Marine Vessels
- UL8750 – Standard for Light Emitting Diode (LED) Equipment for use in Lighting Products

CSA standard:

- C22.2 Nos. 137, 250

Photometrics:

- Refer to www.eaton.com (under the Resources tab of each product family) for specific photometric IES files

Pauluhn ZPLA explosionproof LED luminaires

For drilling and marine applications

Cl. I, Div. 1, Groups C, D
Cl. II, Div. 1, Groups E, F, G
Cl. III

UL Listed
CSA Certified
Marine & Wet Locations
NEMA 4X; IP66

2L

2L

Electrical ratings:

	Input power (watts)	Input amps at 120-277 VAC
UNV1		
ZPLA2	28.3	0.23 - 0.11
ZPLA4	59.8	0.24 - 0.11

UNV1	
Voltage range, VAC	120-277V at 50/60 Hz
Voltage range, VDC	127-300V

All models	
Power factor	≥0.90
THD	≤15%

	Input power (watts)	Input amps at 347-480 VAC
UNV34^A		
ZPLA4	45.1	0.096 - 0.127

UNV34	
Voltage range, VAC	347-480V at 50/60 Hz

Temperature performance data:

Ambient temp. °C	Supply wire °C	Class I, Division 1	Class II, Division 1	Simultaneous presence	Paint spray
40 ^B	75	T6	T5	T6	T5
55	75	T6	T5	T5	T5
65	90	T5	T4A	T4A	T5

Weights:

Model	Lbs.	Kg.
ZPLA2	18.0	8.2
ZPLA4	27.0	12.2
Emergency	37.8	17.1

^AZPLA2 model not available with UNV34.

^BEM rated to +40°C only.

Pauluhn ZPLA explosionproof LED luminaires

For drilling and marine applications

Cl. I, Div. 1, Groups C, D
Cl. II, Div. 1, Groups E, F, G
Cl. III

UL Listed
CSA Certified
Marine & Wet Locations
NEMA 4X; IP66

2L

2L

Designed for drilling. Pauluhn ZPLA linear LED luminaires are engineered to stand up to the demanding conditions faced on land-based drilling rigs. The ZPLA stands up to high vibration, hose down, shock and impact, while delivering long life and high lumen performance for up to 10 years.



Custom optics

- 120° beam spread maximizes illumination on wall panels

Comprehensive certification

- Single model certified for use in Class I, Division 1 and Class II, Division 1 harsh and hazardous applications

Quick and easy installation

- Easy access to drivers and wiring
- No custom brackets or hardware needed
- Two mounting options available

Slim profile

- Less than 5" fixture height (excluding mounting brackets)
- Perfect for mounting in confined spaces or low height areas



Built to last

- Ingress protection from hose down water or diesel fuel in harsh operational conditions – passed 2,000 PSI high pressure test
- Vibration-, impact- and shock-resistant – passed 5G, 3-axis vibration test
- 60,000 hour lifetime at 55°C ambient
- 100,000+ hour lifetime at 40°C and below

Pauluhn ZPLA explosionproof LED luminaires

For drilling and marine applications

Cl. I, Div. 1, Groups C, D
Cl. II, Div. 1, Groups E, F, G
Cl. III

UL Listed
CSA Certified
Marine & Wet Locations
NEMA 4X; IP66

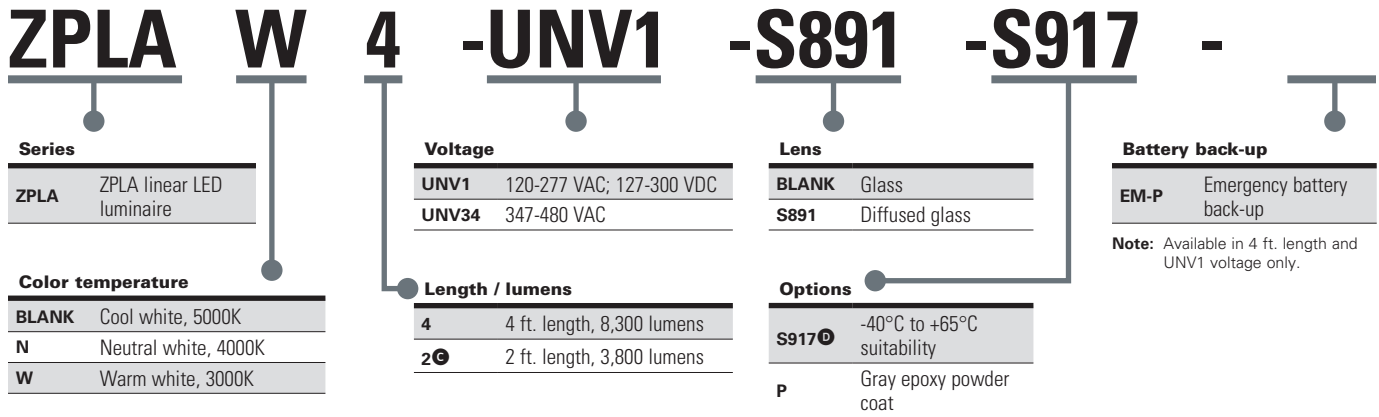
2L

2L

Ordering information:

Part number example

ZPLAW4-UNV1-S891-S917



Options:

Description	Suffix
• Diffused glass lens	S891
• -40°C to +65°C suitability	S917
• Gray epoxy powder coat	P

Accessories (ordered separately):

ZP1057MTK	Flush/back mount back plate
ZP1050MTK	Ceiling/swivel mount
PM KIT 1.25	1 1/4" pole mount kit
PM KIT 1.5	1 1/2" pole mount kit
PM KIT 2.0	2" pole mount kit
SS KIT	Safety chain kit (two cables)
XPL PS2	Polycarbonate paint spray lens shield kit (2 ft. fixture)
XPL PS4	Polycarbonate paint spray lens shield kit (4 ft. fixture)

Replacement driver kits (ordered separately)

ZPLA2-UNV1-DRIVER KIT	120-277 VAC driver replacement for 2 ft. linear
ZPLA4-UNV1-DRIVER KIT	120-277 VAC driver replacement for 4 ft. linear
ZPLA4-UNV34-DRIVER KIT	347-480 VAC driver replacement for 4 ft. linear
XPLA EM BATTERY KIT	Replacement battery pack for emergency back-up model

2 ft. model not available with UNV34 voltage option.

One year warranty.

Pauluhn ZPLA explosionproof LED luminaires

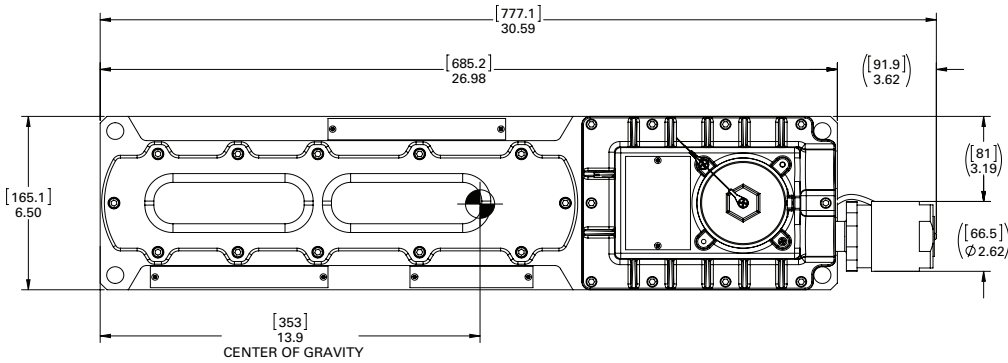
For drilling and marine applications

Cl. I, Div. 1, Groups C, D
Cl. II, Div. 1, Groups E, F, G
Cl. III

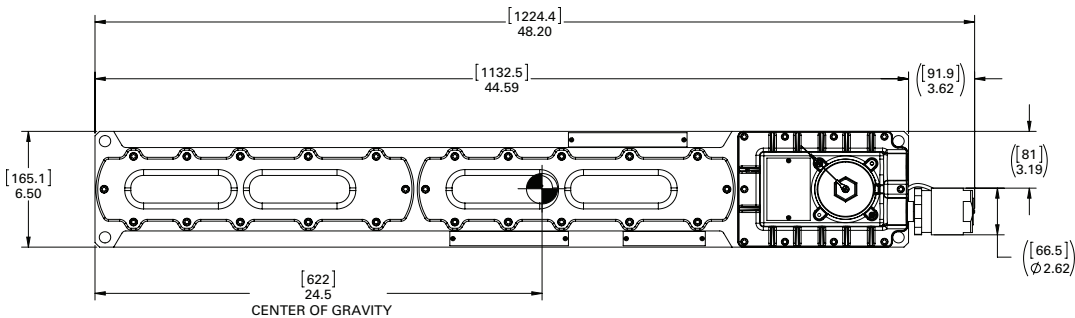
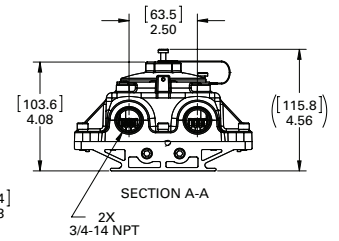
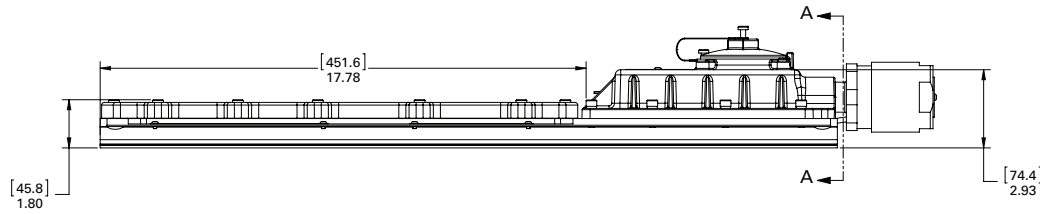
UL Listed
CSA Certified
Marine & Wet Locations
NEMA 4X; IP66

2L

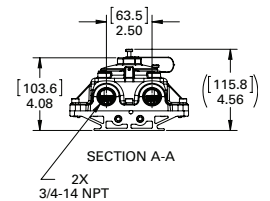
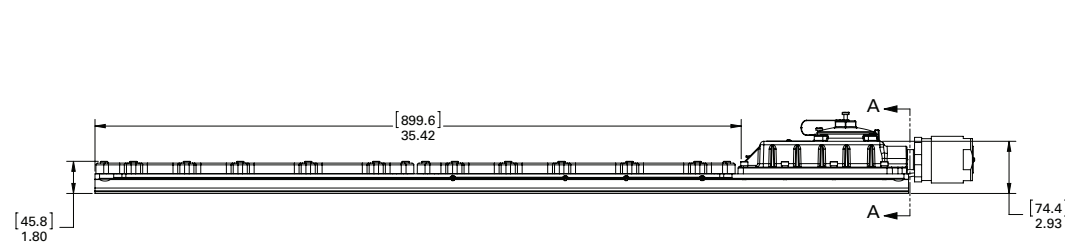
Dimensions:



2 FOOT FIXTURE



4 FOOT FIXTURE



Pauluhn ZPLA explosionproof LED luminaires

For drilling and marine applications

Cl. I, Div. 1, Groups C, D
Cl. II, Div. 1, Groups E, F, G
Cl. III

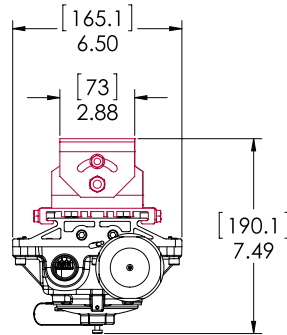
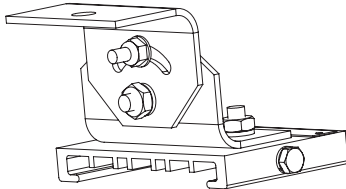
UL Listed
CSA Certified
Marine & Wet Locations
NEMA 4X; IP66

2L

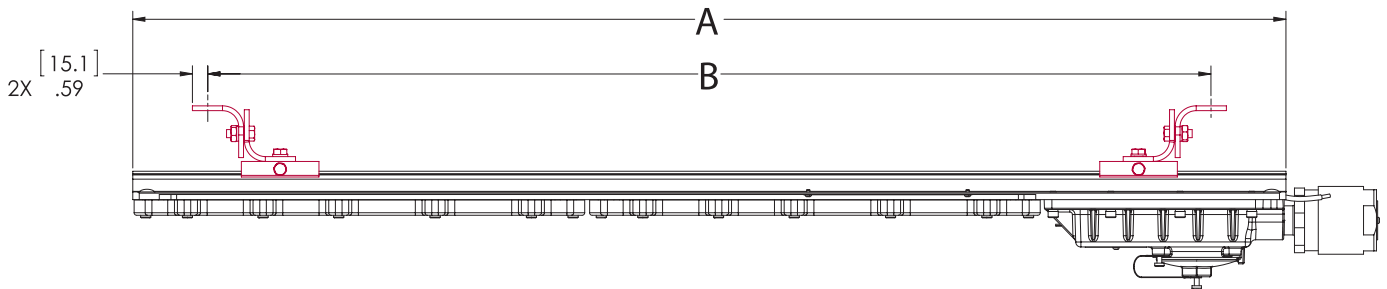
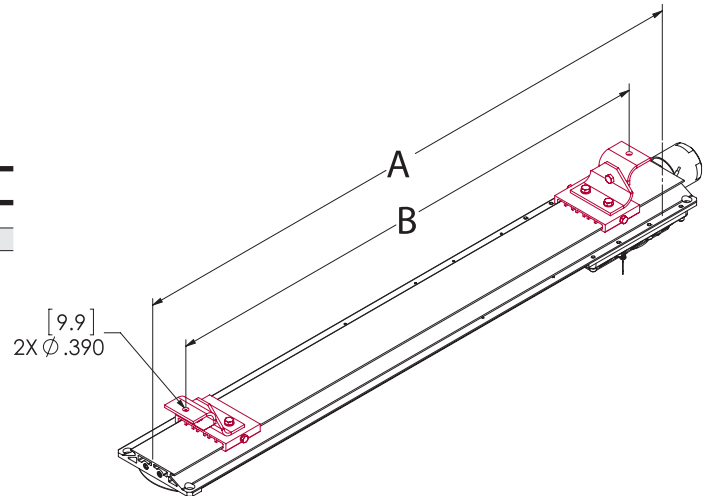
2L

Mounting options:

Ceiling/swivel mount
ZP1050MTK



Length	ZPLA2		ZPLA4	
	in.	mm.	in.	mm.
A	27.0	685.0	44.6	1133.0
B	12-29	222-750	18-47	222-1194



Pauluhn ZPLA explosionproof LED luminaires

For drilling and marine applications

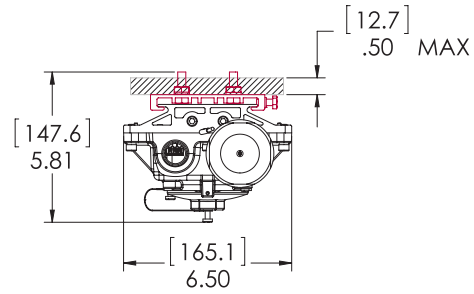
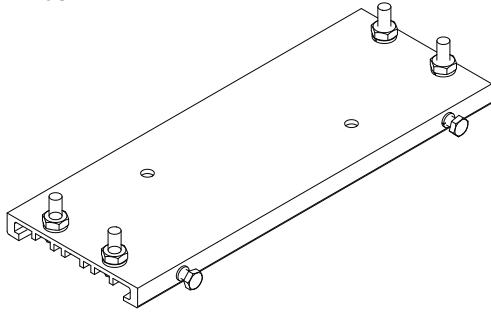
Cl. I, Div. 1, Groups C, D
Cl. II, Div. 1, Groups E, F, G
Cl. III

UL Listed
CSA Certified
Marine & Wet Locations
NEMA 4X; IP66

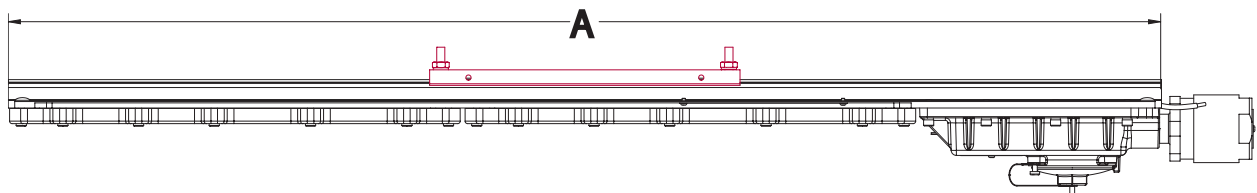
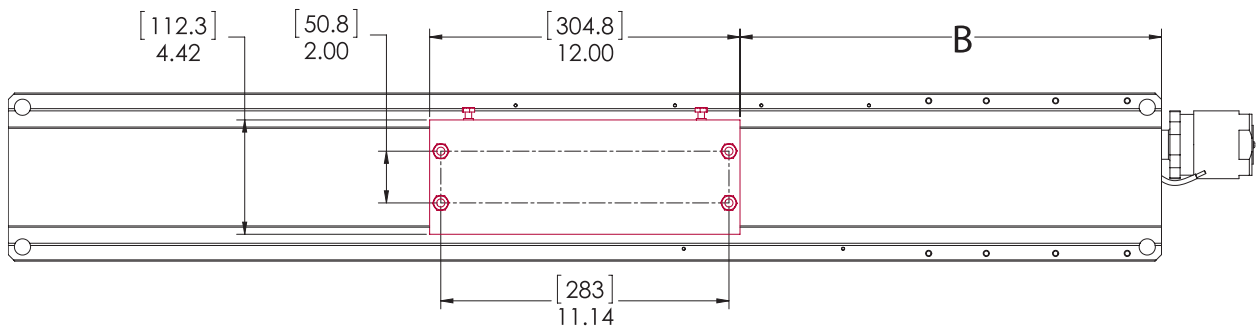
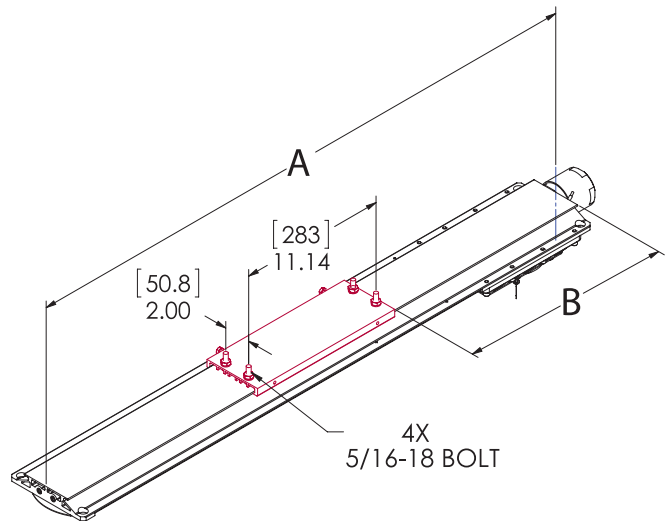
2L

2L Mounting options (continued):

Flush ceiling
ZP1057MTK



Length	ZPLA2		ZPLA4	
	in.	mm.	in.	mm.
A	27.0	685.0	44.6	1133.0
B	7.5	190.0	16.3	414.0



Pauluhn ZPLA explosionproof LED luminaires

For drilling and marine applications

Cl. I, Div. 1, Groups C, D
Cl. II, Div. 1, Groups E, F, G
Cl. III

UL Listed
CSA Certified
Marine & Wet Locations
NEMA 4X; IP66

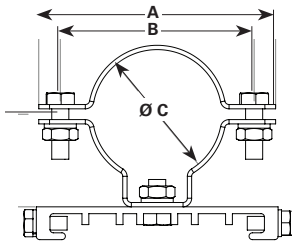
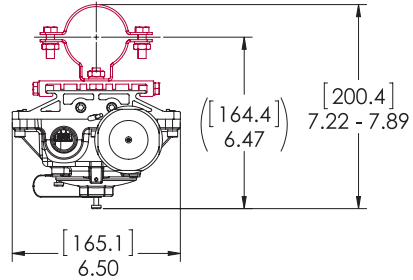
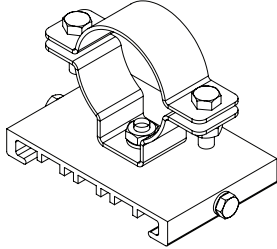
2L

2L

Mounting options (continued):

Pole mount

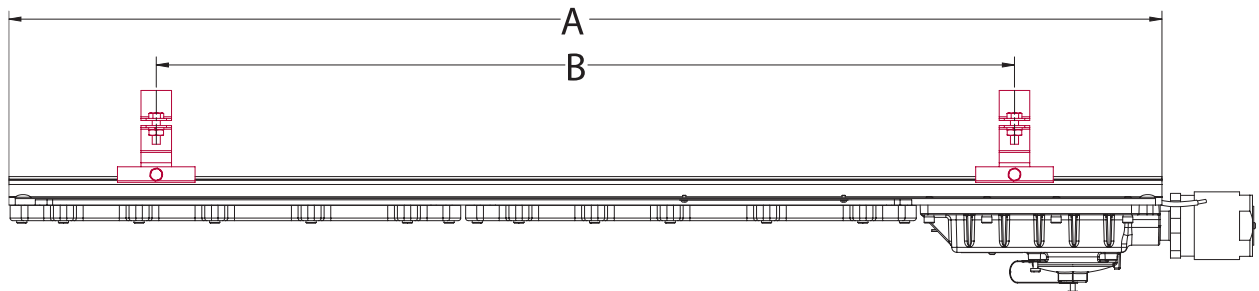
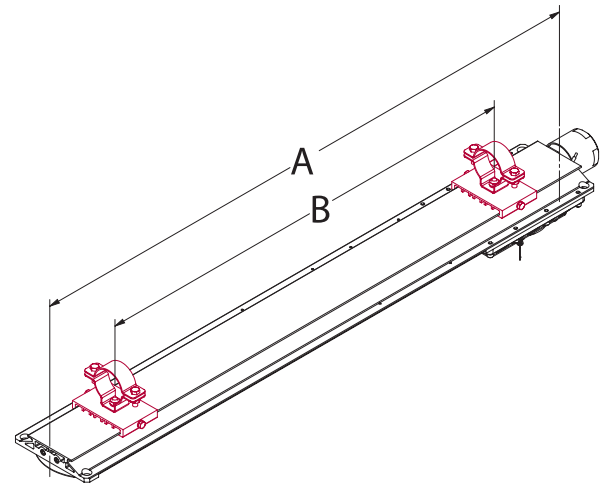
PM KIT 1.25/1.5/2.0



ALL MEASUREMENTS IN INCHES

Configuration	A	B	C	D
PM KIT 1.25	4.331	3.543	1.680	1.693
PM KIT 1.5	3.740	2.953	2.000	1.535
PM KIT 2.0	3.386	2.598	2.360	1.378

Length	ZPLA2		ZPLA4	
	in.	mm.	in.	mm.
A	27.0	685.0	44.6	1133.0
B	12.0 - 24.0	305.0 - 610.0	18.0 - 41.6	610.0 - 1056.0



Pauluhn ZPLA

explosionproof LED luminaires with battery back-up

Cl. I, Div. 1, Groups C, D
Cl. II, Div. 1, Groups E, F, G
Cl. III

UL Listed
CSA Certified
Wet Locations
Type 4X; IP66

2L

2L

Applications:

- Explosionproof rated indoor and outdoor egress and emergency lighting for areas requiring uninterrupted lighting during power failure

Features:

- Operating ambient: -20°C to +40°C
- 90-minute minimum run time in emergency mode
- 7,513 lumen output (784 in emergency mode)
- 60,000 hours rated life at 40°C
- IP66 rated enclosure with NiCad batteries
- Provision of LED indicator and manual test switch to check battery operation
- Epoxy painted powder coated housing
- 1 year warranty

Certifications and compliances:

NEC/CEC:

- Class I, Division 1, Groups C, D
- Class II, Division 1, Groups E, F, G
- Class III
- Wet locations, Type 4X, IP66

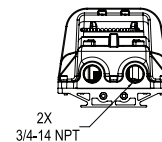
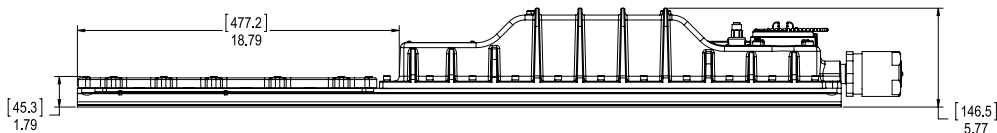
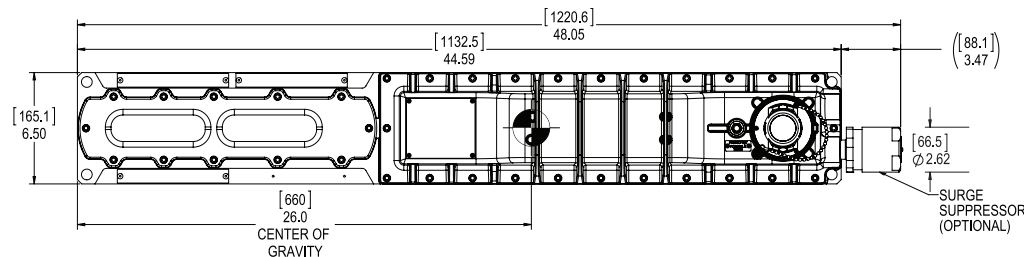
UL standards:

- UL50E – Enclosures for Electrical Equipment, Environmental Considerations
- UL844 – Electrical Fixture Hangers for Hazardous Locations
- UL924 – Emergency Lighting and Power Equipment
- UL1598 – Luminaires
- UL1598A – Luminaire for Installation on Marine Vessels
- UL8750 – Standard for Light Emitting Diode (LED) Equipment for use in Lighting Products

CSA standard:

- CSA C22.2 Nos. 137, 141

Dimensions:



Ordering information:

Model	EM output	Normal output	Weight (lbs.)
ZPLA4-UNV1-EM-P	784 lumens	7,513 (100-277V)	37.8

Electrical ratings:

UNV1	Input power (watts)	Input amps at 120-277 VAC
ZPLA4 EM P	73.2	0.61 - 0.73
Voltage range, VAC		120-277V at 50/60 Hz
Power factor		≥0.90
THD		≤15%