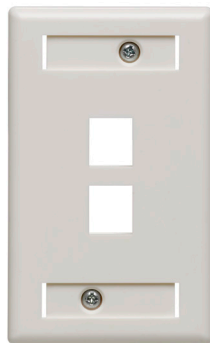


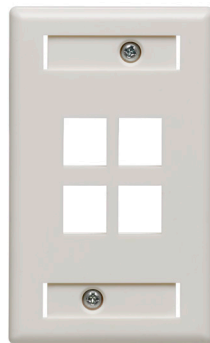
## Single-Gang QuickPlate® Tempo Wallplates with ID Windows

### APPLICATION

Leviton patented Single-Gang QuickPlate Tempo Wallplates accept QuickPort® snap-in modules to support multimedia station applications. They are ideal for use where port designation windows in a one-piece, single-gang, economical flush-mount housing is desired. Wallplates are available with two or four ports and in five colors (white, light almond, ivory, grey, and black).



42090-2xS



42090-4xS



Rear View

### SPECIFICATION

The wallplate housing shall be a one-piece, single-gang flush-mount style. It shall be available in 2- or 4-port configurations. It shall accept all Leviton QuickPort connectors. Wallplate shall feature clear port ID windows. Wallplate shall connect to the wallboard using Leviton patented design and arm members. It shall be made of high-impact, fire-retardant plastic rated UL 94V-0, and be cULus Listed and compliant with ANSI/TIA-568-C.0 specifications.

### FEATURES

- Patented rear wings tighten to wallboard, eliminating the need for a box or mounting brackets and supporting fast, one-step installation with a flush mount
- Wings accommodate 5/8 inch and under wallboard thickness
- Center lines included as a guide for easy alignment
- ID windows act as marking template for cutting hole in wallboard
- Includes ID designation window for each wallplate
- Patented Design (US Patent 7468487)
- Compatible with all individual QuickPort connectors
- Individual port configurability allows specification flexibility

### DESIGN CONSIDERATIONS

- Matches Leviton standard wallplate dimension
- Use blanks (41084-BxB) in unused ports for future expansion
- To identify ports, use different colored connectors for each application or Leviton pre-printed Port Designation Labels (41080-LEB)

### STANDARDS COMPLIANCE

- cULus Listed (UL 1863 & CAN/CSA-C22.2 No. 182.4)
- ANSI/TIA-568-C.0

### PHYSICAL SPECIFICATIONS

- Dimensions: See page two  
Materials: High-impact, fire-retardant plastic rated UL 94V-0  
Capacity: Available in 2 or 4 ports  
Mounting: Screws

### COUNTRY OF ORIGIN

USA

### WARRANTY INFORMATION

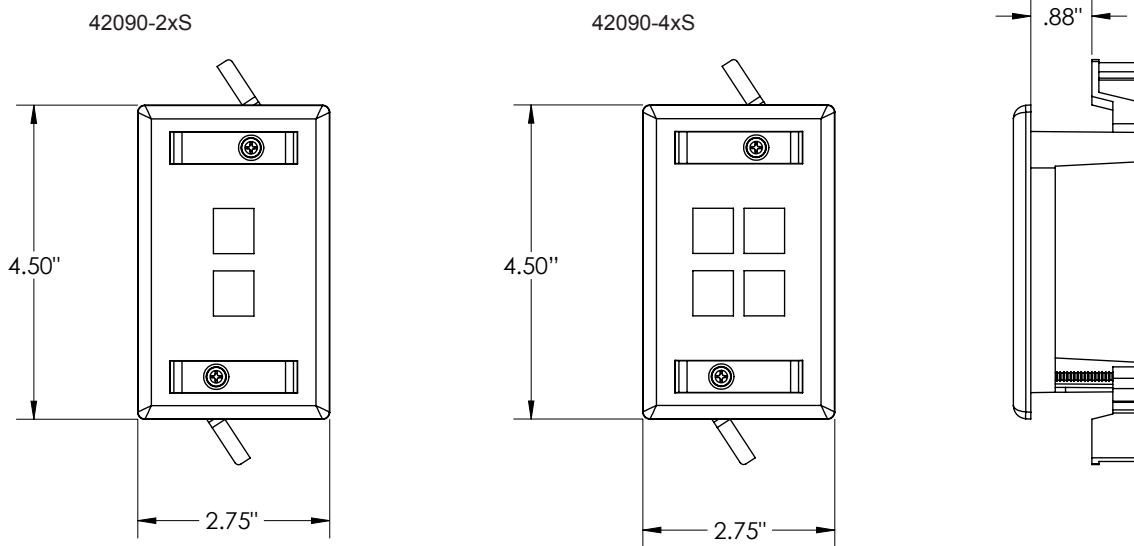
For a copy of Leviton product warranties, visit [www.leviton.com/warranty](http://www.leviton.com/warranty).

42090-xxS

**ELECTRONIC FILES**

For CAD files, typical specs, or technical drawings (.DXF, .DWG), visit [www.leviton.com](http://www.leviton.com).

**42090-xxS**



**PART NUMBERS**

Description	White	Lt. Almond	Ivory	Grey	Black
Single-Gang QuickPlate® Tempo Wallplate with ID Windows, 2 ports	42090-2WS	42090-2TS	42090-2IS	42090-2GS	42090-2ES
Single-Gang QuickPlate® Tempo Wallplate with ID Windows, 4 ports	42090-4WS	42090-4TS	42090-4IS	42090-4GS	42090-4ES



**Leviton Network Solutions**  
2222 - 222nd St. SE  
Bothell, WA 98021-4416

**Asia / Pacific**  
T +1.631.812.6228  
E [infoasean@leviton.com](mailto:infoasean@leviton.com)

**Canada**  
T +1.514.954.1840  
E [pcservice@leviton.com](mailto:pcservice@leviton.com)

**Caribbean**  
T +1.954.593.1896  
E [infocaribbean@leviton.com](mailto:infocaribbean@leviton.com)

**China**  
T +852.2774.9876  
E [infochina@leviton.com](mailto:infochina@leviton.com)

**Colombia**  
T +57.1.743.6045  
E [infocolombia@leviton.com](mailto:infocolombia@leviton.com)

tel 1-800-824-3005  
tel +1-425-486-2222  
[appeng@leviton.com](mailto:appeng@leviton.com)  
[www.leviton.com](http://www.leviton.com)

**Europe**  
T +33.6.8869.1380  
E [infoeurope@leviton.com](mailto:infoeurope@leviton.com)

**India / SAARC**  
T +971.4.886.4722  
E [infoindia@leviton.com](mailto:infoindia@leviton.com)

**Mexico**  
T +52.55.5082.1040  
E [lsamarketing@leviton.com](mailto:lsamarketing@leviton.com)

**Middle East & Africa**  
T +971.4.886.4722  
E [lmeinfo@leviton.com](mailto:lmeinfo@leviton.com)

**South Korea**  
T +82.2.3273.9963  
E [infokorea@leviton.com](mailto:infokorea@leviton.com)