

PERIMALITER II® AND PERIMASHIELD II® INSTALLATION INSTRUCTIONS PGL-PGS-B



See warnings on carton.

WARNINGS:

- Read and follow the lamp manufacturer's warning and use information before installing or relamping this light fixture.
- Disconnect power before installation or servicing.
- Install, operate and maintain to meet all applicable codes.
- Protect all wiring connections with approved insulators (by others).
- Selected fixture voltage must match supply line voltage.

GENERAL INFORMATION, JUNCTION BOX MOUNT:

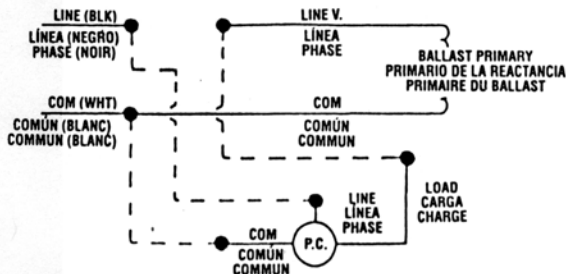
- Allow 6" (152.4 mm) minimum supply wire outside of junction box.
- Use two 5/16" (7.925 mm) dia. min. hardware (by others) to mount fixture.

GENERAL INFORMATION, CONDUIT MOUNT:

- Allow 12" (304.8 mm) minimum supply wire outside of conduit.
- Use two 5/16" (7.925 mm) dia. min. hardware (by others) to mount fixture.
- Housing conduit threads are 1/2-14 NPS.
- Use a waterproof pipe joint compound (by others) for all entries into housing.
- Plug all unused entries into housing.

GENERAL INFORMATION: INSTALLATION INSTRUCTIONS - PHOTOCONTROL

1. Remove retaining screws (4) and remove reflector assembly (3).
2. Remove upper 1/2-14 NPS conduit plug (10).
3. Install (PBT) Photocell gasket and insert photocell from inside thru housing and extending outward as far as possible. Secure with black plastic nut.
4. Select ballast voltage lead which matches supply voltage and connect to red lead from photocell.
5. Connect Supply voltage lead to black lead from photocell.
6. Connect Common from photocell. Common lead from ballast and Supply Common lead together.
7. Connect Green ground lead from fixture to Supply Ground lead.
8. Protect all unused leads having exposed wire with approved insulators.
9. Replace reflector assembly (3) and retaining screws (4).
10. Close refractor door and secure with two screws (1).



JUNCTION BOX MOUNT: (See Figures 1 and 2)

1. Loosen lens retaining screws (1) and remove lens.
2. Remove retaining screws (4) and remove reflector assembly (3).
3. Drill or knockout two 3/8" (9.525 mm) holes at boss locations (6) on casting.
4. Locate and drill mounting holes using template provided.
5. Mount fixture to wall.
6. Loosen access cover screw (7) and swing cover (8) open.
7. Make wiring connections. Push wires and connections into junction box.
8. Make sure that ends of unused voltage leads are capped.
9. Swing access cover shut. Do not pinch wiring. Tighten retaining screw.
10. Replace reflector assembly (3) and retaining screws (4).
11. Remove clear adhesive cover from reflector and discard. Tighten retaining screws.
12. Install lamp.
13. Replace lens and tighten retaining screws (1).

CONDUIT MOUNT: (See Figures 1 and 2)

1. Follow steps 1-5 listed above.
2. Loosen raceway cover retaining screw (12) and remove raceway cover (5).
3. Thread conduit to fixture.
4. Make wiring connections. Place all connections in raceway area (5).
5. Make sure that ends of unused voltage leads are capped.
6. Replace raceway cover and tighten retaining screw.
7. Follow steps 10-13 listed above.

ADJUSTABLE OPTICS: (See Figure 3)

The PERIMASHIELD® features adjustable cutoff. The adjustment can be made by:

1. Remove the (2) black cutoff shield retaining screws (2).
2. Lift off black cutoff shield (9).
3. Loosen socket retaining screws (11).
4. Reposition socket.
5. Tighten socket retaining screws.
6. Re-install black cutoff shield and retaining screws.

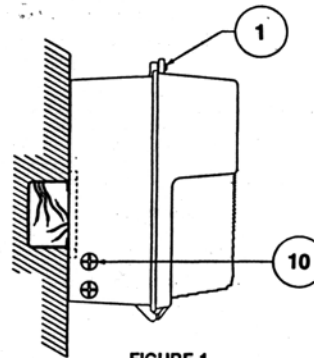
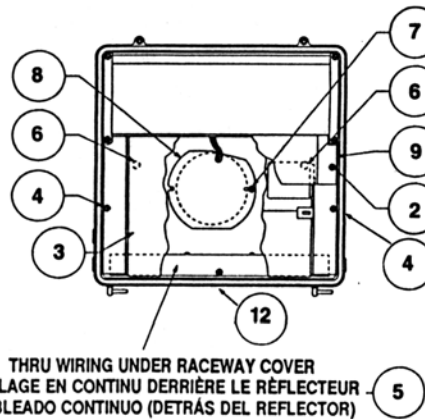


FIGURE 1
FIGURA 1



THRU WIRING UNDER RACEWAY COVER
CÂBLAGE EN CONTINU DERRIÈRE LE RÉFLECTEUR
CABLEADO CONTINUO (DETRÁS DEL REFLECTOR)

FIGURE 2
FIGURA 2

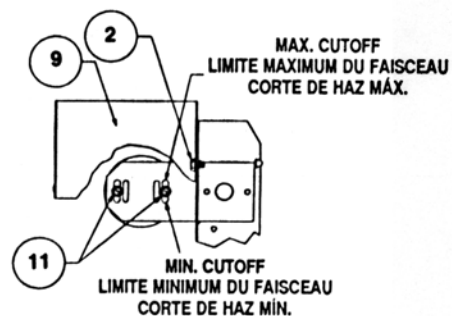
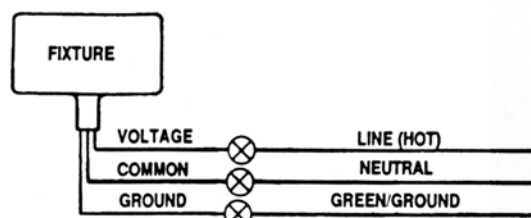


FIGURE 3
FIGURA 3



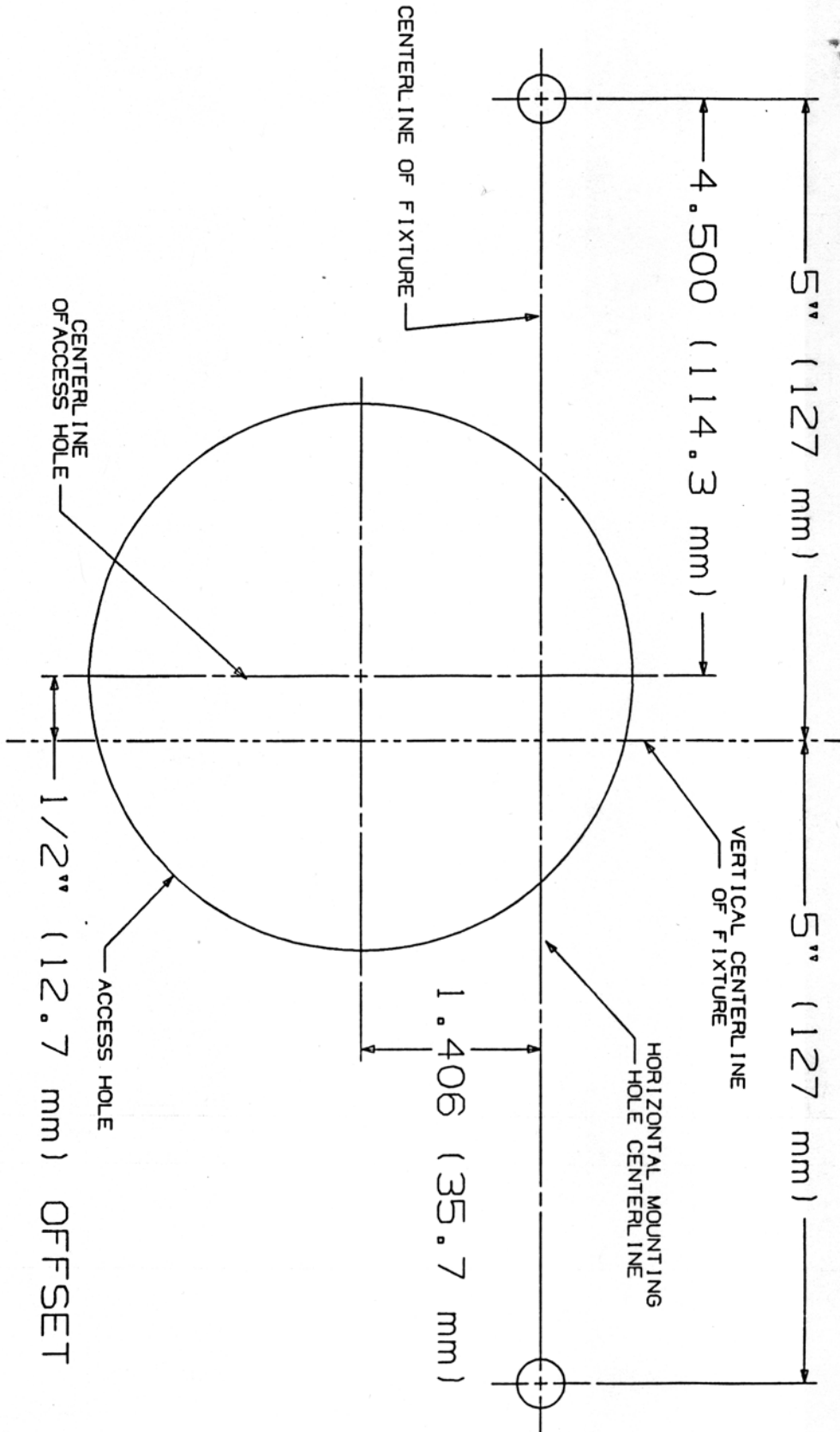
WIRING DIAGRAM



Hubbell Lighting, Inc.
A Subsidiary of Hubbell Incorporated
2000 Electric Way
Christiansburg, VA 24073-2500
(540) 382-6111
FAX (540) 382-1526

268-1108-9901

NOT TO SCALE



Hubbell Lighting, Inc.
A Subsidiary of Hubbell Incorporated
2000 Electric Way
Christiansburg, VA 24073-2500
(540) 382-6111
FAX (540) 382-1526