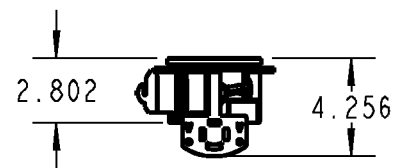
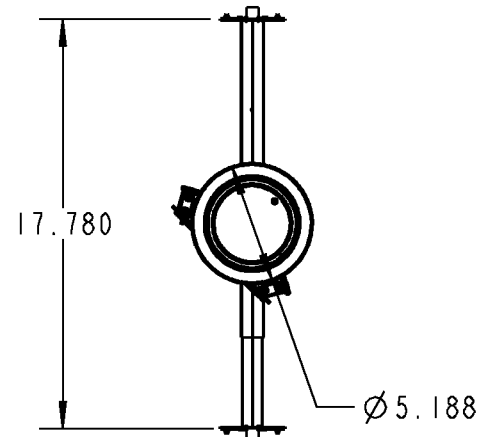



BOX ASSEMBLY INCLUDES FOLLOWING ITEMS:
 FN SERIES VAPOR-TIGHT CFB
 TAPE-FOAM FOR VAPOR -TIGHT BOX
 PLASTIC LID
 POLYBAG-HARDWARE



NOTES:

1. USE FN-CFB FAN BOX, 26 CUBIC INCHES.
2. SUPPORT FAN AND FIXTURES BETWEEN JOISTS SPACED 16" TO 24".
3. UL FAN LOAD RATING: 35 LB UP TO 24" SPAN.
4. UL FIXTURE LOAD RATING: 50 LB UP TO 24" SPAN.

CATALOG NO:
FN-CFB-HB

GENERAL NOTES		 A Member of the ABB Group			
1. ALL DIMENSIONS ARE FOR REFERENCE ONLY. 2. DIMENSIONS IN BRACKETS [] ARE IN METRIC UNITS.					
REVISIONS		DESCRIPTION:			
- SEE ERN (****) FOR APPROVAL SIGNATURES & RELEASE DATE. PROJECT NO: ****		DRAFT TIGHT CFB BAR HANGER			
		ORIGINAL PROJECT NO / (ERN NO)	SHEET NO:	REV. NO:	DRAWING NO:
		233D000433 / (2016590)	1 OF 1	-	WSD-001517