

**EXTRA-DEEP PUSHBUTTON ENCLOSURES, TYPE 4**

**APPLICATION**

Extra-Deep Pushbutton Enclosures, designed to hold 30.5-mm and 22.5-mm pushbuttons and switches, feature stainless steel screws and a high-performance polyurethane gasket to meet Type 4 environmental protection rating. A depth of 4.75 (121 mm) accommodates additional pushbutton contact blocks.

**SPECIFICATIONS**

- 16 or 14 gauge steel
- Seams continuously welded and ground smooth
- Captivated stainless steel cover screws thread into sealed wells
- Grounding stud on body
- Bonding provision on cover
- High-performance polyurethane gasket
- Factory stamped 4-way pushbutton holes
- Enclosures 6.00 x 4.00 x 5.00 in. (152 x 102 x 127 mm) and larger have internal detachable hinge to hold cover open during wiring, yet permit immediate removal
- 30.5-mm or 22.5-mm size holes
- External wall-mounting brackets

**FINISH**

ANSI 61 gray polyester powder paint inside and out

**ACCESSORIES**

HOL-SEALERS Hole Seals  
Tamper-Resistant Screws

**BULLETIN: PB1**

**INDUSTRY STANDARDS**

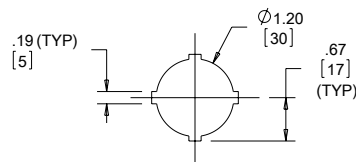
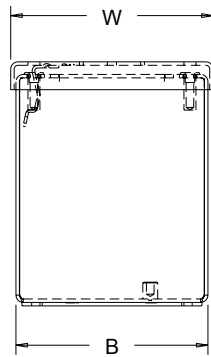
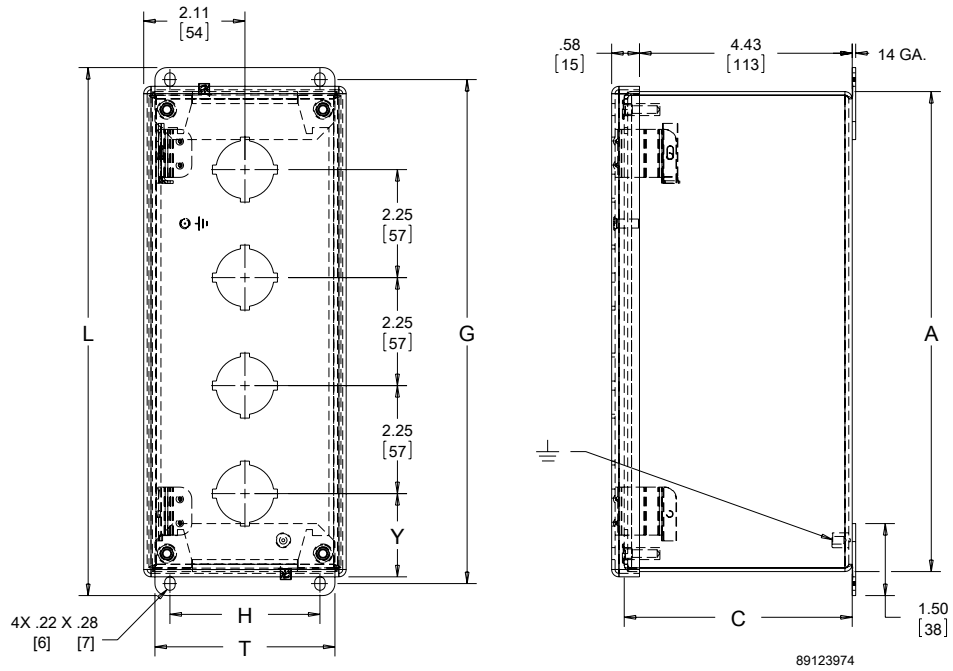
UL 508A Listed; Type 4, 12; File No. E61997  
cUL Listed per CSA C22.2 No. 94; Type 4, 12; File No. E61997

NEMA/EEMAC Type 4, 12

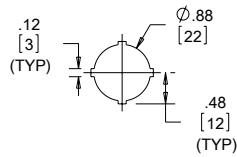
CSA File Number 42186: Type 4, 12  
IEC 60529, IP66

**Standard Product**

Catalog Number	AxBxC in.	AxBxC mm	Hole Size	No. of Holes	Gauge	Mounting GxH (in.)	Mounting GxH (mm)	Overall LxW (in.)	Overall LxW (mm)	T (in.)	T (mm)	Y (in.)	Y (mm)
E1PBX4	4.00 x 4.00 x 4.75	102 x 102 x 121	30.5 mm	1	16	4.50 x 3.12	114 x 79	5.00 x 4.22	127 x 107	3.75	95	2.11	54
E1PBXM4	4.00 x 4.00 x 4.75	102 x 102 x 121	22.5 mm	1	16	4.50 x 3.12	114 x 79	5.00 x 4.22	127 x 107	3.75	95	2.11	54
E2PBX4	6.00 x 4.00 x 4.75	153 x 102 x 121	30.5 mm	2	14	6.50 x 3.12	165 x 79	7.00 x 4.22	178 x 107	3.75	95	1.98	50
E2PBXM4	6.00 x 4.00 x 4.75	153 x 102 x 121	22.5 mm	2	14	6.50 x 3.12	165 x 79	7.00 x 4.22	178 x 107	3.75	95	1.98	50
E3PBX4	8.00 x 4.00 x 4.75	204 x 102 x 121	30.5 mm	3	14	8.50 x 3.12	216 x 79	9.00 x 4.22	229 x 107	3.75	95	1.98	47
E3PBXM4	8.00 x 4.00 x 4.75	204 x 102 x 121	22.5 mm	3	14	8.50 x 3.12	216 x 79	9.00 x 4.22	229 x 107	3.75	95	1.98	47
E4PBX4	10.00 x 4.00 x 4.75	254 x 102 x 121	30.5 mm	4	14	10.50 x 3.12	267 x 79	11.00 x 4.22	279 x 107	3.75	95	1.73	44
E4PBXM4	10.00 x 4.00 x 4.75	254 x 102 x 121	22.5 mm	4	14	10.50 x 3.12	267 x 79	11.00 x 4.22	279 x 107	3.75	95	1.73	44



30.5mm 4-WAY



22.5mm 4-WAY

