

INDUSTRIAL PACKAGES, TYPE 12

INDUSTRY STANDARDS

UL 508A Listed; Type 12; File Number E61997

NEMA/EEMAC Type 12
 CSA File Number 42186; Type 12
 VDE IP55
 IEC 60529, IP55

APPLICATION

ProLine G2 Industrial Packages are full-featured, ready-to-use enclosure solutions that make it unnecessary to order each component separately. For convenience, a single part number includes a frame, solid door(s), handle and key lock, a solid top, a solid rear cover, a full mounting subpanel, a gland plate, and four lifting eyes. Side covers ordered separately to accommodate joining/baying applications.

FEATURES

(Refer to separate specifications for more complete details of individual components)

- 12 gauge, roll-formed steel frame with welded steel corners and hybrid frame profile for superior performance under load
- Large galvanized mounting subpanel
- EZ-Load Glide Blocks, which accommodate five loading methods
- Smooth glide latching system for a solid seal with a low closure force
- Galvanized Duro-Stand gland plate
- Wide range of standard size options
- 'E' version (right-hinged and double-bit insert key lock)

SPECIFICATIONS

(Refer to separate specification sheets for more complete details of individual components)

Frame

- 12-gauge (2.5 mm) roll formed steel frame, fully welded corners, hybrid profile
- Accommodate the 25-mm DIN standard and include rectangular and round holes

Gasket

- Seamless polyurethane gasket provides a watertight, dust-tight seal against moisture and contaminants
- UL component recognized, CSA compliant
- Sealed mounting for all external accessories

Doors

- Door bar system on all doors (including window doors)
- Single/primary door includes 3-point roller latch system with timed latch engagement for enclosures ≥ 1000 mm in height
- 2-door enclosures include overlapping double doors to provide full-width open front; secondary door latches with two levers
- Reversible hinging on single doors (default left hinge)
- Reversible hinging on overlapping double doors (default right door primary door)
- Two grounding studs
- Low-Profile Swing Handle with key lock on standard versions; double bit lock on 'E' versions. Other options available.

Mounting subpanel

- Includes EZ-Load Mounting Blocks, which accommodate five loading options: vertical front, vertical side, vertical rear, horizontal front (frame over subpanel), horizontal rear (subpanel lowered into frame)
- Subpanel is securely fastened to the top and bottom of the frame. Enclosures less than 1200 mm tall use 4 sets of EZ-Load Glide Blocks. Enclosures 1200 mm tall or greater use 8 sets of glide blocks for a well secured subpanel.
- Depth adjustable, accommodates back-to-back subpanels
- Galvanized full subpanel default; painted subpanel available

EMC Industrial Packages – Additional Specifications:

- Plated to provide corrosion resistance while maintaining a metal-to-metal contact with the metal fiber gasket
- Metalized non-woven fabric EMI/RFI material covering UL94HP rated urethane foam gasket
- Plating exposed in interior and paint over plated exterior
- All plated accessories electrically bonded to frame
- Longer lead times required for EMC items

FINISH

- Polyester powder paint; RAL 7035 textured light gray standard
- Custom colors available

ACCESSORIES

- Side Cover
- Side Door Adaptor
- Full Subpanel (Rear or Side)
- Partial Subpanel and Side-Mount Panel
- Panel Support Bracket
- Joining Subpanel
- Grid Strap Network (Rail System)
- Center Upright
- Support Bracket Kit
- Plinth Base
- Fully-Sealed Plinth Base
- Caster Kit
- Frame Joining Kits
- Joining Kit Support Bracket
- Dust Cover
- Flush Swing Handles
- Steel Data Pocket
- 19-Inch Rack Angles
- Pagoda Top
- Lifting Angles
- Barrier Panel
- Mechanical Interlock
- ProLine Grounding Kit

BULLETIN: P41

Standard Product **Left-Hinged**

Catalog Number	AxBxC mm/in.	H mm/in.	W mm/in.	D mm/in.	Max. Subpanel HxW mm/in.	No. of Doors	Max. Rack Mount Units	Description
P2K664	602 x 608 x 405 23.70 x 23.92 x 15.94	600 23.6	600 23.6	400 15.7	506x528 19.9x20.8	1	8	Key Lock
P2K666	602 x 608 x 605 23.70 x 23.92 x 23.82	600 23.6	600 23.6	600 23.6	506x528 19.9x20.8	1	8	Key Lock
P2K688	602 x 808 x 805 23.70 x 31.80 x 31.69	600 23.6	800 31.5	800 31.5	506x728 19.9x28.7	1	8	Key Lock
P2K866	802 x 608 x 605 31.57 x 23.92 x 23.82	800 31.5	600 23.6	600 23.6	706x528 27.8x20.8	1	13	Key Lock
P2K888	802 x 808 x 805 31.57 x 31.80 x 31.69	800 31.5	800 31.5	800 31.5	706x728 27.8x28.7	1	13	Key Lock
P2K1064	1002 x 608 x 405 39.45 x 23.92 x 15.94	1000 39.4	600 23.6	400 15.7	906x528 35.7x20.8	1	18	Key Lock
P2K1065	1002 x 608 x 505 39.45 x 23.92 x 19.88	1000 39.4	600 23.6	500 19.7	906x528 35.7x20.8	1	18	Key Lock
P2K1066	1002 x 608 x 605 39.45 x 23.92 x 23.82	1000 39.4	600 23.6	600 23.6	906x528 35.7x20.8	1	18	Key Lock
P2K1085	1002 x 808 x 505 39.45 x 31.80 x 19.88	1000 39.4	800 31.5	500 19.7	906x728 35.7x28.7	1	18	Key Lock
P2K1086	1002 x 808 x 605 39.45 x 31.80 x 23.82	1000 39.4	800 31.5	600 23.6	906x728 35.7x28.7	1	18	Key Lock
P2K1088	1002 x 808 x 805 39.45 x 31.80 x 31.69	1000 39.4	800 31.5	800 31.5	906x728 35.7x28.7	1	18	Key Lock
P2K1264	1202 x 608 x 405 47.32 x 23.92 x 15.94	1200 47.2	600 23.6	400 15.7	1106x528 43.5x20.8	1	23	Key Lock
P2K1265	1202 x 608 x 505 47.32 x 23.92 x 19.88	1200 47.2	600 23.6	500 19.7	1106x528 43.5x20.8	1	23	Key Lock
P2K1266	1202 x 608 x 605 47.32 x 23.92 x 23.82	1200 47.2	600 23.6	600 23.6	1106x528 43.5x20.8	1	23	Key Lock
P2K1285	1202 x 808 x 505 47.32 x 31.80 x 19.88	1200 47.2	800 31.5	500 19.7	1106x728 43.5x28.7	1	23	Key Lock
P2K1286	1202 x 808 x 605 47.32 x 31.80 x 23.82	1200 47.2	800 31.5	600 23.6	1106x728 43.5x28.7	1	23	Key Lock
P2K1288	1202 x 808 x 805 47.32 x 31.80 x 31.69	1200 47.2	800 31.5	800 31.5	1106x728 43.5x28.7	1	23	Key Lock
P2KOD12125	1202 x 1208 x 505 47.32 x 47.54 x 19.88	1200 47.2	1200 47.2	500 19.7	1106x1128 43.5x44.4	2	23	Key Lock
P2K1465	1402 x 608 x 505 55.20 x 23.92 x 19.88	1400 55.1	600 23.6	500 19.7	1306x528 51.4x20.8	1	28	Key Lock
P2K1466	1402 x 608 x 605 55.20 x 23.92 x 23.82	1400 55.1	600 23.6	600 23.6	1306x528 51.4x20.8	1	28	Key Lock
P2K1466HF	1402 x 608 x 605 55.20 x 23.92 x 23.82	1400 55.1	600 23.6	600 23.6	1306x528 51.4x20.8	1	28	EMC, Key Lock
P2K1485	1402 x 808 x 505 55.20 x 31.80 x 19.88	1400 55.1	800 31.5	500 19.7	1306x728 51.4x28.7	1	28	Key Lock
P2K1486	1402 x 808 x 605 55.20 x 31.80 x 23.82	1400 55.1	800 31.5	600 23.6	1306x728 51.4x28.7	1	28	Key Lock
P2K1488	1402 x 808 x 805 55.20 x 31.80 x 31.69	1400 55.1	800 31.5	800 31.5	1306x728 51.4x28.7	1	28	Key Lock
P2KOD14125	1402 x 1208 x 505 55.20 x 47.54 x 19.88	1400 55.1	1200 47.2	500 19.7	1306x1128 51.4x44.4	2	28	Key Lock
P2K1664	1602 x 608 x 405 63.07 x 23.92 x 15.94	1600 63.0	600 23.6	400 15.9	1506x528 59.3x20.8	1	33	Key Lock
P2K1665	1602 x 608 x 505 63.07 x 23.92 x 19.88	1600 63.0	600 23.6	500 19.7	1506x528 59.3x20.8	1	33	Key Lock
P2K1666	1602 x 608 x 605 63.07 x 23.92 x 23.82	1600 63.0	600 23.6	600 23.6	1506x528 59.3x20.8	1	33	Key Lock
P2K1668	1602 x 608 x 805 63.07 x 23.92 x 31.69	1600 63.0	600 23.6	800 31.5	1506x528 59.3x20.8	1	33	Key Lock
P2K1684	1602 x 808 x 405 63.07 x 31.80 x 15.94	1600 63.0	800 31.5	400 15.7	1506x728 59.3x28.7	1	33	Key Lock
P2K1685	1602 x 808 x 505 63.07 x 31.80 x 19.88	1600 63.0	800 31.5	500 19.7	1506x728 59.3x28.7	1	33	Key Lock
P2K1686	1602 x 808 x 605 63.07 x 31.80 x 23.82	1600 63.0	800 31.5	600 23.6	1506x728 59.3x28.7	1	33	Key Lock
P2K1688	1602 x 808 x 805 63.07 x 31.80 x 31.69	1600 63.0	800 31.5	800 31.5	1506x728 59.3x28.7	1	33	Key Lock
P2KOD16124	1602 x 1208 x 405 63.07 x 47.54 x 15.94	1600 63.0	1200 47.2	400 15.7	1506x1128 59.3x44.4	2	33	Key Lock
P2KOD16125	1602 x 1208 x 505 63.07 x 47.54 x 19.88	1600 63.0	1200 47.2	500 19.7	1506x1128 59.3x44.4	2	33	Key Lock
P2KOD16126	1602 x 1208 x 605 63.07 x 47.54 x 23.82	1600 63.10	1200 47.2	600 23.6	1506x1128 59.3x44.4	2	33	Key Lock
P2KOD16128	1602 x 1208 x 805 63.07 x 47.54 x 31.69	1600 63.0	1200 47.2	800 31.5	1506x1128 59.3x44.4	2	33	Key Lock
P2KOD16164	1602 x 1608 x 405 63.07 x 63.29 x 15.94	1600 63.0	1600 63.0	400 15.7	1506x1528 59.3x60.2	2	33	Key Lock
P2KOD16165	1602 x 1608 x 505 63.07 x 63.29 x 19.88	1600 63.0	1600 63.0	500 19.7	1506x1528 59.3x60.2	2	33	Key Lock
P2KOD16166	1602 x 1608 x 605 63.07 x 63.29 x 23.82	1600 63.0	1600 63.0	600 23.6	1506x1528 59.3x60.2	2	33	Key Lock
P2KOD16168	1602 x 1608 x 805 63.07 x 63.29 x 31.69	1600 63.0	1600 63.0	800 31.5	1506x1528 59.3x60.2	2	33	Key Lock

Catalog Number	AxBxC mm/in.	H mm/in.	W mm/in.	D mm/in.	Max. Subpanel HxW mm/in.	No. of Doors	Max. Rack Mount Units	Description
P2K1845	1802 x 408 x 505	1800	400	500	1706x328	1	38	Key Lock
	70.94 x 16.05 x 19.88	70.9	15.7	19.7	67.2x12.9			
P2K1846	1802 x 408 x 605	1800	400	600	1706x328	1	38	Key Lock
	70.94 x 16.05 x 23.82	70.9	15.7	23.6	67.2x12.9			
P2K1864	1802 x 608 x 405	1800	600	400	1706x528	1	38	Key Lock
	70.94 x 23.92 x 15.94	70.9	23.6	15.7	67.2x20.8			
P2K1865	1802 x 608 x 505	1800	600	500	1706x528	1	38	Key Lock
	70.94 x 23.92 x 19.88	70.9	23.6	19.7	67.2x20.8			
P2K1866	1802 x 608 x 605	1800	600	600	1706x528	1	38	Key Lock
	70.94 x 23.92 x 23.82	70.9	23.6	23.6	67.2x20.8			
P2K1866HF	1802 x 608 x 605	1800	600	600	1706x528	1		EMC, Key Lock
	70.94 x 23.92 x 23.82	70.9	23.6	23.6	67.2x20.8			
P2K1868	1802 x 608 x 805	1800	600	800	1706x528	1	38	Key Lock
	70.94 x 23.92 x 31.69	70.9	23.6	31.5	67.2x12.9			
P2K1884	1802 x 808 x 405	1800	800	400	1706x728	1	38	Key Lock
	70.94 x 31.80 x 15.94	70.9	31.5	15.7	67.2x28.7			
P2K1885	1802 x 808 x 505	1800	800	500	1706x728	1	38	Key Lock
	70.94 x 31.80 x 19.88	70.9	31.5	19.7	67.2x28.7			
P2KOD1885	1802 x 808 x 505	1800	800	500	1706x728	2	38	Key Lock
	70.94 x 31.80 x 19.88	70.9	31.5	19.7	67.2x28.7			
P2K1886	1802 x 808 x 605	1800	800	600	1706x728	1	38	Key Lock
	70.94 x 31.80 x 23.82	70.9	31.5	23.6	67.2x28.7			
P2KOD1886	1802 x 808 x 605	1800	800	600	1706x728	2	38	Key Lock
	70.94 x 31.80 x 23.82	70.9	31.5	23.6	67.2x28.7			
P2K1888	1802 x 808 x 805	1800	800	800	1706x728	1	38	Key Lock
	70.94 x 31.80 x 31.69	70.9	31.5	31.5	67.2x28.7			
P2K18104	1802 x 1008 x 405	1800	1000	400	1706x928	1	38	Key Lock
	70.94 x 39.67 x 15.94	70.9	39.4	15.7	67.2x36.5			
P2KOD18104	1802 x 1008 x 405	1800	1000	400	1706x928	2	38	Key Lock
	70.94 x 39.67 x 15.94	70.9	39.4	15.7	67.2x36.5			
P2K18105	1802 x 1008 x 505	1800	1000	500	1706x928	1	38	Key Lock
	70.94 x 39.67 x 19.88	70.9	39.4	19.7	67.2x36.5			
P2KOD18105	1802 x 1008 x 505	1800	1000	500	1706x928	2	38	Key Lock
	70.94 x 39.67 x 19.88	70.9	39.4	19.7	67.2x36.5			
P2K18106	1802 x 1008 x 605	1800	1000	600	1706x928	1	38	Key Lock
	70.94 x 39.67 x 23.82	70.9	39.4	23.6	67.2x36.5			
P2K18106HF	1802 x 1008 x 605	1800	1000	600	1706x928	1	38	EMC, Key Lock
	70.94 x 39.67 x 23.82	70.9	39.4	23.6	67.2x36.5			
P2KOD18106	1802 x 1008 x 605	1800	1000	600	1706x928	2	38	Key Lock
	70.94 x 39.67 x 23.82	70.9	39.4	23.6	67.2x36.5			
P2KOD18106HF	1802 x 1008 x 605	1800	1000	600	1706x928	2	38	EMC, Key Lock
	70.94 x 39.67 x 23.82	70.9	39.4	23.6	67.2x36.5			
P2K18108	1802 x 1008 x 805	1800	1000	800	1706x928	1	38	Key Lock
	70.94 x 39.67 x 31.69	70.9	39.4	31.5	67.2x36.5			
P2KOD18108	1802 x 1008 x 805	1800	1000	800	1706x928	2	38	Key Lock
	70.94 x 39.67 x 31.69	70.9	39.4	31.5	67.2x36.5			
P2KOD18124	1802 x 1208 x 405	1800	1200	400	1706x1128	2	38	Key Lock
	70.94 x 47.54 x 15.94	70.9	47.2	15.7	67.2x44.4			
P2KOD18125	1802 x 1208 x 505	1800	1200	500	1706x1128	2	38	Key Lock
	70.94 x 47.54 x 19.88	70.9	47.2	19.7	67.2x44.4			
P2KOD18126	1802 x 1208 x 605	1800	1200	600	1706x1128	2	38	Key Lock
	70.94 x 47.54 x 23.82	70.9	47.2	23.6	67.2x44.4			
P2KOD18128	1802 x 1208 x 805	1800	1200	800	1706x1128	2	38	Key Lock
	70.94 x 47.54 x 31.69	70.9	47.2	31.5	67.2x44.4			
P2KOD18164	1802 x 1608 x 405	1800	1600	400	1706x1528	2	38	Key Lock
	70.94 x 63.29 x 15.94	70.9	63.0	15.7	67.2x60.2			
P2KOD18165	1802 x 1608 x 505	1800	1600	500	1706x1528	2	38	Key Lock
	70.94 x 63.29 x 19.88	70.9	63.0	19.7	67.2x60.2			
P2KOD18166	1802 x 1608 x 605	1800	1600	600	1706x1528	2	38	Key Lock
	70.94 x 63.29 x 23.82	70.9	63.0	23.6	67.2x60.2			
P2KOD18168	1802 x 1608 x 805	1800	1600	800	1706x1528	2	38	Key Lock
	70.94 x 63.29 x 31.69	70.9	63.0	31.5	67.2x60.2			
P2KOD18185	1802 x 1808 x 505	1800	1800	500	1706x1728	2	38	Key Lock
	70.94 x 71.17 x 19.88	70.9	70.9	19.7	67.2x68.0			
P2KOD18186	1802 x 1808 x 605	1800	1800	600	1706x1728	2	38	Key Lock
	70.94 x 71.17 x 23.82	70.9	70.9	23.6	67.2x68.0			
P2KOD18188	1802 x 1808 x 805	1800	1800	800	1706x1728	2	38	Key Lock
	70.94 x 71.17 x 31.69	70.9	70.9	31.5	67.2x68.0			
P2K2045	2002 x 408 x 505	2000	400	500	1906x328	1	42	Key Lock
	78.82 x 16.05 x 19.88	78.7	15.7	19.7	75x12.9			
P2K2046	2002 x 408 x 605	2000	400	600	1906x328	1	42	Key Lock
	78.82 x 16.05 x 23.82	78.7	15.7	23.6	75x12.9			
P2K2064	2002 x 608 x 405	2000	600	400	1906x528	1	42	Key Lock
	78.82 x 23.92 x 15.94	78.7	23.6	15.7	75x20.8			
P2K2065	2002 x 608 x 505	2000	600	500	1906x528	1	42	Key Lock
	78.82 x 23.92 x 19.88	78.7	23.6	19.7	75x20.8			
P2K2066	2002 x 608 x 605	2000	600	600	1906x528	1	42	Key Lock
	78.82 x 23.92 x 23.82	78.7	23.6	23.6	75x20.8			
P2K2066HF	2002 x 608 x 605	2000	600	600	1906x528	1	42	EMC, Key Lock
	78.82 x 23.92 x 23.82	78.7	23.6	23.6	75x20.8			
P2K2068	2002 x 608 x 805	2000	600	800	1906x528	1	42	Key Lock
	78.82 x 23.92 x 31.69	78.7	23.6	31.5	75x20.8			
P2K2084	2002 x 808 x 405	2000	800	400	1906x728	1	42	Key Lock
	78.82 x 31.80 x 15.94	78.7	31.5	15.7	75x28.7			

Catalog Number	AxBxC mm/in.	H mm/in.	W mm/in.	D mm/in.	Max. Subpanel HxW mm/in.	No. of Doors	Max. Rack Mount Units	Description
P2KOD2084	2002 x 808 x 405	2000	800	400	1906x728	2	42	Key Lock
	78.82 x 31.80 x 15.94	78.7	31.5	15.7	75x28.7			
P2K2085	2002 x 808 x 505	2000	800	500	1906x728	1	42	Key Lock
	78.82 x 31.80 x 19.88	78.7	31.5	19.7	75x28.7			
P2KOD2085	2002 x 808 x 505	2000	800	500	1906x728	2	42	Key Lock
	78.82 x 31.80 x 19.88	78.7	31.5	19.7	75x28.7			
P2K2086	2002 x 808 x 605	2000	800	600	1906x728	1	42	Key Lock
	78.82 x 31.80 x 23.82	78.7	31.5	23.6	75x28.7			
P2K2086HF	2002 x 808 x 605	2000	800	600	1906x728	1	42	EMC, Key Lock
	78.82 x 31.80 x 23.82	78.7	31.5	23.6	75x28.7			
P2KOD2086	2002 x 808 x 605	2000	800	600	1906x728	2	42	Key Lock
	78.82 x 31.80 x 23.82	78.7	31.5	23.6	75x28.7			
P2KOD2086HF	2002 x 808 x 605	2000	800	600	1906x728	2	42	EMC, Key Lock
	78.82 x 31.80 x 23.82	78.7	31.5	23.6	75x28.7			
P2K2088	2002 x 808 x 805	2000	800	800	1906x728	1	42	Key Lock
	78.82 x 31.80 x 31.69	78.7	31.5	31.5	75x28.7			
P2KOD2088	2002 x 808 x 805	2000	800	800	1906x728	2	42	Key Lock
	78.82 x 31.80 x 31.69	78.7	31.5	31.5	75x28.7			
P2K20810	2002 x 808 x 1005	2000	800	1000	1906x728	1	42	Key Lock
	78.82 x 31.80 x 39.57	78.7	31.5	39.4	75x28.7			
P2KOD20810	2002 x 808 x 1005	2000	800	1000	1906x728	2	42	Key Lock
	78.82 x 31.80 x 39.57	78.7	31.5	39.4	75x28.7			
P2K20105	2002 x 1008 x 505	2000	1000	500	1906x928	1	42	Key Lock
	78.82 x 39.67 x 19.88	78.7	39.4	19.7	75x36.5			
P2KOD20105	2002 x 1008 x 505	2000	1000	500	1906x928	2	42	Key Lock
	78.82 x 39.67 x 19.88	78.7	39.4	19.7	75x36.5			
P2K20106	2002 x 1008 x 605	2000	1000	600	1906x928	1	42	Key Lock
	78.82 x 39.67 x 23.82	78.7	39.4	23.6	75x36.5			
P2KOD20106	2002 x 1008 x 605	2000	1000	600	1906x928	2	42	Key Lock
	78.82 x 39.67 x 23.82	78.7	39.4	23.6	75x36.5			
P2K20104	2002 x 1008 x 405	2000	1000	400	1906x928	1	42	Key Lock
	78.82 x 39.67 x 15.94	78.7	39.4	15.7	75x36.5			
P2K20108	2002 x 1008 x 805	2000	1000	800	1906x928	1	42	Key Lock
	78.82 x 39.67 x 31.69	78.7	39.4	31.5	75x36.5			
P2KOD20108	2002 x 1008 x 805	2000	1000	800	1906x928	2	42	Key Lock
	78.82 x 39.67 x 31.69	78.7	39.4	31.5	75x36.5			
P2KOD20124	2002 x 1208 x 405	2000	1200	400	1906x1128	2	42	Key Lock
	78.82 x 47.54 x 15.94	78.7	47.2	15.7	75x44.4			
P2KOD20125	2002 x 1208 x 505	2000	1200	500	1906x1128	2	42	Key Lock
	78.82 x 47.54 x 19.88	78.7	47.2	19.7	75x44.4			
P2KOD20126	2002 x 1208 x 605	2000	1200	600	1906x1128	2	42	Key Lock
	78.82 x 47.54 x 23.82	78.7	47.2	23.6	75x44.4			
P2KOD20128	2002 x 1208 x 805	2000	1200	800	1906x1128	2	42	Key Lock
	78.82 x 47.54 x 31.69	78.7	47.2	31.5	75x44.4			
P2KOD20165	2002 x 1608 x 505	2000	1600	500	1906x1528	2	42	Key Lock
	78.82 x 63.29 x 19.88	78.7	63.0	19.7	75x60.2			
P2KOD20166	2002 x 1608 x 605	2000	1600	600	1906x1528	2	42	Key Lock
	78.82 x 63.29 x 23.82	78.7	63.0	23.6	75x60.2			
P2KOD20168	2002 x 1608 x 805	2000	1600	800	1906x1528	2	42	Key Lock
	78.82 x 63.29 x 31.69	78.7	63.0	31.5	75x60.2			
P2KOD20185	2002 x 1808 x 505	2000	1800	500	1906x1728	2	42	Key Lock
	78.82 x 71.17 x 19.88	78.7	70.9	19.7	75x68.0			
P2KOD20186	2002 x 1808 x 605	2000	1800	600	1906x1728	2	42	Key Lock
	78.82 x 71.17 x 23.82	78.7	70.9	23.6	75x68.0			
P2KOD20188	2002 x 1808 x 805	2000	1800	800	1906x1728	2	42	Key Lock
	78.82 x 71.17 x 31.69	78.7	70.9	31.5	75x68.0			
P2K2265	2202 x 608 x 505	2200	600	500	2106x528	1	47	Key Lock
	86.69 x 23.92 x 19.88	86.6	23.6	19.7	82.9x20.8			
P2K2266	2202 x 608 x 605	2200	600	600	2106x528	1	47	Key Lock
	86.69 x 23.92 x 23.82	86.6	23.6	23.6	82.9x20.8			
P2K2266HF	2202 x 608 x 605	2200	600	600	2106x528	1	47	EMC, Key Lock
	86.69 x 23.92 x 23.82	86.6	23.6	23.6	82.9x20.8			
P2K2268	2202 x 608 x 805	2200	600	800	2106x528	1	47	Key Lock
	86.69 x 23.92 x 31.69	86.6	23.6	31.5	82.9x20.8			
P2K2285	2202 x 808 x 505	2200	800	500	2106x728	1	47	Key Lock
	86.69 x 31.80 x 19.88	86.6	31.5	19.7	82.9x28.7			
P2K2286	2202 x 808 x 605	2200	800	600	2106x728	1	47	Key Lock
	86.69 x 31.80 x 23.82	86.6	31.5	23.6	82.9x28.7			
P2K2286HF	2202 x 808 x 605	2200	800	600	2106x728	1	47	EMC, Key Lock
	86.69 x 31.80 x 23.82	86.6	31.5	23.6	82.9x28.7			
P2KOD2286	2202 x 808 x 605	2200	800	600	2106x728	2	47	Key Lock
	86.69 x 31.80 x 23.82	86.6	31.5	23.6	82.9x28.7			
P2KOD2286HF	2202 x 808 x 605	2200	800	600	2106x728	2	47	EMC, Key Lock
	86.69 x 31.80 x 23.82	86.6	31.5	23.6	82.9x28.7			
P2K2288	2202 x 808 x 805	2200	800	800	2106x728	1	47	Key Lock
	86.69 x 31.80 x 31.69	86.6	31.5	31.5	82.9x28.7			
P2KOD2288	2202 x 808 x 805	2200	800	800	2106x728	2	47	Key Lock
	86.69 x 31.80 x 31.69	86.6	31.5	31.5	82.9x28.7			
P2K22810	2202 x 808 x 1005	2200	800	1000	2106x728	1	47	Key Lock
	86.69 x 31.80 x 39.57	86.6	31.5	39.4	82.9x28.7			
P2KOD22810	2202 x 808 x 1005	2200	800	1000	2106x728	2	47	Key Lock
	86.69 x 31.80 x 39.57	86.6	31.5	39.4	82.9x28.7			
P2K22105	2202 x 1008 x 505	2200	1000	500	2106x928	1	47	Key Lock
	86.69 x 39.67 x 19.88	86.6	39.4	19.7	82.9x36.5			

Catalog Number	AxBxC mm/in.	H mm/in.	W mm/in.	D mm/in.	Max. Subpanel HxW mm/in.	No. of Doors	Max. Rack Mount Units	Description
P2KOD22105	2202 x 1008 x 505	2200	1000	500	2106x928	2	47	Key Lock
	86.69 x 39.67 x 19.88	86.6	39.4	19.7	82.9x36.5			
P2K22106	2202 x 1008 x 605	2200	1000	600	2106x928	1	47	Key Lock
	86.69 x 39.67 x 23.82	86.6	39.4	23.6	82.9x20.8			
P2KOD22106	2202 x 1008 x 605	2200	1000	600	2106x928	2	47	Key Lock
	86.69 x 39.67 x 23.82	86.6	39.4	23.6	82.9x36.5			
P2K22108	2202 x 1008 x 805	2200	1000	800	2106x928	1	47	Key Lock
	86.69 x 39.67 x 31.69	86.6	39.4	31.5	82.9x36.5			
P2KOD22108	2202 x 1008 x 805	2200	1000	800	2106x928	2	47	Key Lock
	86.69 x 39.67 x 31.69	86.6	39.4	31.5	82.9x36.5			
P2KOD22125	2202 x 1208 x 505	2200	1200	500	2106x1128	2	47	Key Lock
	86.69 x 47.54 x 19.88	86.6	47.2	19.7	82.9x44.4			
P2KOD22126	2202 x 1208 x 605	2200	1200	600	2106x1128	2	47	Key Lock
	86.69 x 47.54 x 23.82	86.6	47.2	23.6	82.9x44.4			
P2KOD22128	2202 x 1208 x 805	2200	1200	800	2106x1128	2	47	Key Lock
	86.69 x 47.54 x 31.69	86.6	47.2	31.5	82.9x44.4			
P2KOD22165	2202 x 1608 x 505	2200	1600	500	2106x1528	2	47	Key Lock
	86.69 x 63.29 x 19.88	86.6	63.0	19.7	82.9x60.2			
P2KOD22166	2202 x 1608 x 605	2200	1600	600	2106x1528	2	47	Key Lock
	86.69 x 63.29 x 23.82	86.6	63.0	23.6	82.9x60.2			
P2KOD22168	2202 x 1608 x 805	2200	1600	800	2106x1528	2	47	Key Lock
	86.69 x 63.29 x 31.69	86.6	63.0	31.5	82.9x60.2			
P2KOD22185	2202 x 1808 x 505	2200	1800	500	2106x1728	2	47	Key Lock
	86.69 x 71.17 x 19.88	86.6	70.9	19.7	82.9x68.0			
P2KOD22186	2202 x 1808 x 605	2200	1800	600	2106x1728	2	47	Key Lock
	86.69 x 71.17 x 23.82	86.6	70.9	23.6	82.9x68.0			
P2KOD22188	2202 x 1808 x 805	2200	1800	800	2106x1728	2	47	Key Lock
	86.69 x 71.17 x 31.69	86.6	70.9	31.5	82.9x68.0			

HxWxD are nominal height, width and depth dimensions.

Standard Product **Right-Hinged**

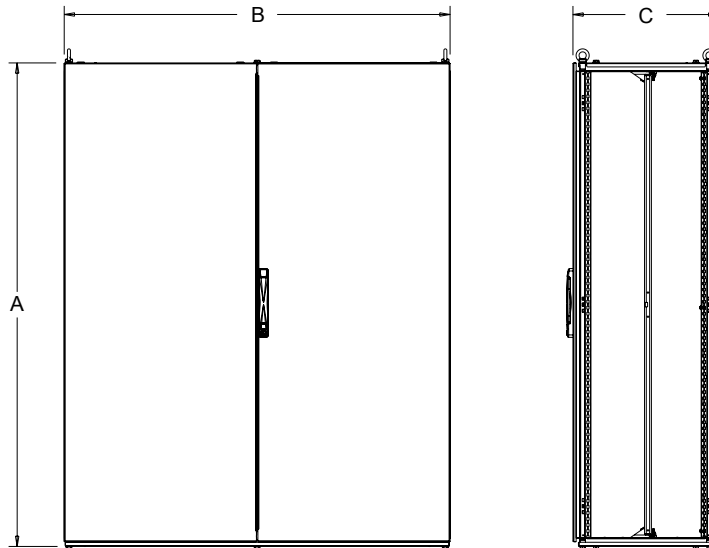
Catalog Number	AxBxC mm/in.	H mm/in.	W mm/in.	D mm/in.	Max. Subpanel HxW mm/in.	No. of Doors	Max. Rack Mount Units	Description
P2K664E	602 x 608 x 405	600	600	400	506x528	1	8	Double-Bit Lock
	23.70 x 23.92 x 15.94	23.6	23.6	15.7	19.9x20.8			
P2K666E	602 x 608 x 605	600	600	600	506x528	1	8	Double-Bit Lock
	23.70 x 23.92 x 23.82	23.6	23.6	23.6	19.9x20.8			
P2K688E	602 x 808 x 805	600	800	800	506x728	1	8	Double-Bit Lock
	23.70 x 31.80 x 31.69	23.6	31.5	31.5	19.9x28.7			
P2K866E	802 x 608 x 605	800	600	600	706x528	1	13	Double-Bit Lock
	31.57 x 23.92 x 23.82	31.5	23.6	23.6	27.8x20.8			
P2K888E	802 x 808 x 805	800	800	800	706x728	1	13	Double-Bit Lock
	31.57 x 31.80 x 31.69	31.5	31.5	31.5	27.8x28.7			
P2K1065E	1002 x 608 x 505	1000	600	500	906x528	1	18	Double-Bit Lock
	39.45 x 23.92 x 19.88	39.4	23.6	19.7	35.7x20.8			
P2K1066E	1002 x 608 x 605	1000	600	600	906x528	1	18	Double-Bit Lock
	39.45 x 23.92 x 23.82	39.4	23.6	23.6	35.7x20.8			
P2K1085E	1002 x 808 x 505	1000	800	500	906x728	1	18	Double-Bit Lock
	39.45 x 31.80 x 19.88	39.4	31.5	19.7	35.7x28.7			
P2K1086E	1002 x 808 x 605	1000	800	600	906x728	1	18	Double-Bit Lock
	39.45 x 31.80 x 23.82	39.4	31.5	23.6	35.7x28.7			
P2K1088E	1002 x 808 x 805	1000	800	800	906x728	1	18	Double-Bit Lock
	39.45 x 31.80 x 31.69	39.4	31.5	31.5	35.7x28.7			
P2K1264E	1202 x 608 x 405	1200	600	400	1106x528	1	23	Double-Bit Lock
	47.32 x 23.92 x 15.94	47.2	23.6	15.7	43.5x20.8			
P2K1265E	1202 x 608 x 505	1200	600	500	1106x528	1	23	Double-Bit Lock
	47.32 x 23.92 x 19.88	47.2	23.6	19.7	43.5x20.8			
P2K1266E	1202 x 608 x 605	1200	600	600	1106x528	1	23	Double-Bit Lock
	47.32 x 23.92 x 23.82	47.2	23.6	23.6	43.5x20.8			
P2K1285E	1202 x 808 x 505	1200	800	500	1106x728	1	23	Double-Bit Lock
	47.32 x 31.80 x 19.88	47.2	31.5	19.7	43.5x28.7			
P2K1286E	1202 x 808 x 605	1200	800	600	1106x728	1	23	Double-Bit Lock
	47.32 x 31.80 x 23.82	47.2	31.5	23.6	43.5x28.7			
P2K1288E	1202 x 808 x 805	1200	800	800	1106x728	1	23	Double-Bit Lock
	47.32 x 31.80 x 31.69	47.2	31.5	31.5	43.5x28.7			
P2K1466E	1402 x 608 x 605	1400	600	600	1306x528	1	28	Double-Bit Lock
	55.20 x 23.92 x 23.82	55.1	23.6	23.6	51.4x20.8			
P2K1466HFE	1402 x 608 x 605	1400	600	600	1306x528	1	28	EMC, Double-Bit Lock
	55.20 x 23.92 x 23.82	55.1	23.6	23.6	51.4x20.8			
P2K1485E	1402 x 808 x 505	1400	800	500	1306x728	1	28	Double-Bit Lock
	55.20 x 31.80 x 19.88	55.1	31.5	19.7	51.4x28.7			
P2K1486E	1402 x 808 x 605	1400	800	600	1306x728	1	28	Double-Bit Lock
	55.20 x 31.80 x 23.82	55.1	31.5	23.6	51.4x28.7			
P2K1488E	1402 x 808 x 805	1400	800	800	1306x728	1	28	Double-Bit Lock
	55.20 x 31.80 x 31.69	55.1	31.5	31.5	51.4x28.7			
P2KOD14125E	1402 x 1208 x 505	1400	1200	500	1306x1128	2	28	Double-Bit Lock
	55.20 x 47.54 x 19.88	55.1	47.2	19.7	51.4x44.4			
P2K1664E	1602 x 608 x 405	1600	600	400	1506x528	1	33	Double-Bit Lock
	63.07 x 23.92 x 15.94	63.0	23.6	15.7	59.3x20.8			
P2K1665E	1602 x 608 x 505	1600	600	500	1506x528	1	33	Double-Bit Lock
	63.07 x 23.92 x 19.88	63.0	23.6	19.7	59.3x20.8			
P2K1666E	1602 x 608 x 605	1600	600	600	1506x528	1	33	Double-Bit Lock
	63.07 x 23.92 x 23.82	63.0	23.6	23.6	59.3x20.8			
P2K1668E	1602 x 608 x 805	1600	600	800	1506x528	1	33	Double-Bit Lock
	63.07 x 23.92 x 31.69	63.0	23.6	31.5	59.3x20.8			

Catalog Number	AxBxC mm/in.	H mm/in.	W mm/in.	D mm/in.	Max. Subpanel HxW mm/in.	No. of Doors	Max. Rack Mount Units	Description
P2K1684E	1602 x 808 x 405	1600	800	400	1506x728	1	33	Double-Bit Lock
	63.07 x 31.80 x 15.94	63.0	31.5	15.7	59.3x28.7			
P2K1685E	1602 x 808 x 505	1600	800	500	1506x728	1	33	Double-Bit Lock
	63.07 x 31.80 x 19.88	63.0	31.5	19.7	59.3x28.7			
P2K1686E	1602 x 808 x 605	1600	800	600	1506x728	1	33	Double-Bit Lock
	63.07 x 31.80 x 23.82	63.0	31.5	23.6	59.3x28.7			
P2K1688E	1602 x 808 x 805	1600	800	800	1506x728	1	33	Double-Bit Lock
	63.07 x 31.80 x 31.69	63.0	31.5	31.5	59.3x28.7			
P2KOD16124E	1602 x 1208 x 405	1600	1200	400	1506x1128	2	33	Double-Bit Lock
	63.07 x 47.54 x 15.94	63.0	47.2	15.7	59.3x44.4			
P2KOD16125E	1602 x 1208 x 505	1600	1200	500	1506x1128	2	33	Double-Bit Lock
	63.07 x 47.54 x 19.88	63.0	47.2	19.7	59.3x44.4			
P2KOD16126E	1602 x 1208 x 605	1600	1200	600	1506x1128	2	33	Double-Bit Lock
	63.07 x 47.54 x 23.82	63.0	47.2	23.6	59.3x44.4			
P2KOD16128E	1602 x 1208 x 805	1600	1200	800	1506x1128	2	33	Double-Bit Lock
	63.07 x 47.54 x 31.69	63.0	47.2	31.5	59.3x44.4			
P2KOD16164E	1602 x 1608 x 405	1600	1600	400	1506x1528	2	33	Double-Bit Lock
	63.07 x 63.29 x 15.94	63.0	63.0	15.7	59.3x60.2			
P2KOD16165E	1602 x 1608 x 505	1600	1600	500	1506x1528	2	33	Double-Bit Lock
	63.07 x 63.29 x 19.88	63.0	63.0	19.7	59.3x60.2			
P2KOD16166E	1602 x 1608 x 605	1600	1600	600	1506x1528	2	33	Double-Bit Lock
	63.07 x 63.29 x 23.82	63.0	63.0	23.6	59.3x60.2			
P2KOD16168E	1602 x 1608 x 805	1600	1600	800	1506x1528	2	33	Double-Bit Lock
	63.07 x 63.29 x 31.69	63.0	63.0	31.5	59.3x60.2			
P2K1845E	1802 x 408 x 505	1800	400	500	1706x328	1	38	Double-Bit Lock
	70.94 x 16.05 x 19.88	70.9	15.7	19.7	67.2x12.9			
P2K1846E	1802 x 408 x 605	1800	400	600	1706x328	1	38	Double-Bit Lock
	70.94 x 16.05 x 23.82	70.9	15.7	23.6	67.2x12.9			
P2K1864E	1802 x 608 x 405	1800	600	400	1706x528	1	38	Double-Bit Lock
	70.94 x 23.92 x 15.94	70.9	23.6	15.7	67.2x20.8			
P2K1865E	1802 x 608 x 505	1800	600	500	1706x528	1	38	Double-Bit Lock
	70.94 x 23.92 x 19.88	70.9	23.6	19.7	67.2x20.8			
P2K1866E	1802 x 608 x 605	1800	600	600	1706x528	1	38	Double-Bit Lock
	70.94 x 23.92 x 23.82	70.9	23.6	23.6	67.2x20.8			
P2K1866HFE	1802 x 608 x 605	1800	600	600	1706x528	1	38	EMC, Double-Bit Lock
	70.94 x 23.92 x 23.82	70.9	23.6	23.6	67.2x20.8			
P2K1884E	1802 x 808 x 405	1800	800	400	1706x728	1	38	Double-Bit Lock
	70.94 x 31.80 x 15.94	70.9	31.5	15.7	67.2x28.7			
P2K1885E	1802 x 808 x 505	1800	800	500	1706x728	1	38	Double-Bit Lock
	70.94 x 31.80 x 19.88	70.9	31.5	19.7	67.2x28.7			
P2KOD1885E	1802 x 808 x 505	1800	800	500	1706x728	2	38	Double-Bit Lock
	70.94 x 31.80 x 19.88	70.9	31.5	19.7	67.2x28.7			
P2K1886E	1802 x 808 x 605	1800	800	600	1706x728	1	38	Double-Bit Lock
	70.94 x 31.80 x 23.82	70.9	31.5	23.6	67.2x28.7			
P2KOD1886E	1802 x 808 x 605	1800	800	600	1706x728	2	38	Double-Bit Lock
	70.94 x 31.80 x 23.82	70.9	31.5	23.6	67.2x28.7			
P2K1888E	1802 x 808 x 805	1800	800	800	1706x728	1	38	Double-Bit Lock
	70.94 x 31.80 x 31.69	70.9	31.5	31.5	67.2x28.7			
P2K18104E	1802 x 1008 x 405	1800	1000	400	1706x928	1	38	Double-Bit Lock
	70.94 x 39.67 x 15.94	70.9	39.4	15.7	67.2x36.5			
P2KOD18104E	1802 x 1008 x 405	1800	1000	400	1706x928	2	38	Double-Bit Lock
	70.94 x 39.67 x 15.94	70.9	39.4	15.7	67.2x36.5			
P2K18105E	1802 x 1008 x 505	1800	1000	500	1706x928	1	38	Double-Bit Lock
	70.94 x 39.67 x 19.88	70.9	39.4	19.7	67.2x36.5			
P2KOD18105E	1802 x 1008 x 505	1800	1000	500	1706x928	2	38	Double-Bit Lock
	70.94 x 39.67 x 19.88	70.9	39.4	19.7	67.2x36.5			
P2K18106E	1802 x 1008 x 605	1800	1000	600	1706x928	1	38	Double-Bit Lock
	70.94 x 39.67 x 23.82	70.9	39.4	23.6	67.2x36.5			
P2K18106HFE	1802 x 1008 x 605	1800	1000	600	1706x928	1	38	EMC, Double-Bit Lock
	70.94 x 39.67 x 23.82	70.9	39.4	23.6	67.2x36.5			
P2KOD18106E	1802 x 1008 x 605	1800	1000	600	1706x928	2	38	Double-Bit Lock
	70.94 x 39.67 x 23.82	70.9	39.4	23.6	67.2x36.5			
P2KOD18106HFE	1802 x 1008 x 605	1800	1000	600	1706x928	2	38	EMC, Double-Bit Lock
	70.94 x 39.67 x 23.82	70.9	39.4	23.6	67.2x36.5			
P2KOD18124E	1802 x 1208 x 405	1800	1200	400	1706x1128	2	38	Double-Bit Lock
	70.94 x 47.54 x 15.94	70.9	47.2	15.7	67.2x44.4			
P2KOD18125E	1802 x 1208 x 505	1800	1200	500	1706x1128	2	38	Double-Bit Lock
	70.94 x 47.54 x 19.88	70.9	47.2	19.7	67.2x44.4			
P2KOD18126E	1802 x 1208 x 605	1800	1200	600	1706x1128	2	38	Double-Bit Lock
	70.94 x 47.54 x 23.82	70.9	47.2	23.6	67.2x44.4			
P2KOD18128E	1802 x 1208 x 805	1800	1200	800	1706x1128	2	38	Double-Bit Lock
	70.94 x 47.54 x 31.69	70.9	47.2	31.5	67.2x44.4			
P2KOD18164E	1802 x 1608 x 405	1800	1600	400	1706x1528	2	38	Double-Bit Lock
	70.94 x 63.29 x 15.94	70.9	63.0	15.7	67.2x60.2			
P2KOD18165E	1802 x 1608 x 505	1800	1600	500	1706x1528	2	38	Double-Bit Lock
	70.94 x 63.29 x 19.88	70.9	63.0	19.7	67.2x60.2			
P2KOD18166E	1802 x 1608 x 605	1800	1600	600	1706x1528	2	38	Double-Bit Lock
	70.94 x 63.29 x 23.82	70.9	63.0	23.6	67.2x60.2			
P2KOD18168E	1802 x 1608 x 805	1800	1600	800	1706x1528	2	38	Double-Bit Lock
	70.94 x 63.29 x 31.69	70.9	63.0	31.5	67.2x60.2			
P2KOD18185E	1802 x 1808 x 505	1800	1800	500	1706x1728	2	38	Double-Bit Lock
	70.94 x 71.17 x 19.88	70.9	70.9	19.7	67.2x68.0			
P2KOD18186E	1802 x 1808 x 605	1800	1800	600	1706x1728	2	38	Double-Bit Lock
	70.94 x 71.17 x 23.82	70.9	70.9	23.6	67.2x68.0			

Catalog Number	AxBxC mm/in.	H mm/in.	W mm/in.	D mm/in.	Max. Subpanel HxW mm/in.	No. of Doors	Max. Rack Mount Units	Description
P2KOD18188E	1802 x 1808 x 805 70.94 x 71.17 x 31.69	1800 70.9	1800 70.9	800 31.5	1706x1728 67.2x68.0	2	38	Double-Bit Lock
P2K2045E	2002 x 408 x 505 78.82 x 16.05 x 19.88	2000 78.7	400 15.7	500 19.7	1906x328 75x12.9	1	42	Double-Bit Lock
P2K2046E	2002 x 408 x 605 78.82 x 16.05 x 23.82	2000 78.7	400 15.7	600 23.6	1906x328 75x12.9	1	42	Double-Bit Lock
P2K2064E	2002 x 608 x 405 78.82 x 23.92 x 15.94	2000 78.7	600 23.6	400 15.7	1906x528 75x20.8	1	42	Double-Bit Lock
P2K2065E	2002 x 608 x 505 78.82 x 23.92 x 19.88	2000 78.7	600 23.6	500 19.7	1906x528 75x20.8	1	42	Double-Bit Lock
P2K2066E	2002 x 608 x 605 78.82 x 23.92 x 23.82	2000 78.7	600 23.6	600 23.8	1906x528 75x20.8	1	42	Double-Bit Lock
P2K2066HFE	2002 x 608 x 605 78.82 x 23.92 x 23.82	2000 78.7	600 23.6	600 23.6	1906x528 75x20.8	1	42	EMC, Double-Bit Lock
P2K2084E	2002 x 808 x 405 78.82 x 31.80 x 15.94	2000 78.7	800 31.5	400 15.7	1906x728 75x28.7	1	42	Double-Bit Lock
P2KOD2084E	2002 x 808 x 405 78.82 x 31.80 x 15.94	2000 78.7	800 31.5	400 15.7	1906x728 75x28.7	2	42	Double-Bit Lock
P2K2085E	2002 x 808 x 505 78.82 x 31.80 x 19.88	2000 78.7	800 31.5	500 19.7	1906x728 75x28.7	1	42	Double-Bit Lock
P2KOD2085E	2002 x 808 x 505 78.82 x 31.80 x 19.88	2000 78.7	800 31.5	500 19.7	1906x728 75x28.7	2	42	Double-Bit Lock
P2K2086E	2002 x 808 x 605 78.82 x 31.80 x 23.82	2000 78.7	800 31.5	600 23.6	1906x728 75x28.7	1	42	Double-Bit Lock
P2K2086HFE	2002 x 808 x 605 78.82 x 31.80 x 23.82	2000 78.7	800 31.5	600 23.6	1906x728 75x28.7	1	42	EMC, Double-Bit Lock
P2KOD2086E	2002 x 808 x 605 78.82 x 31.80 x 23.82	2000 78.7	800 31.5	600 23.6	1906x728 75x28.7	2	42	Double-Bit Lock
P2KOD2086HFE	2002 x 808 x 605 78.82 x 31.80 x 23.82	2000 78.7	800 31.5	600 23.6	1906x728 75x28.7	2	42	EMC, Double-Bit Lock
P2KOD2088E	2002 x 808 x 805 78.82 x 31.80 x 31.69	2000 78.7	800 31.5	800 31.5	1906x728 75x28.7	2	42	Double-Bit Lock
P2KOD20810E	2002 x 808 x 1005 78.82 x 31.80 x 39.57	2000 78.7	800 31.5	1000 39.4	1906x728 75x28.7	2	42	Double-Bit Lock
P2K20810E	2002 x 808 x 1005 78.82 x 31.80 x 39.57	2000 78.7	800 31.5	1000 39.4	1906x728 75x28.7	1	42	Double-Bit Lock
P2K20105E	2002 x 1008 x 505 78.82 x 39.67 x 19.88	2000 78.7	1000 39.4	500 19.7	1906x928 75x36.5	1	42	Double-Bit Lock
P2KOD20105E	2002 x 1008 x 505 78.82 x 39.67 x 19.88	2000 78.7	1000 39.4	500 19.7	1906x928 75x36.5	2	42	Double-Bit Lock
P2K20106E	2002 x 1008 x 605 78.82 x 39.67 x 23.82	2000 78.7	1000 39.4	600 23.6	1906x928 75x36.5	1	42	Double-Bit Lock
P2KOD20106E	2002 x 1008 x 605 78.82 x 39.67 x 23.82	2000 78.7	1000 39.4	600 23.6	1906x928 75x36.5	2	42	Double-Bit Lock
P2K20108E	2002 x 1008 x 805 78.82 x 39.67 x 31.69	2000 78.7	1000 39.4	800 31.5	1906x928 75x36.5	1	42	Double-Bit Lock
P2KOD20108E	2002 x 1008 x 805 78.82 x 39.67 x 31.69	2000 78.7	1000 39.4	800 31.5	1906x928 75x36.5	2	42	Double-Bit Lock
P2KOD20124E	2002 x 1208 x 405 78.82 x 47.54 x 15.94	2000 78.7	1200 47.2	400 15.7	1906x1128 75x44.4	2	42	Double-Bit Lock
P2KOD20125E	2002 x 1208 x 505 78.82 x 47.54 x 19.88	2000 78.7	1200 47.2	500 19.7	1906x1128 75x44.4	2	42	Double-Bit Lock
P2KOD20126E	2002 x 1208 x 605 78.82 x 47.54 x 23.82	2000 78.7	1200 47.2	600 23.6	1906x1128 75x44.4	2	42	Double-Bit Lock
P2KOD20128E	2002 x 1208 x 805 78.82 x 47.54 x 31.69	2000 78.7	1200 47.2	800 31.5	1906x1128 75x44.4	2	42	Double-Bit Lock
P2KOD20165E	2002 x 1608 x 505 78.82 x 63.29 x 19.88	2000 78.7	1600 63.0	500 19.7	1906x1528 75x60.2	2	42	Double-Bit Lock
P2KOD20166E	2002 x 1608 x 605 78.82 x 63.29 x 23.82	2000 78.7	1600 63.0	600 23.6	1906x1528 75x60.2	2	42	Double-Bit Lock
P2KOD20168E	2002 x 1608 x 805 78.82 x 63.29 x 31.69	2000 78.7	1600 63.0	800 31.5	1906x1528 75x60.2	2	42	Double-Bit Lock
P2KOD20185E	2002 x 1808 x 505 78.82 x 71.17 x 19.88	2000 78.7	1800 70.9	500 19.7	1906x1728 75x68.0	2	42	Double-Bit Lock
P2KOD20186E	2002 x 1808 x 605 78.82 x 71.17 x 23.82	2000 78.7	1800 70.9	600 23.6	1906x1728 75x68.0	2	42	Double-Bit Lock
P2KOD20188E	2002 x 1808 x 805 78.82 x 71.17 x 31.69	2000 78.7	1800 70.9	800 31.5	1906x1728 75x68.0	2	42	Double-Bit Lock
P2K2265E	2202 x 608 x 505 86.69 x 23.92 x 19.88	2200 86.6	600 23.6	500 19.7	2106x528 82.9x20.8	1	47	Double-Bit Lock
P2K2266E	2202 x 608 x 605 86.69 x 23.92 x 23.82	2200 86.6	600 23.6	600 23.6	2106x528 82.9x20.8	1	47	Double-Bit Lock
P2K2266HFE	2202 x 608 x 605 86.69 x 23.92 x 23.82	2200 86.6	600 23.6	600 23.6	2106x528 82.9x20.8	1	47	EMC, Double-Bit Lock
P2K2285E	2202 x 808 x 505 86.69 x 31.80 x 19.88	2200 86.6	800 31.5	500 19.7	2106x728 82.9x28.7	1	47	Double-Bit Lock
P2KOD2285E	2202 x 808 x 505 86.69 x 31.80 x 19.88	2200 86.6	800 31.5	500 19.7	2106x728 82.9x28.7	2	47	Double-Bit Lock
P2K2286E	2202 x 808 x 605 86.69 x 31.80 x 23.82	2200 86.6	800 31.5	600 23.6	2106x728 82.9x28.7	1	47	Double-Bit Lock
P2K2286HFE	2202 x 808 x 605 86.69 x 31.80 x 23.82	2200 86.6	800 31.5	600 23.6	2106x728 82.9x28.7	1	47	EMC, Double-Bit Lock
P2KOD2286E	2202 x 808 x 605 86.69 x 31.80 x 23.82	2200 86.6	800 31.5	600 23.6	2106x728 82.9x28.7	2	47	Double-Bit Lock

Catalog Number	AxBxC mm/in.	H mm/in.	W mm/in.	D mm/in.	Max. Subpanel HxW mm/in.	No. of Doors	Max. Rack Mount Units	Description
P2KOD2286HFE	2202 x 808 x 605 86.69 x 31.80 x 23.82	2200 86.6	800 31.5	600 23.6	2106x728 82.9x28.7	2	47	EMC, Double-Bit Lock
P2K2288E	2202 x 808 x 805 86.69 x 31.80 x 31.69	2200 86.6	800 31.5	800 31.5	2106x728 82.9x28.7	1	47	Double-Bit Lock
P2KOD2288E	2202 x 808 x 805 86.69 x 31.80 x 31.69	2200 86.6	800 31.5	800 31.5	2106x728 82.9x28.7	2	47	Double-Bit Lock
P2K22810E	2202 x 808 x 1005 86.69 x 31.80 x 39.57	2200 86.6	800 31.5	1000 39.4	2106x728 82.9x28.7	1	47	Double-Bit Lock
P2KOD22810E	2202 x 808 x 1005 86.69 x 31.80 x 39.57	2200 86.6	800 31.5	1000 39.4	2106x728 82.9x28.7	2	47	Double-Bit Lock
P2K22105E	2202 x 1008 x 505 86.69 x 39.67 x 19.88	2200 86.6	1000 39.4	500 19.7	2106x928 82.9x36.5	1	47	Double-Bit Lock
P2KOD22105E	2202 x 1008 x 505 86.69 x 39.67 x 19.88	2200 86.6	1000 39.4	500 19.7	2106x928 82.9x36.5	2	47	Double-Bit Lock
P2K22106E	2202 x 1008 x 605 86.69 x 39.67 x 23.82	2200 86.6	1000 39.4	600 23.6	2106x928 82.9x36.5	1	47	Double-Bit Lock
P2KOD22106E	2202 x 1008 x 605 86.69 x 39.67 x 23.82	2200 86.6	1000 39.4	600 23.6	2106x928 82.9x36.5	2	47	Double-Bit Lock
P2K22108E	2202 x 1008 x 805 86.69 x 39.67 x 31.69	2200 86.6	1000 39.4	800 31.5	2106x928 82.9x36.5	1	47	Double-Bit Lock
P2KOD22108E	2202 x 1008 x 805 86.69 x 39.67 x 31.69	2200 86.6	1000 39.4	800 31.5	2106x928 82.9x36.5	2	47	Double-Bit Lock
P2KOD22125E	2202 x 1208 x 505 86.69 x 47.54 x 19.88	2200 86.6	1200 47.2	500 19.7	2106x1128 82.9x44.4	2	47	Double-Bit Lock
P2KOD22126E	2202 x 1208 x 605 86.69 x 47.54 x 23.82	2200 86.6	1200 47.2	600 23.6	2106x1128 82.9x44.4	2	47	Double-Bit Lock
P2KOD22128E	2202 x 1208 x 805 86.69 x 47.54 x 31.69	2200 86.6	1200 47.2	800 31.5	2106x1128 82.9x44.4	2	47	Double-Bit Lock
P2KOD22165E	2202 x 1608 x 505 86.69 x 63.29 x 19.88	2200 86.6	1600 63.0	500 19.7	2106x1528 82.9x60.2	2	47	Double-Bit Lock
P2KOD22166E	2202 x 1608 x 605 86.69 x 63.29 x 23.82	2200 86.6	1600 63.0	600 23.6	2106x1528 82.9x60.2	2	47	Double-Bit Lock
P2KOD22168E	2202 x 1608 x 805 86.69 x 63.29 x 31.69	2200 86.6	1600 63.0	800 31.7	2106x1528 82.9x60.2	2	47	Double-Bit Lock
P2KOD22185E	2202 x 1808 x 505 86.69 x 71.17 x 19.88	2200 86.6	1800 70.9	500 19.7	2106x1728 82.9x68.0	2	47	Double-Bit Lock
P2KOD22186E	2202 x 1808 x 605 86.69 x 71.17 x 23.82	2200 86.6	1800 70.9	600 23.6	2106x1728 82.9x68.0	2	47	Double-Bit Lock
P2KOD22188E	2202 x 1808 x 805 86.69 x 71.17 x 31.69	2200 86.6	1800 70.9	800 31.5	2106x1728 82.9x68.0	2	47	Double-Bit Lock

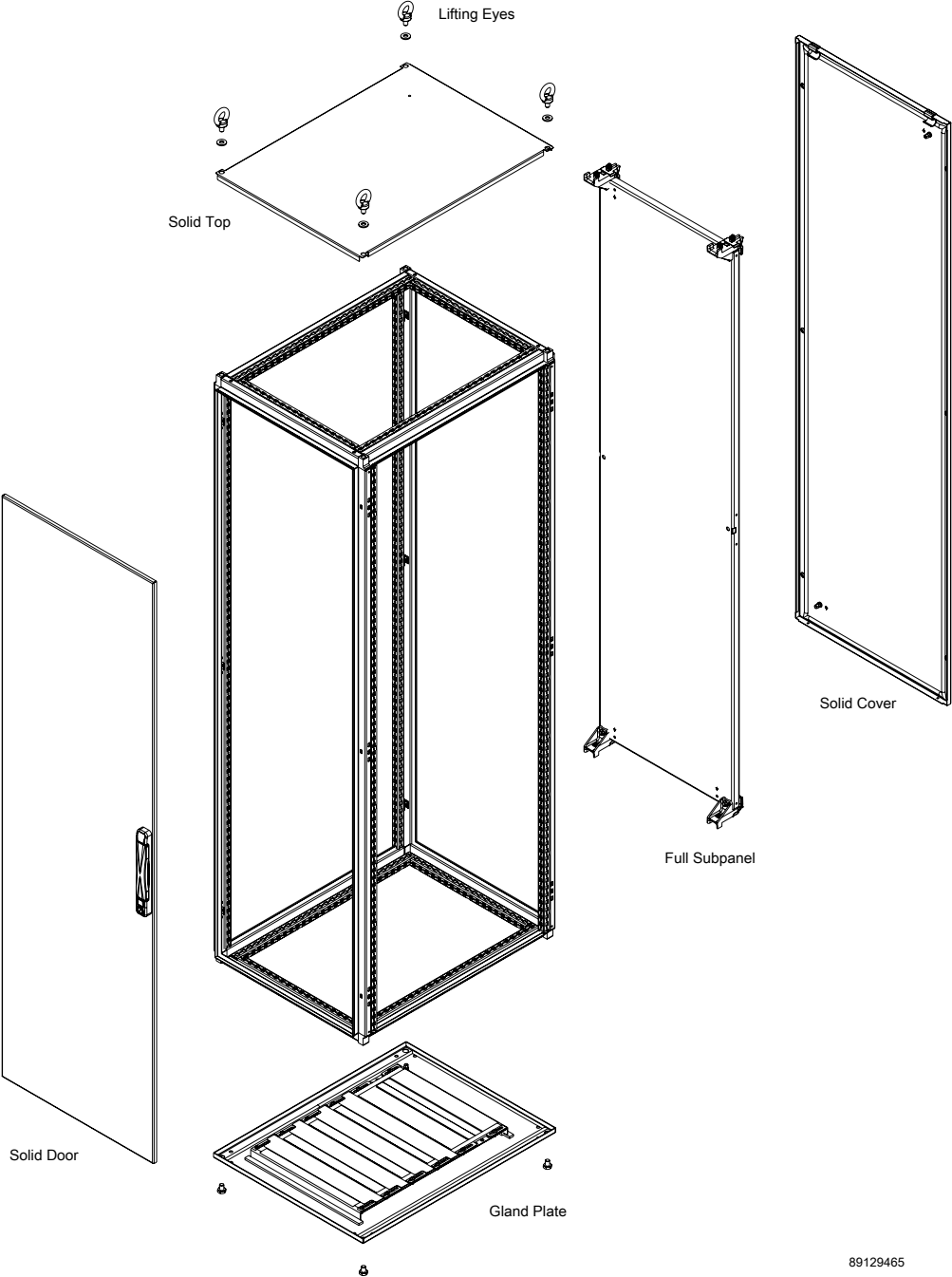
HxWxD are nominal height, width and depth dimensions.



89129468

Model	Component	Type	Height	Width	Depth	Specialty	Catalog Number
P2	K	Blank	20	8	6	Blank	= P2K2086
PROLINE G2	Industrial Package/Kit	Blank = single door OD = overlapping double door DR = disconnect right DL = disconnect left	mm 22 = 2200 20 = 2000 18 = 1800 16 = 1600 14 = 1400 12 = 1200 10 = 1000 8 = 800 6 = 600	mm 18 = 1800 16 = 1600 12 = 1200 10 = 1000 8 = 800 6 = 600 4 = 400	mm 10 = 1000 8 = 800 6 = 600 5 = 500 4 = 400	Blank = left hinge/ key lock E = right hinge/ double bit lock HF = EMC components	NOTE: Not every combination is available as a standard product.

Standard Configuration



89129465

Component Specifications

Component	Thickness (gauge/mm)	Material	Surface Finish	Load Rating (lb/kg)	Safety Factor*****
Frame	12/2.5	Roll-formed, carbon steel; fully welded corners; 25mm DIN standard	Painted****	3500/1587	1.5
Mounting subpanel*	10-12/3.0-2.5	Carbon steel	Galvanized or Painted Options	2000/907	2.5
Door	14/1.75	Carbon steel	Painted****	250/113	1.5
Covers** and Side Covers***	14-16/1.5-1.75	Carbon steel	Painted****	300/136	1.5
Gland Plate	14/1.75	Carbon steel	Galvanized or Painted Options	200/90	1.5

Load ratings are for an enclosure size of 2000x600x800mm. Load ratings vary by enclosure size.

* Mounting subpanels 1200mm wide or greater are 10 gauge (3.0mm); subpanels less than 1200mm wide are 12 gauge (2.5mm).

** Covers 600 mm wide or greater are 14 gauge (1.75 mm); 600mm wide or less are 16 gauge (1.5 mm)

*** Side Covers greater than 800 mm deep are 14 gauge (1.75 mm); 800mm or less deep are 16gauge (1.5 mm)

**** Powder-coated color RAL 7035 textured light-gray; custom colors available

***** IEC 62208 uses a 1.25 safety factor, which would result in higher load ratings

Industrial Package Size Matrix Nominal Sizes

Height mm/in.	Width mm/in.	Depth mm/in.
600	600, 800	400, 600, 800
800	600, 800	400, 600, 800
1000	600, 800, 1200	400, 500, 600, 800
1200	600, 800, 1200	400, 500, 600, 800
1400	600, 800, 1200	500, 600, 800
1600	600, 800, 1200	500, 600, 800
1800	600, 800, 1200, 1600	400, 500, 600, 800
2000	400, 600, 800, 1000, 1200, 1600, 1800	400, 500, 600, 800, 1000
2200	400, 600, 800, 1000, 1200, 1600, 1800	400, 500, 600, 800, 1000

Not every depth is available with each width

Custom sizes available upon request

Door Selection Matrix

Width mm/in.	1-Door*	2-Door**
600	•	
800	•	•
1000	•	•
1200 or greater		•

* Reversible hinging

** Overlapping double door; reversible hinging

Metal Fiber Gasket Performance Level

MHz Range	30 – 230	230 - 1000	1000 - 2000
Shielding Level (dB)	40	15	10

Notes