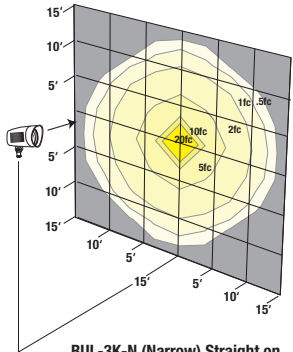
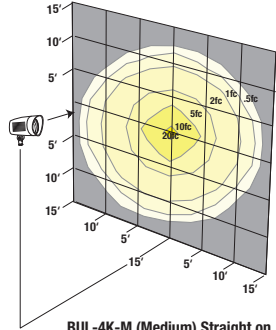


PERFORMANCE INFORMATION

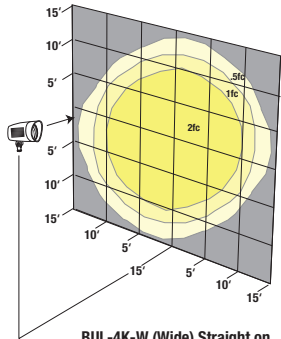
COLT



BUL-3K-N (Narrow) Straight on

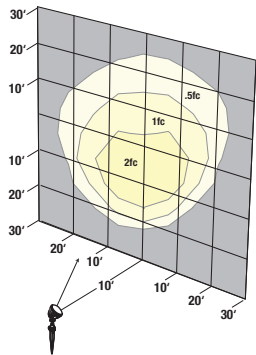


BUL-4K-M (Medium) Straight on

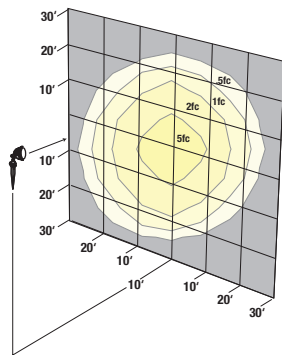


BUL-4K-W (Wide) Straight on

COLT MINI



45 Tilt 10' Set Back



Straight on 10' Set Back

PRODUCT INFORMATION

ACCESSORIES - Order Separately, Field Installed

Catalog Number	Description
BUL-COLOR	Lens kit with five tinted color choices – Red, Blue, Green, Yellow, Pink & Purple
TRN-DB	Trunnion adapter for 1/2" threaded knuckle mount

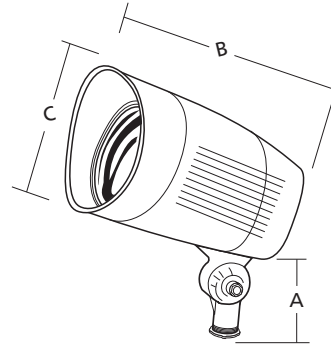


BUL-COLOR

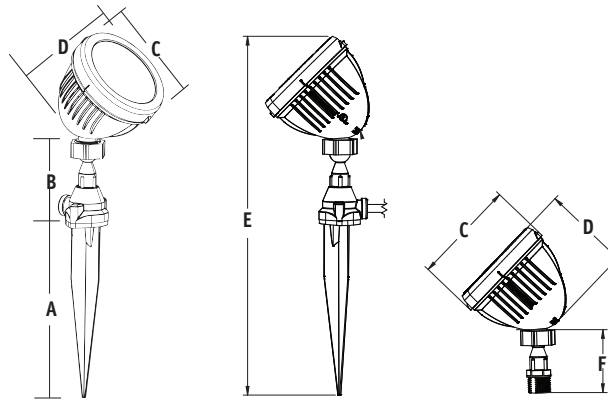


TRN-DB

DIMENSIONS



A	B	C	WEIGHT
3"	6"	5"	2.75 lbs.
76 mm	152 mm	127 mm	1.25 kg



A	B	C	D	E	F	WEIGHT
6.75"	2.875"	3.26"	3.9"	13.53"	2.37"	6.8 LBS.
171 mm	73 mm	82 mm	99 mm	343 mm	60 mm	3.08 KG

Due to continued efforts to improve our products, product specifications are subject to change without notice.
HOL0244 REV 7.16



HUBBELL
Outdoor Lighting



COLT FLOODLIGHTS

COLT FLOODLIGHT SERIES – TWO SIZES VERSATILE FEATURES

Hubbell Outdoor Lighting's compact sleek and stylish Colt series provides energy-efficient small area floodlighting solutions. These powerful versatile floodlights are the perfect choice for many floodlighting applications including: accent, landscape, facade, or small area illumination.

COLT

LED compact floodlight for landscape, accent, flag, column, facade and small area illumination

Cast aluminum construction with heat dissipating fins on side of housing

Adjustable knuckle mount



5° aiming angle increments for precise aiming and control



Rotatable hood for adjustable glare control

3 distribution options in one carton (narrow, medium, wide)

Shown without hood and with Trunnion TRN-DB

Features and Benefits:

- 21w - 1,800 - 1,970 lumens replaces 100w HID or 84w CFL luminaires
- Traditional 1/2" x 14 NPS threaded adjustable knuckle mounting
- 120-277V operation
- Die-cast aluminum dark bronze housing
- 3 beam spread options included (narrow, medium, wide)
- Rotatable hood for adjustable glare control included
- 3000K or 4000K color temperatures available
- IP65 and certified to UL 1598 for use in wet locations
- Trunnion mount accessory kit available
- Color/tinted (red, blue, yellow, green, pink/purple) lens kit accessory available



Narrow, Medium and Wide included

Performance Data

Series Number	Equivalency	Distribution Type	Lumens Delivered	Voltage	System Watts	Lumens Per Watt	CCT/CRI
BUL-1L3K-1U	100w HID or 84w CFL	3x3	1873	120V-277V	21	89	3000K/80
		4x4	1935			92	
		6x6	1802			86	
BUL-1L4K-1U	100w HID or 84w CFL	3x3	1979	120V-277V	21	94	4000K/80
		4x4	1965			93.5	
		6x6	1886			90	



COLT MINI

Provides wide NEMA 6x6 beam spread

Mounting Versatility

6.75" stake with 8' SO cord for landscape application also included



Die-cast aluminum housing

Adjustable knuckle mount

Replaces 50w to 70w HID, 100w incandescent or 84w CFL

1/2" 14 NPT threaded mounting for box or pipe mounting

Features and Benefits:

- 13w - 1115 lumens replaces 50w-70w HID, 100w incandescent or 42w CFL luminaires
- Die-cast aluminum dark bronze housing
- 120V operation
- 6x6 NEMA wide beam spread
- Glass lens
- Mounting versatility:
 - 6.75" stake with 8' SO cord
 - 1/2" 14 NPT threaded mounting box for box or pipe mounting
- IP65 and certified to UL 1598 for use in wet locations
- NEMA 3R rated housing

Performance Data

Series Number	Equivalency	Distribution Type	Lumens Delivered	Voltage	System Watts	Lumens Per Watt	CCT/CRI
MBUL-1L3K-1	50-70w or 42w CFL	6x6	1115	120V	13.2	84.5	3000K/83

