

# Installation & Operating Instructions

## Hubbell Parkingstand Arrester 200A, 15kV, 25kV, & 35kV Class

### DESCRIPTION

Hubbell Parkingstand Arresters are designed to provide an effective overvoltage protection for underground distribution systems. They will mate with any 200A loadbreak elbow that contains the corresponding operating interface per IEEE Std. 386.

- 15kV Class: 200A 8.3kV (Figure 5)
- 25kV Class: 200A 15.2kV (Figure 7)
- 35kV Class: 200A 21.1kV (Figure 7)

### Contents of Package

- (1) Parkingstand Arrester
- (1) Lubricant (DO NOT SUBSTITUTE)
- (1) Installation Instructions

### NOTES

- Check contents of package to ensure that it is complete and components are not damaged
- 15kV Parkingstand Arrester (215PLA10) used as model for instruction sheet figures

Normally Recommended MCOV for Various System Voltages			
System L-L Voltage (kV)		Arrester MCOV (kV)	
Nominal	Maximum	Grounded Neutral	3-Phase Ungrounded
2.40	2.54	2.55	2.55
4.16	4.37	2.55	5.10
4.80	5.04	5.10	5.10
6.90	7.26	5.10	7.65
12.00	12.70	7.65	12.70
12.47	13.20	7.65	15.30
13.20	13.97	8.40	15.30
13.80	14.52	8.40	15.30
20.78	22.00	12.70	22.00
22.86	24.20	15.30	24.40
23.00	24.34	15.30	24.40
24.94	26.20	15.30	---
27.00	28.00	17.00	---
34.50	36.20	22.00	---

**Important:** Read these instructions thoroughly before operating the system. The Parkingstand Arrester should only be applied to systems where the power frequency voltage seen by the arrester does not exceed the published maximum continuous operating voltage (MCOV). The nominal voltage rating and the MCOV are located on each Parkingstand Arrester.

**CAUTION**

The equipment covered by these instructions should be installed, operated and serviced only by competent personnel familiar with safe practices. This instruction is written for such personnel and is not intended as a substitute for adequate training and experience in safe procedures for this type of equipment.

**DANGER**

Do not touch or move energized product by hand. Be sure that the arrester is rated for their intended application. Any failed or suspicious arrester should be considered energized because failed arresters on re-energized lines can maintain voltage. Failure to follow this instruction may result in damage to the products and serious or fatal injury.

These instructions do not purport to cover all details or variations in equipment nor to provide for every possible contingency to be met in connection with installation, operation or maintenance. Should further information be desired or should particular problems arise which are not covered sufficiently for the purchaser's purposes, the matter should be referred to Hubbell Power Systems, Inc.

# PARKINGSTAND ARRESTER

The Parkingstand Arrester can be installed on energized or de-energized systems. Hubbell Power Systems recommends installation on de-energized systems whenever possible. Follow the same installation procedures for energized systems.

## ENERGIZED SYSTEM INSTALLATION

### Preparation:

1. Check the arrester for appropriate voltage rating and the interface for application
2. Verify system maximum continuous operating voltage does not exceed the MCOV rating of the arrester.
3. Ensure that there is adequate space to install the arrester and attach the ground leads without interfering with other loadbreak device's operation.

### Grounding:

1. Connect the braided ground lead of the arrester to system ground.
2. Attach a #14 or equivalent CU drain wire to the ground tab on the arrester.
3. Connect the other end of the drain wire directly to system ground independent of the braided ground lead.

### Lubrication:

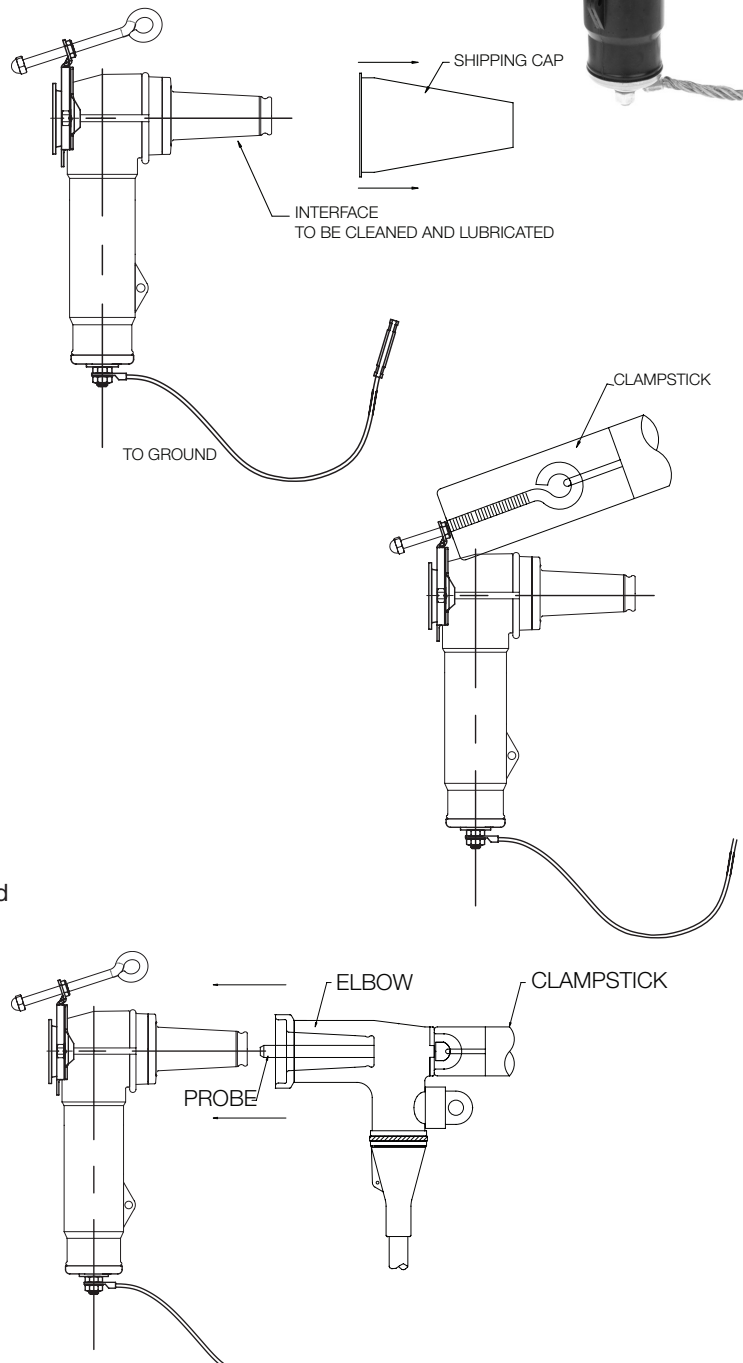
1. Remove protective cap.
2. Keep interfaces clean and dry.
3. Apply a thin, uniform coat of the supplied lubricant (DO NOT SUBSTITUTE) as other lubricants may be harmful to the operating interface of the arrester.

Caution – Excess lubricant may prevent the elbow from properly locking into place on the Parkingstand arrester.

### Connection:

Caution – DO NOT INSTALL BY HAND

1. Fasten hotstick tool to the operating eye of the Parkingstand arrester until firm.
2. Slide the disc on the back of the Parkingstand Arrester bracket into the parking stand.
3. Orient the arrester with the grounded end pointing down.
4. Rotate the eyebolt clockwise until the nut is firmly wedged against the faceplate. Do not over tighten.
5. Detach the hotstick tool from the arrester bracket.
6. Install the mating elbow following the instructions supplied with them.



**HUBBELL**  
Power Systems

**CABLE  
ACCESSORIES**



1850 Richland Ave. East • Aiken, SC 29801 • Phone: 573-682-5521 • Fax: 573-682-8714  
E-mail: [hpsliterature@hps.hubbell.com](mailto:hpsliterature@hps.hubbell.com) • Website: <http://www.hubbellpowersystems.com>

NOTE: Because Hubbell has a policy of continuous product improvement, we reserve the right to change design and specifications without notice.