

CABLE ENTRY CABINET

APPLICATION

The Cable Entry Cabinet is a narrow, full-height cabinet that attaches to the side of a modular enclosure frame for cable management. The full-height side opening can be covered with a solid door or side cover. Closure plates are available to seal the top and bottom of the cable entry cabinet.

FEATURES

- Cable Entry Cabinets provide a clean solution for cable management, allowing more space inside the enclosure for electronics
- The full-height side opening can be covered with a solid door or side cover (not included)
- Cabinets have foam-in-place gasket and optional accessories to maintain enclosure environmental integrity

SPECIFICATIONS

- Open top and bottom of cabinet provide cable access and management
- Closure plates, available as optional accessories, seal the open ends of the cabinet
- 14 gauge (1.75mm) mild steel

FINISH

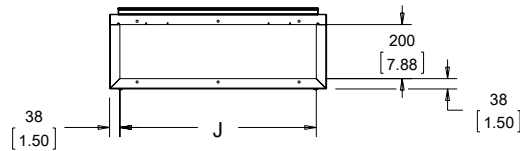
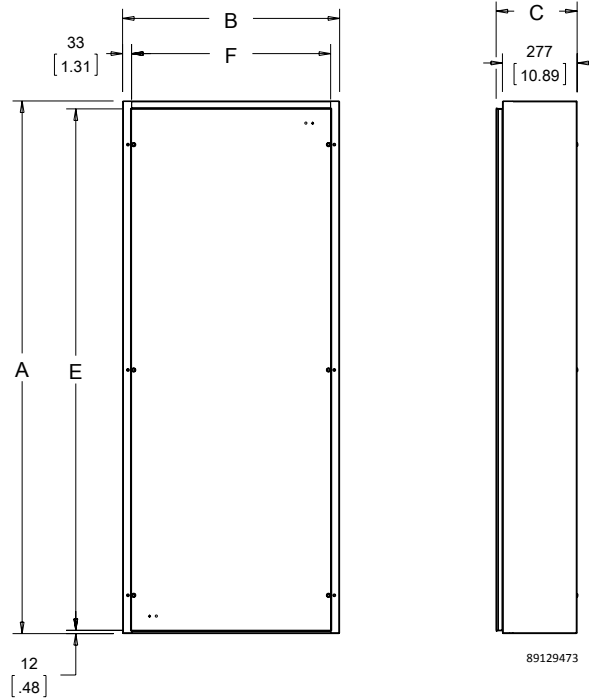
- Polyester powder paint; RAL 7035 textured light gray standard
- Custom colors available

ACCESSORIES

- Closure Plates
- Side Cover
- Solid Doors (Single or Overlapping Double)
- Window Doors (Single or Overlapping Double)

BULLETIN: P40
Standard Product

Catalog Number	AxBxC mm	AxBxC in.	Fits Frame H x D (mm)	E (mm)	E (in.)	F (mm)	F (in.)	J (mm)	J (in.)
P2FC125	1173 x 504 x 300	46.18 x 19.84 x 11.81	1200 x 500	1131	44.53	437	17.20	428	16.85
P2FC126	1173 x 604 x 300	46.18 x 23.78 x 11.81	1200 x 600	1131	44.53	537	21.14	528	20.79
P2FC128	1173 x 804 x 300	46.18 x 31.65 x 11.81	1200 x 800	1131	44.53	737	29.03	728	28.66
P2FC145	1373 x 504 x 300	54.06 x 19.84 x 11.81	1400 x 500	1331	52.41	437	17.20	428	16.85
P2FC148	1373 x 804 x 300	54.06 x 31.65 x 11.81	1400 x 800	1331	52.41	737	29.03	728	28.66
P2FC164	1573 x 404 x 300	61.93 x 15.91 x 11.81	1600 x 400	1531	60.28	337	13.27	328	12.91
P2FC165	1573 x 504 x 300	61.93 x 19.84 x 11.81	1600 x 500	1531	60.28	437	17.20	428	16.85
P2FC166	1573 x 604 x 300	61.93 x 23.78 x 11.81	1600 x 600	1531	60.28	537	21.14	528	20.79
P2FC168	1573 x 804 x 300	61.93 x 31.65 x 11.81	1600 x 800	1531	60.28	737	29.03	728	28.66
P2FC184	1773 x 404 x 300	69.80 x 15.91 x 11.81	1800 x 400	1731	68.15	337	13.27	328	12.91
P2FC185	1773 x 504 x 300	69.80 x 19.84 x 11.81	1800 x 500	1731	68.15	437	17.20	428	16.85
P2FC186	1773 x 604 x 300	69.80 x 23.78 x 11.81	1800 x 600	1731	68.15	537	21.14	528	20.79
P2FC188	1773 x 804 x 300	69.80 x 31.65 x 11.81	1800 x 800	1731	68.15	737	29.03	728	28.66
P2FC204	1973 x 404 x 300	77.68 x 15.91 x 11.81	2000 x 400	1931	76.04	337	13.27	328	12.91
P2FC205	1973 x 504 x 300	77.68 x 19.84 x 11.81	2000 x 500	1931	76.04	437	17.20	428	16.85
P2FC206	1973 x 604 x 300	77.68 x 23.78 x 11.81	2000 x 600	1931	76.04	537	21.14	528	20.79
P2FC208	1973 x 804 x 300	77.68 x 31.65 x 11.81	2000 x 800	1931	76.04	737	29.03	728	28.66
P2FC2010	1973 x 1004 x 300	77.68 x 39.53 x 11.81	2000 x 1000	1931	76.04	937	36.89	928	36.54
P2FC225	2173 x 504 x 300	85.55 x 19.84 x 11.81	2200 x 500	2131	83.91	437	17.20	428	16.85
P2FC226	2173 x 604 x 300	85.55 x 23.78 x 11.81	2200 x 600	2131	83.91	537	21.14	528	20.79
P2FC228	2173 x 804 x 300	85.55 x 31.65 x 11.81	2200 x 800	2131	83.91	737	29.03	728	28.66
P2FC2210	2173 x 1004 x 300	85.55 x 39.53 x 11.81	2200 x 1000	2131	83.91	937	36.89	928	36.54



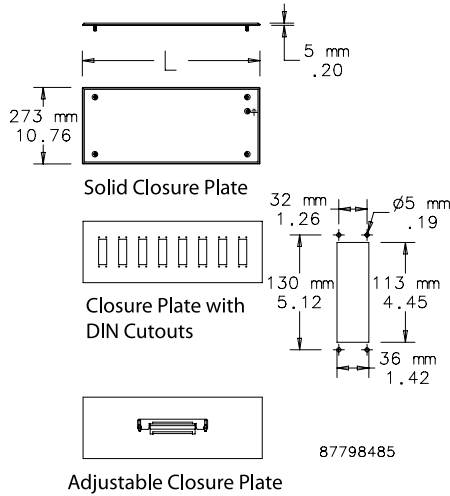
Model	Component	Type	Height	Depth	Catalog Number
P2	F	C	20	6	P2FC206
PROLINE G2	Frame	Blank = standard bay D = disconnect C = cable entry cabinet	mm 22 = 2200 20 = 2000 18 = 1800 16 = 1600 14 = 1400 12 = 1200 10 = 1000 8 = 800 6 = 600	mm 10 = 1000 8 = 800 6 = 600 5 = 500 4 = 400	

NOTE: Not every combination is available as a standard product.

CLOSURE PLATES

Closure Plates seal the ends of the Cable Entry Cabinet. Made from 14 gauge steel and finished with RAL 7035 textured gray polyester powder paint.

BULLETIN: P20, P40



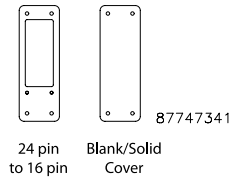
Catalog Number	Description	L mm/in.	Number of DIN Cutouts
PCECGPD5	With DIN cutouts - Fits 500-mm wide cable entry cabinets	497 19.57	5
PCECGPD8	With DIN cutouts - Fits 800-mm wide cable entry cabinets	797 31.38	8
PCEGPA6	Adjustable - Fits 600-mm wide cable entry cabinets	597 23.51	—
PCEGPA8	Adjustable - Fits 800-mm wide cable entry cabinets	797 31.38	—
P2FCP4	Solid - Fits 400-mm wide cable entry cabinets	397 15.63	—
P2FCP5	Solid - Fits 500-mm wide cable entry cabinets	497 19.57	—
P2FCP6	Solid - Fits 600-mm wide cable entry cabinets	597 23.51	—
P2FCP8	Solid - Fits 800-mm wide cable entry cabinets	797 31.38	—
P2FCP10	Solid - Fits 1000-mm wide cable entry cabinets	997 39.26	—

CLOSURE PLATE ADAPTERS FOR CUTOUTS

Adapters are used with closure plates containing cutouts. Made from 12 gauge steel and finished with RAL 7035 textured gray polyester powder paint. Allows the option of adapting from 24-pin to 16-pin, 24-pin to 10-pin, 24-pin to 6-pin and 24-pin to no pins (blank).

BULLETIN: P20

Closure Plate Adapters



Catalog Number	Description	Adapter Qty./Package
PAD240	From 24-pin to blank solid cover	1
PAD2416	From 24-pin to 16-pin	1
PAD2410	From 24-pin to 10-pin	1
PAD246	From 24-pin to 6-pin	1

Adapters fit all cable entry cabinets and barriers with 24-pin DIN connector cutouts.

Notes