

HF SIDE-MOUNT FILTER FANS



HF04
21 CFM (36 m³/Hr.)

HF05
35 CFM (59 m³/Hr.)

HF09
70 CFM (119 m³/Hr.)



HF10
159 CFM (270 m³/Hr.)

HF13
395 CFM (671 m³/Hr.)
484 CFM (822 m³/Hr.)

INDUSTRY STANDARDS

UL/cUL Listed; File No. E482010

CE
EAC
Type 12, IP54 standard (on all models except HF13)
Type 12, IP 55 optional (on all models except HF04)

APPLICATION

- Industrial automation
- Automotive assembly
- Package handling equipment
- Food and beverage process controls
- Wind energy systems

FEATURES

- Click-fit design quickly installs into enclosure wall; no tools or screws required
- Opens with the flick of a finger for easy filter replacement
- Enclosure side wall mounting
- Reverse airflow option on HF13 models available to push/pull air through higher static pressure
- Standard rope gasket provides proper seal to the enclosure
- Similar cut-out sizes as other filter fan manufacturers
- Terminal block connections
- Optional thermostat available to save energy and extend service life
- Hinged grille remains attached after opening

SPECIFICATIONS

- Size range from 4 in. (102 mm) to 13 in. (325 mm)
- Free air flow from 21 CFM (36 m³/hr.) to 484 CFM (822 m³/hr.)
- Service life hours from 40,000 to 100,000 hours
- Operating temperature range from -4 F/-20 C to 149 F/65 C

FINISH

- RAL 7035 light-gray, UV-resistant plastic standard
- RAL 9011 black, UV-resistant plastic

Performance Data **HF04 21 CFM (36 m³/hr.) Side-Mount Filter Fans**

| ELECTRICAL DATA | | | | |
|--|-------------------------------------|-----------|-----------|-----------|
| Rated Voltage | 115 | 230 | 24* | 48* |
| Frequency (Hz) | 50/60 | 50/60 | — | — |
| Nominal Current Maximum (Amps) | .10 | .07 | .14 | .06 |
| Power Consumption Maximum (Watts) | 8.5/7.0 | 9.5/8.0 | 3.4 | 2.9 |
| Power Connection | Terminal Block | | | |
| TYPE 12 / IP54 FILTER FANS | | | | |
| RAL 7035 Light Gray: | | | | |
| Catalog Number | HF0416414 | HF0426414 | HF0424414 | HF0448414 |
| RAL 9011 Black: | | | | |
| Catalog Number | HF0416413 | HF0426413 | HF0424413 | HF0448413 |
| Free Airflow (CFM / m ³ /hr.) | 21/36 | 21/36 | 21/36 | 21/36 |
| Airflow with 1 Exhaust Grille (CFM / m ³ /hr.) | 12/20 | 12/20 | 12/20 | 12/20 |
| Airflow with 2 Exhaust Grilles (CFM / m ³ /hr.) | 15/25 | 15/25 | 15/25 | 15/25 |
| FILTER FAN UNIT CONSTRUCTION | | | | |
| Fan RPM | 3250 | 3250 | 2100 | 3300 |
| Sound Pressure (dBA at 50/60 Hz) | 34/36 | 34/36 | 34/36 | 34/36 |
| Operating Temperature Range: | | | | |
| Maximum (°F / °C) | 131/55 | 131/55 | 149/65 | 149/65 |
| Minimum (°F / °C) | 14/-10 | 14/-10 | -4/-20 | -4/-20 |
| Service Life (hours) at 40 C | 61,000 | 61,000 | 51,000 | 70,000 |
| Unit Dimensions - H x W x D (in. / mm) | 4.42 x 4.44 x 3.65 / 112 x 113 x 93 | | | |
| Cutout Dimensions - H x W (in. / mm) | 3.62 x 3.62/92 x 92 | | | |
| Weight (lb. / kg) | .91/.40 | | | |
| TYPE 12 / IP54 EXHAUST GRILLES | | | | |
| RAL 7035 Light Gray: | | | | |
| Catalog Number | HG0400404 | HG0400404 | HG0400404 | HG0400404 |
| RAL 9011 Black: | | | | |
| Catalog Number | HG0400403 | HG0400403 | HG0400403 | HG0400403 |
| ACCESSORIES | | | | |
| Replacement Filters: | | | | |
| Type 12 / IP54 Catalog Number | 89134423R | 89134423R | 89134423R | 89134423R |
| Thermostat Catalog Number (°F) | THERM16F | THERM26F | — | — |
| Thermostat Catalog Number (°C) | THERM16C | THERM26C | — | — |

Above airflow rates at 60 Hz; see performance curves for airflow at 50 Hz and more details.

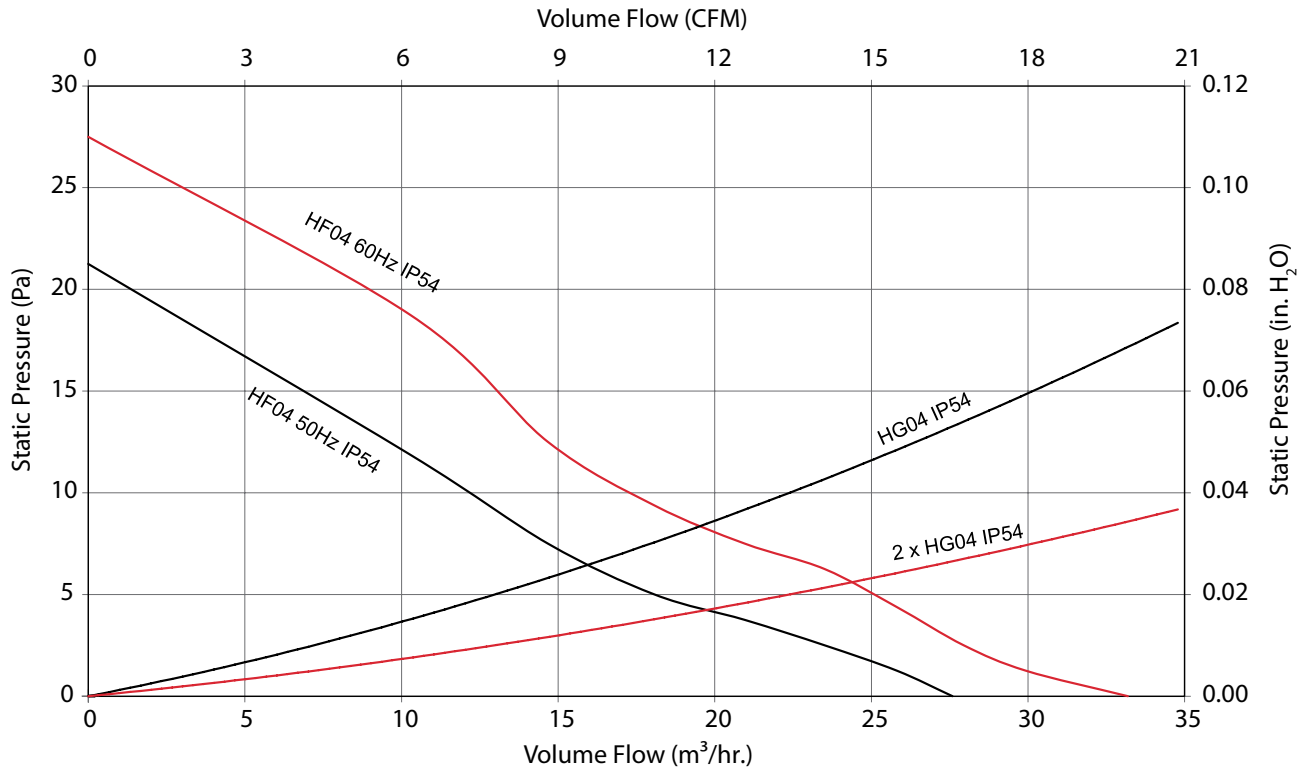
Unit depth is from the back edge of the grille to the back of the fan.

Exhaust Grilles sold separately.

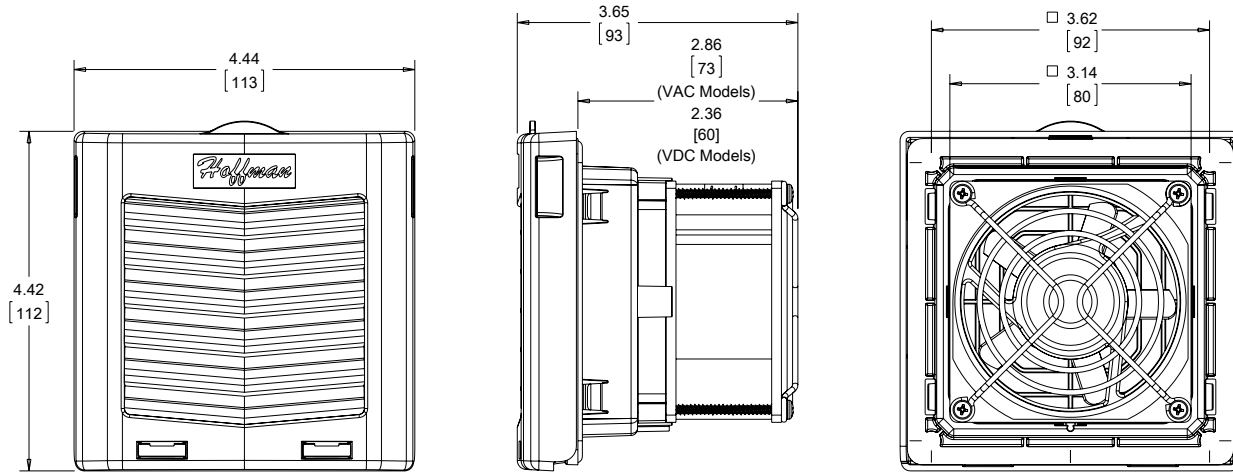
* This indicates a DC Voltage.

Performance Curves for HF04 Models 21 CFM (36 m³/hr.) Side-Mount Filter Fans

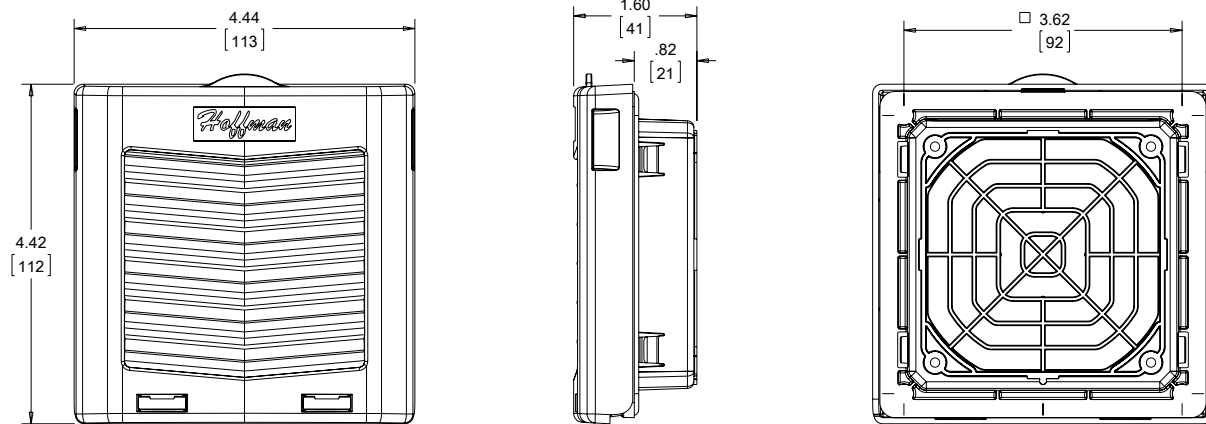
HF04 Capacity Curve, IP54



HF04 21 CFM (36 m³/hr.) Side-Mount Filter Fans

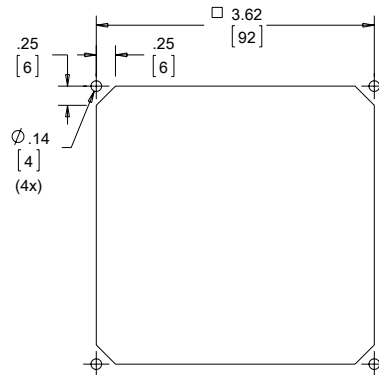


Exhaust Grille



Order exhaust grille kits separately.

89140582



Cutout Dimensions

Visit nVent.com/HOFFMAN to download 2D and 3D CAD drawings into the overall design of your electrical system.

Performance Data **HF05 35 CFM (59 m³/hr.) Side-Mount Filter Fans**

| ELECTRICAL DATA | | | | |
|--|---------------------------------------|-----------|-----------|-----------|
| Rated Voltage | 115 | 230 | 24* | 48* |
| Frequency (Hz) | 50/60 | 50/60 | — | — |
| Nominal Current Maximum (Amps) | .16/.14 | .12/.10 | .35 | .17 |
| Power Consumption Maximum (Watts) | 11.0/10.0 | 15.0/14.0 | 8.4 | 8.2 |
| Power Connection | Terminal Block | | | |
| TYPE 12 / IP54 FILTER FANS | | | | |
| RAL 7035 Light Gray: | | | | |
| Catalog Number | HF0516414 | HF0526414 | HF0524414 | HF0548414 |
| RAL 9011 Black: | | | | |
| Catalog Number | HF0516413 | HF0526413 | HF0524413 | HF0548413 |
| Free Airflow (CFM / m ³ /hr.) | 35/59 | 35/59 | 35/59 | 35/59 |
| Airflow with 1 Exhaust Grille (CFM / m ³ /hr.) | 23/39 | 23/39 | 23/39 | 23/39 |
| Airflow with 2 Exhaust Grilles (CFM / m ³ /hr.) | 28/48 | 28/48 | 28/48 | 28/48 |
| TYPE 12 / IP55 FILTER FANS | | | | |
| RAL 7035 Light Gray: | | | | |
| Catalog Number | HF0516514 | HF0526514 | HF0524514 | HF0548514 |
| RAL 9011 Black: | | | | |
| Catalog Number | HF0516513 | HF0526513 | HF0524513 | HF0548513 |
| Free Airflow (CFM / m ³ /hr.) | 12/20 | 12/20 | 12/20 | 12/20 |
| Airflow with 1 Exhaust Grille (CFM / m ³ /hr.) | 8/14 | 8/14 | 8/14 | 8/14 |
| Airflow with 2 Exhaust Grilles (CFM / m ³ /hr.) | 9/15 | 9/15 | 9/15 | 9/15 |
| FILTER FAN UNIT CONSTRUCTION | | | | |
| Fan RPM | 2600/2900 | 2600/2900 | 3200 | 3200 |
| Sound Pressure (dBA at 50/60 Hz) | 40/44 | 40/44 | 40/44 | 40/44 |
| Operating Temperature Range: | | | | |
| Maximum (°F / °C) | 131/55 | 131/55 | 149/65 | 149/65 |
| Minimum (°F / °C) | 14/-10 | 14/-10 | -4/-20 | 14/-10 |
| Service Life (hours) at 40 C | 40,000 | 40,000 | 100,000 | 100,000 |
| Unit Dimensions - H x W x D (in. / mm) | 6.15 x 6.16 x 3.98/156 x 157 x 101 | | | |
| Cutout Dimensions - H x W (in. / mm) | 4.92 x 4.92/125 x 125 | | | |
| Weight (lb. / kg) | 1.77/.80 | | | |
| TYPE 12 / IP54 EXHAUST GRILLES | | | | |
| RAL 7035 Light Gray: | | | | |
| Catalog Number | HG0500404 | HG0500404 | HG0500404 | HG0500404 |
| RAL 9011 Black: | | | | |
| Catalog Number | HG0500403 | HG0500403 | HG0500403 | HG0500403 |
| TYPE 12 / IP55 EXHAUST GRILLES | | | | |
| RAL 7035 Light Gray: | | | | |
| Catalog Number | HG0500504 | HG0500504 | HG0500504 | HG0500504 |
| RAL 9011 Black: | | | | |
| Catalog Number | HG0500503 | HG0500503 | HG0500503 | HG0500503 |
| ACCESSORIES | | | | |
| Replacement Filters: | | | | |
| Type 12 / IP54 Catalog Number | 89134424R | 89134424R | 89134424R | 89134424R |
| Type 12 / IP55 Catalog Number | 89136408R | 89136408R | 89136408R | 89136408R |
| Thermostat Catalog Number (°F) | THERM16F | THERM26F | — | — |
| Thermostat Catalog Number (°C) | THERM16C | THERM26C | — | — |
| Shroud Catalog Number | HH05GS35001, HH05GS61001, HH05SS04001 | | | |

Above airflow rates at 60 Hz; see performance curves for airflow at 50 Hz and more details.

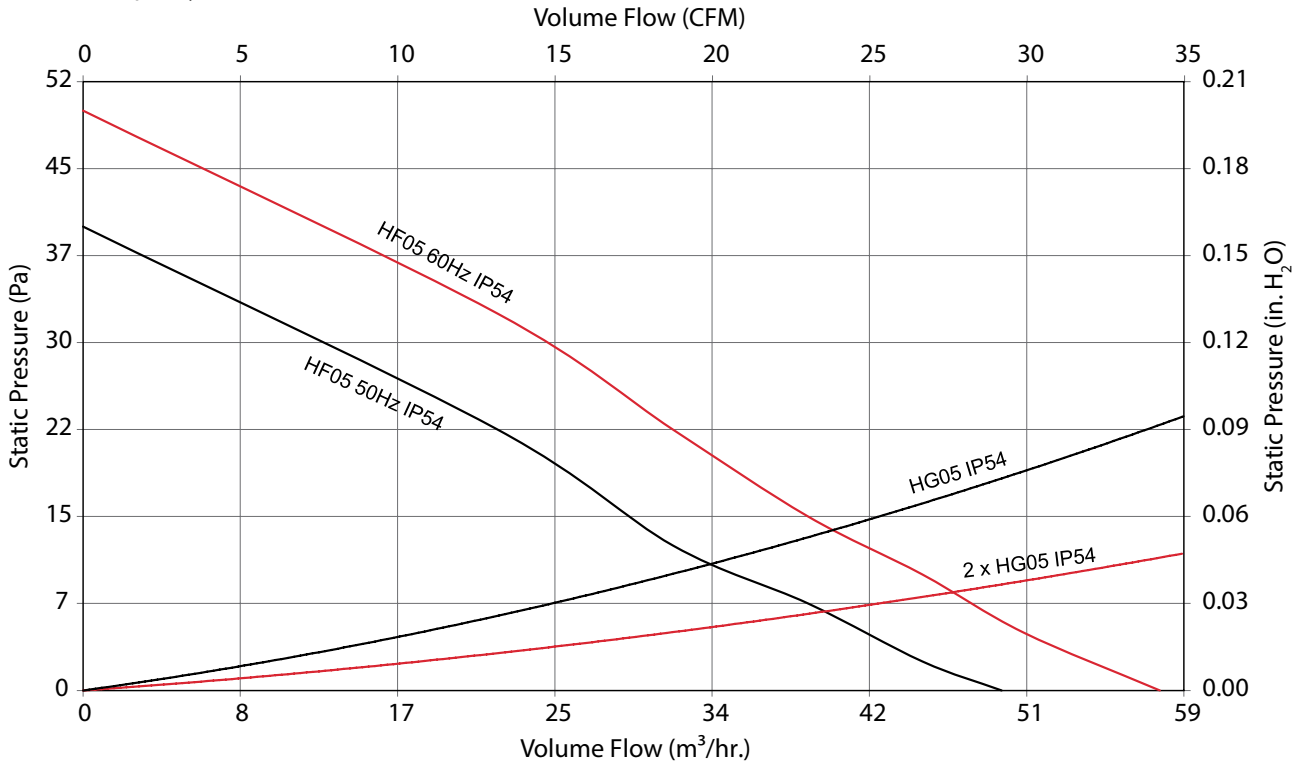
Unit depth is from the back edge of the grille to the back of the fan.

Exhaust Grilles sold separately.

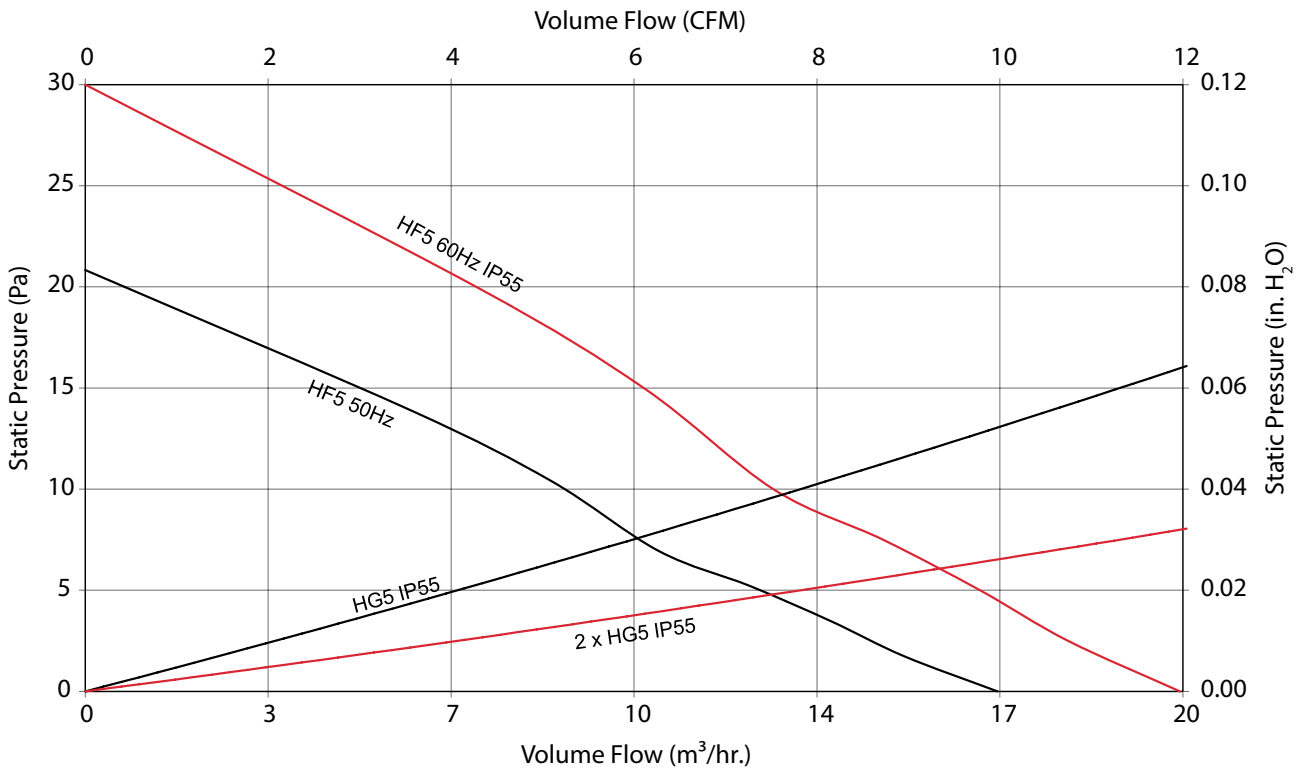
* This indicates a DC Voltage.

Performance Curves for HF05 Models 35 CFM (59 m³/hr.) Side-Mount Filter Fans

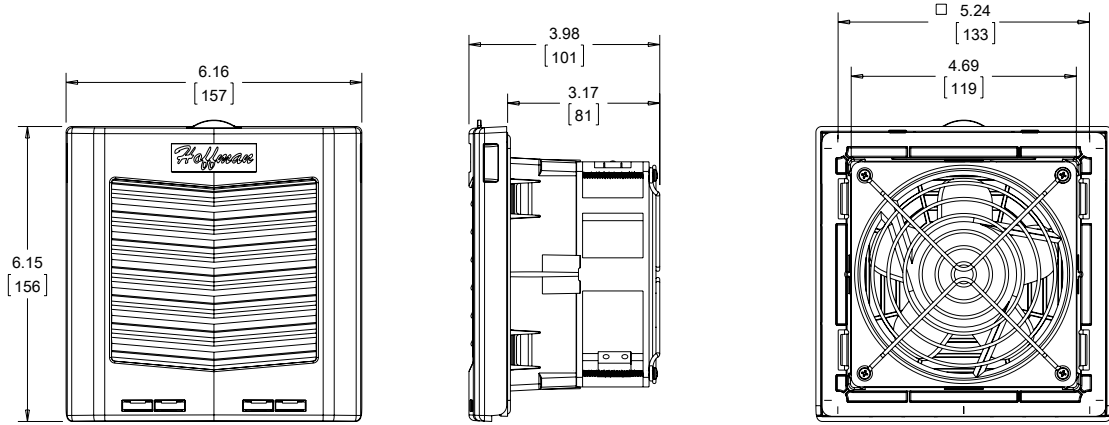
HF05 Capacity Curve, IP54



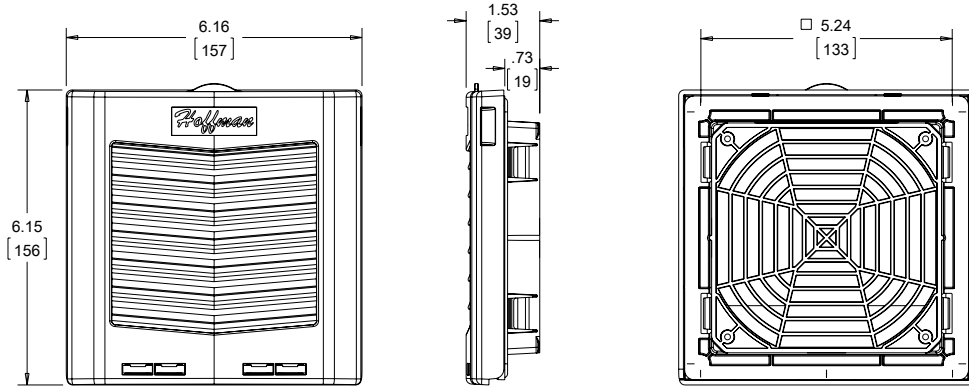
HF05 Capacity Curve, IP55



HF05 35 CFM (59 m³/hr.) Side-Mount Filter Fans

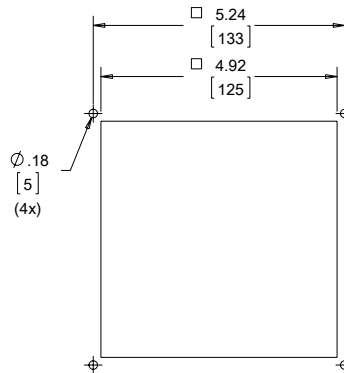


Exhaust Grille



Order exhaust grille kits separately.

89140583



Cutout Dimensions

Visit nVent.com/HOFFMAN to download 2D and 3D CAD drawings into the overall design of your electrical system.

Performance Data **HF09 70 CFM (119 m³/hr.) Side-Mount Filter Fans**

| ELECTRICAL DATA | | | | |
|--|---------------------------------------|-----------|-----------|-----------|
| Rated Voltage | 115 | 230 | 24* | 48* |
| Frequency (Hz) | 50/60 | 50/60 | — | — |
| Nominal Current Maximum (Amps) | .16/.14 | .12/.10 | .35 | .17 |
| Power Consumption Maximum (Watts) | 11.0/10.0 | 15.0/14.0 | 8.4 | 8.2 |
| Power Connection | Terminal Block | | | |
| TYPE 12 / IP54 FILTER FANS | | | | |
| RAL 7035 Light Gray: | | | | |
| Catalog Number | HF0916414 | HF0926414 | HF0924414 | HF0948414 |
| RAL 9011 Black: | | | | |
| Catalog Number | HF0916413 | HF0926413 | HF0924413 | HF0948413 |
| Free Airflow (CFM / m ³ /hr.) | 70/119 | 70/119 | 70/119 | 70/119 |
| Airflow with 1 Exhaust Grille (CFM / m ³ /hr.) | 44/75 | 44/75 | 44/75 | 44/75 |
| Airflow with 2 Exhaust Grilles (CFM / m ³ /hr.) | 55/93 | 55/93 | 55/93 | 55/93 |
| TYPE 12 / IP55 FILTER FANS | | | | |
| RAL 7035 Light Gray: | | | | |
| Catalog Number | HF0916514 | HF0926514 | HF0924514 | HF0948514 |
| RAL 9011 Black: | | | | |
| Catalog Number | HF0916513 | HF0926513 | HF0924513 | HF0948513 |
| Free Airflow (CFM / m ³ /hr.) | 33/56 | 33/56 | 33/56 | 33/56 |
| Airflow with 1 Exhaust Grille (CFM / m ³ /hr.) | 23/39 | 23/39 | 23/39 | 23/39 |
| Airflow with 2 Exhaust Grilles (CFM / m ³ /hr.) | 26/44 | 26/44 | 26/44 | 26/44 |
| FILTER FAN UNIT CONSTRUCTION | | | | |
| Fan RPM | 2600/2900 | 2600/2900 | 3200 | 3200 |
| Sound Pressure (dBA at 50/60 Hz) | 43/46 | 43/46 | 43/46 | 43/46 |
| Operating Temperature Range: | | | | |
| Maximum (°F / °C) | 131/55 | 131/55 | 149/65 | 149/65 |
| Minimum (°F / °C) | 14/-10 | 14/-10 | -4/-20 | 14/-10 |
| Service Life (hours) at 40 C | 40,000 | 40,000 | 100,000 | 100,000 |
| Unit Dimensions - H x W x D (in. / mm) | 8.19 x 8.21 x 4.15/208 x 209 x 105 | | | |
| Cutout Dimensions - H x W (in. / mm) | 6.97 x 6.97/177 x 177 | | | |
| Weight (lb. / kg) | 2.13/1.0 | | | |
| TYPE 12 / IP54 EXHAUST GRILLES | | | | |
| RAL 7035 Light Gray: | | | | |
| Catalog Number | HG0900404 | HG0900404 | HG0900404 | HG0900404 |
| RAL 9011 Black: | | | | |
| Catalog Number | HG0900403 | HG0900403 | HG0900403 | HG0900403 |
| TYPE 12 / IP55 EXHAUST GRILLES | | | | |
| RAL 7035 Light Gray: | | | | |
| Catalog Number | HG0900504 | HG0900504 | HG0900504 | HG0900504 |
| RAL 9011 Black: | | | | |
| Catalog Number | HG0900503 | HG0900503 | HG0900503 | HG0900503 |
| ACCESSORIES | | | | |
| Replacement Filters: | | | | |
| Type 12 / IP54 Catalog Number | 89134425R | 89134425R | 89134425R | 89134425R |
| Type 12 / IP55 Catalog Number | 89136409R | 89136409R | 89136409R | 89136409R |
| Thermostat Catalog Number (°F) | THERM16F | THERM26F | — | — |
| Thermostat Catalog Number (°C) | THERM16C | THERM26C | — | — |
| Shroud Catalog Number | HH10GS35001, HH10GS61001, HH10SS04001 | | | |

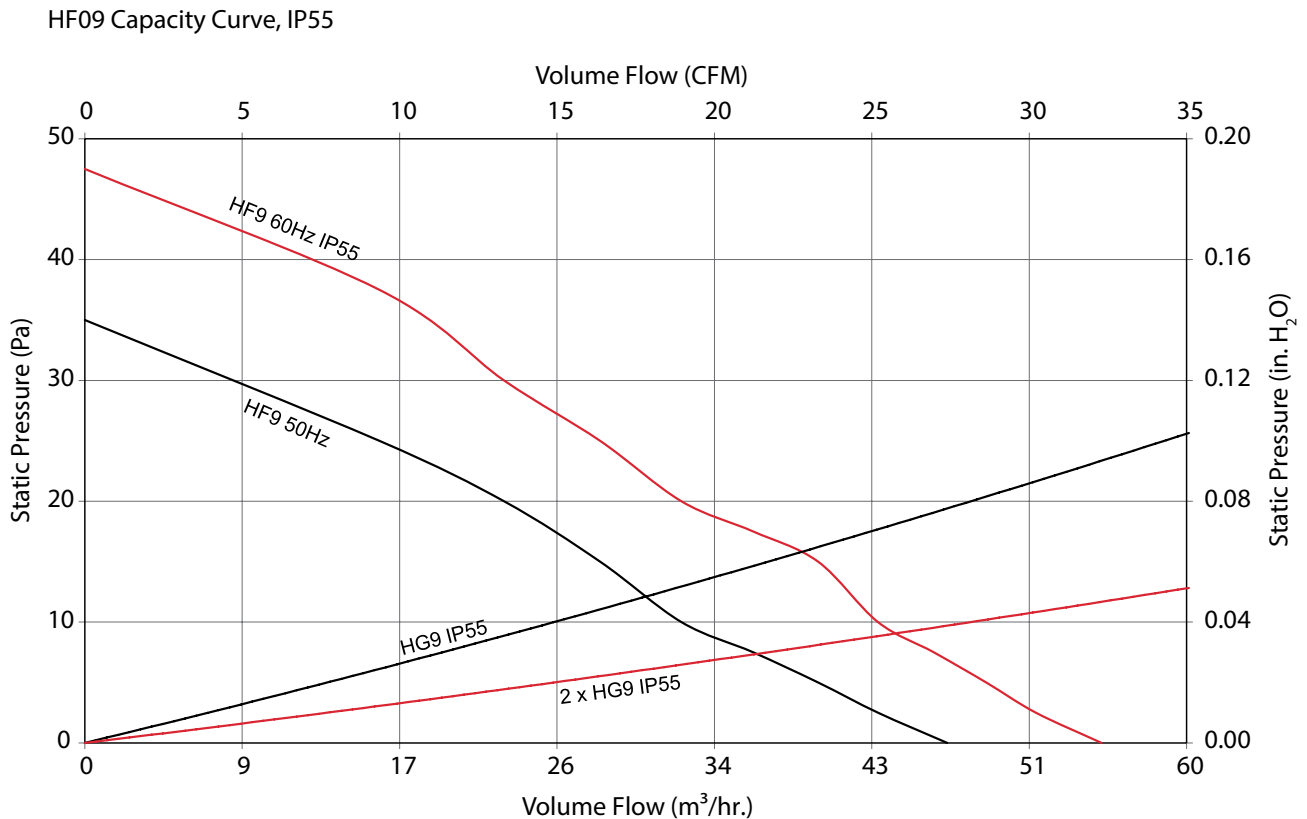
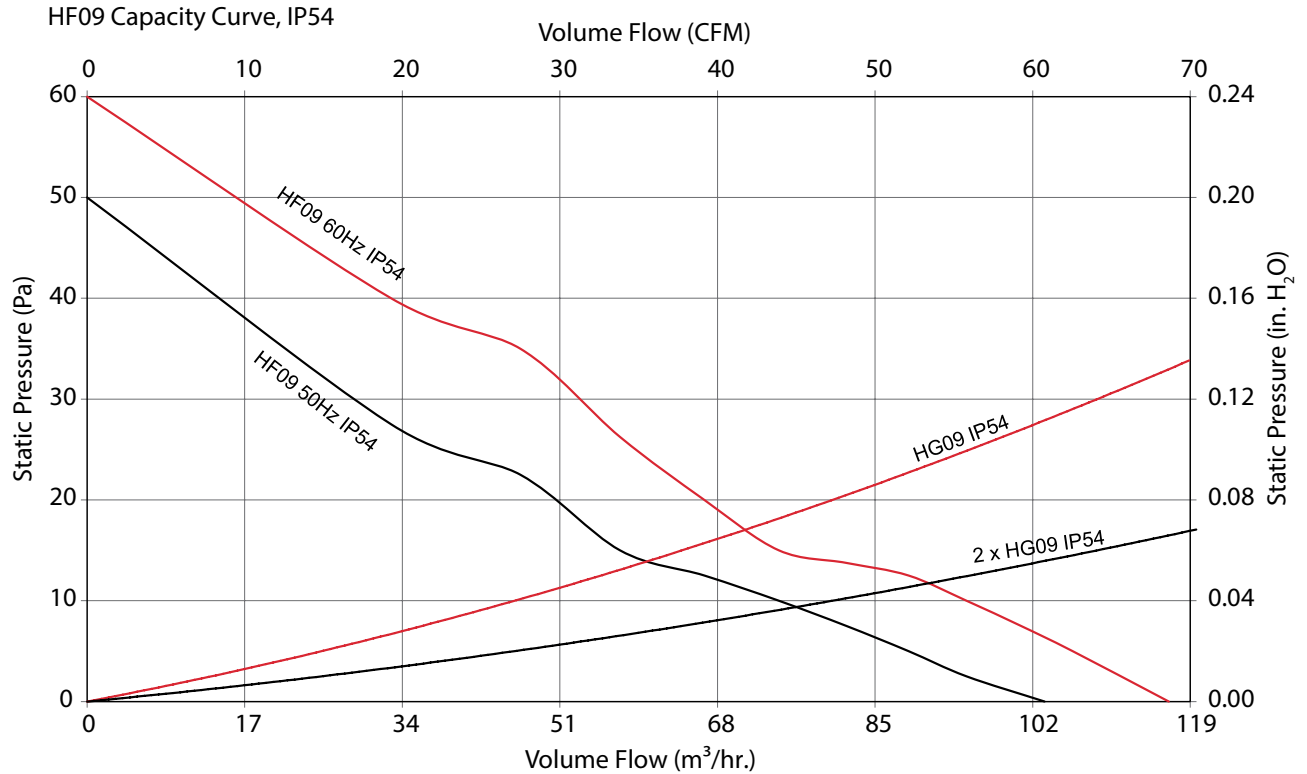
Above airflow rates at 60 Hz; see performance curves for airflow at 50 Hz and more details.

Unit depth is from the back edge of the grille to the back of the fan.

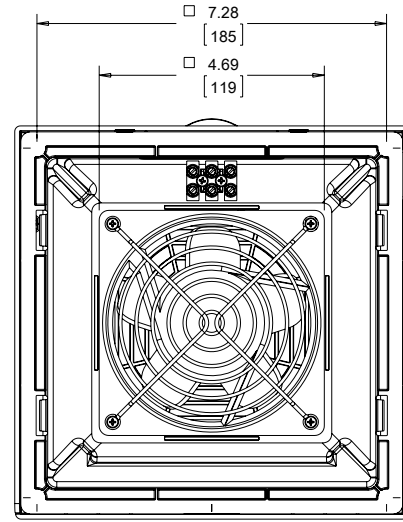
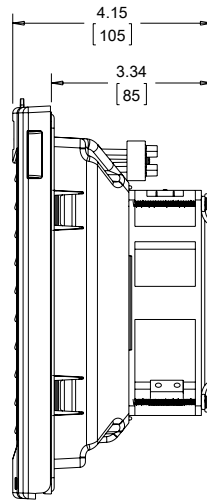
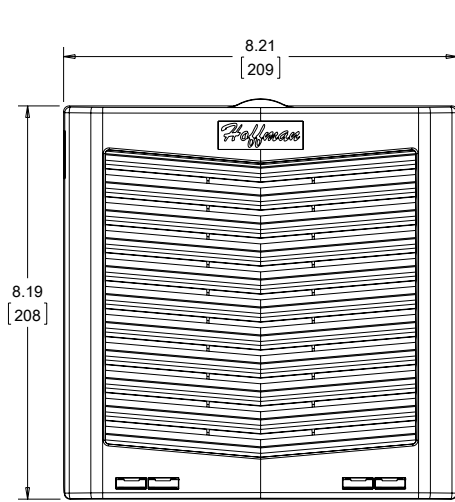
Exhaust Grilles sold separately.

* This indicates a DC Voltage.

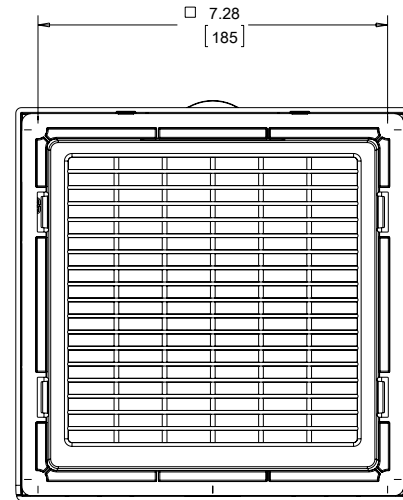
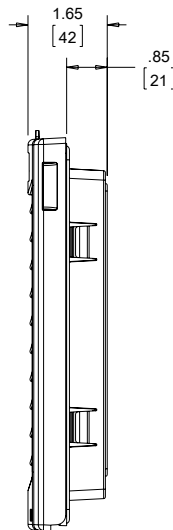
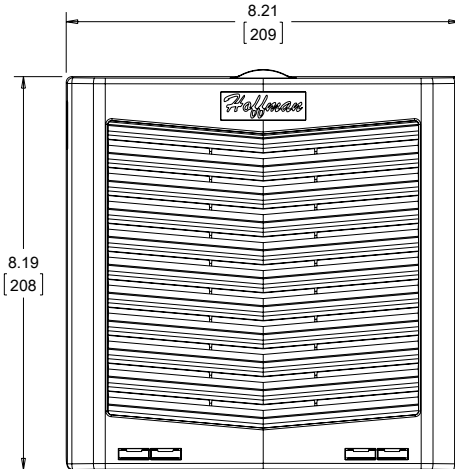
Performance Curves for HF09 Models 70 CFM (119 m³/hr.) Side-Mount Filter Fans



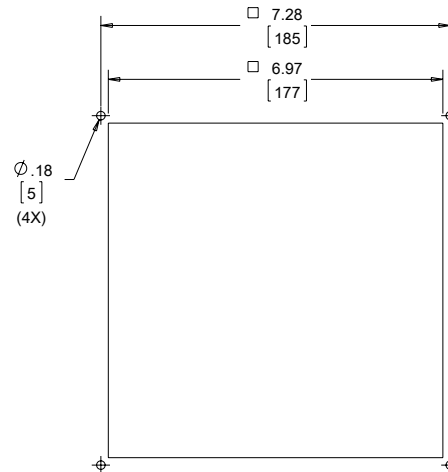
HF09 70 CFM (119 m³/hr.) Side-Mount Filter Fans



Exhaust Grille



89140584



Cutout Dimensions

Visit nVent.com/HOFFMAN to download 2D and 3D CAD drawings into the overall design of your electrical system.

Performance Data **HF10 159 CFM (270 m³/Hr.) Side-Mount Filter Fans**

| ELECTRICAL DATA | | | | |
|--|---------------------------------------|-----------|-----------|-----------|
| Rated Voltage | 115 | 230 | 24* | 48* |
| Frequency (Hz) | 50/60 | 50/60 | — | — |
| Nominal Current Maximum (Amps) | .38/.36 | .18/.19 | .88 | .32 |
| Power Consumption Maximum (Watts) | 35/32 | 38/35 | 21.1 | 15.4 |
| Power Connection | Terminal Block | | | |
| TYPE 12 / IP54 FILTER FANS | | | | |
| RAL 7035 Light Gray: | | | | |
| Catalog Number | HF1016414 | HF1026414 | HF1024414 | HF1048414 |
| RAL 9011 Black: | | | | |
| Catalog Number | HF1016413 | HF1026413 | HF1024413 | HF1048413 |
| Free Airflow (CFM / m ³ /hr.) | 159/270 | 159/270 | 159/270 | 159/270 |
| Airflow with 1 Exhaust Grille (CFM / m ³ /hr.) | 128/217 | 128/217 | 128/217 | 128/217 |
| Airflow with 2 Exhaust Grilles (CFM / m ³ /hr.) | 151/257 | 151/257 | 151/257 | 151/257 |
| TYPE 12 / IP55 FILTER FANS | | | | |
| RAL 7035 Light Gray: | | | | |
| Catalog Number | HF1016514 | HF1026514 | HF1024514 | HF1048514 |
| RAL 9011 Black: | | | | |
| Catalog Number | HF1016513 | HF1026513 | HF1024513 | HF1048513 |
| Free Airflow (CFM / m ³ /hr.) | 103/175 | 103/175 | 103/175 | 103/175 |
| Airflow with 1 Exhaust Grille (CFM / m ³ /hr.) | 80/136 | 80/136 | 80/136 | 80/136 |
| Airflow with 2 Exhaust Grilles (CFM / m ³ /hr.) | 87/148 | 87/148 | 87/148 | 87/148 |
| FILTER FAN UNIT CONSTRUCTION | | | | |
| Fan RPM | 2700/3200 | 2700/3200 | 3750 | 3500 |
| Sound Pressure (dBA at 50/60 Hz) | 53/56 | 53/56 | 53/56 | 53/56 |
| Operating Temperature Range: | | | | |
| Maximum (°F / °C) | 131/55 | 131/55 | 131/55 | 131/55 |
| Minimum (°F / °C) | 14/-10 | 14/-10 | 14/-10 | 14/-10 |
| Service Life (hours) at 40 C | 97,000 | 97,000 | 76,000 | 76,000 |
| Unit Dimensions - H x W x D (in. / mm) | 10.13 x 10.14 x 4.68/257 x 258 x 119 | | | |
| Cutout Dimensions - H x W (in. / mm) | 8.78 x 8.78/223 x 223 | | | |
| Weight (lb. / kg) | 3.14/1.40 | | | |
| TYPE 12 / IP54 EXHAUST GRILLES | | | | |
| RAL 7035 Light Gray: | | | | |
| Catalog Number | HG1000404 | HG1000404 | HG1000404 | HG1000404 |
| RAL 9011 Black: | | | | |
| Catalog Number | HG1000403 | HG1000403 | HG1000403 | HG1000403 |
| TYPE 12 / IP55 EXHAUST GRILLES | | | | |
| RAL 7035 Light Gray: | | | | |
| Catalog Number | HG1000504 | HG1000504 | HG1000504 | HG1000504 |
| RAL 9011 Black: | | | | |
| Catalog Number | HG1000503 | HG1000503 | HG1000503 | HG1000503 |
| ACCESSORIES | | | | |
| Replacement Filters: | | | | |
| Type 12 / IP54 Catalog Number | 89134426R | 89134426R | 89134426R | 89134426R |
| Type 12 / IP55 Catalog Number | 89136410R | 89136410R | 89136410R | 89136410R |
| Thermostat Catalog Number (°F) | THERM16F | THERM26F | — | — |
| Thermostat Catalog Number (°C) | THERM16C | THERM26C | — | — |
| Shroud Catalog Number | HH10GS35001, HH10GS61001, HH10SS04001 | | | |

Above airflow rates at 60 Hz; see performance curves for airflow at 50 Hz and more details.

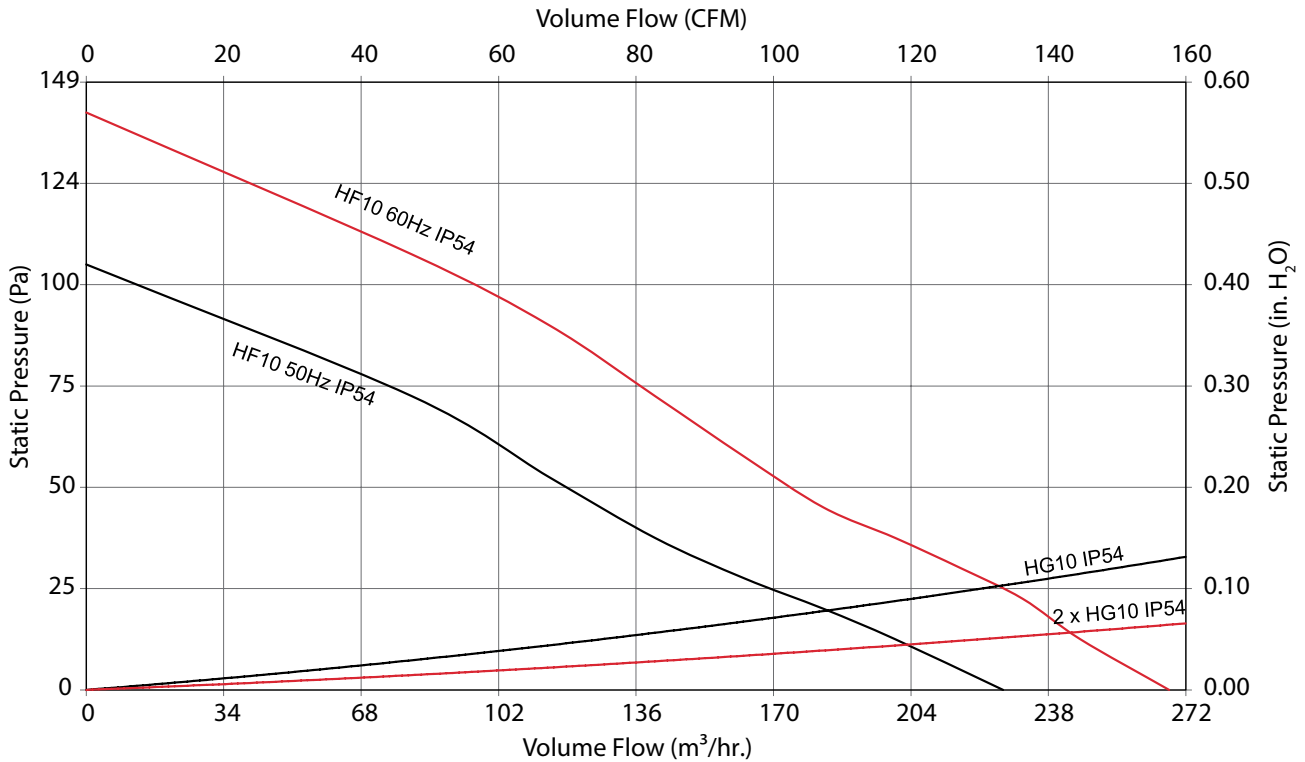
Unit depth is from the back edge of the grille to the back of the fan.

Exhaust Grilles sold separately.

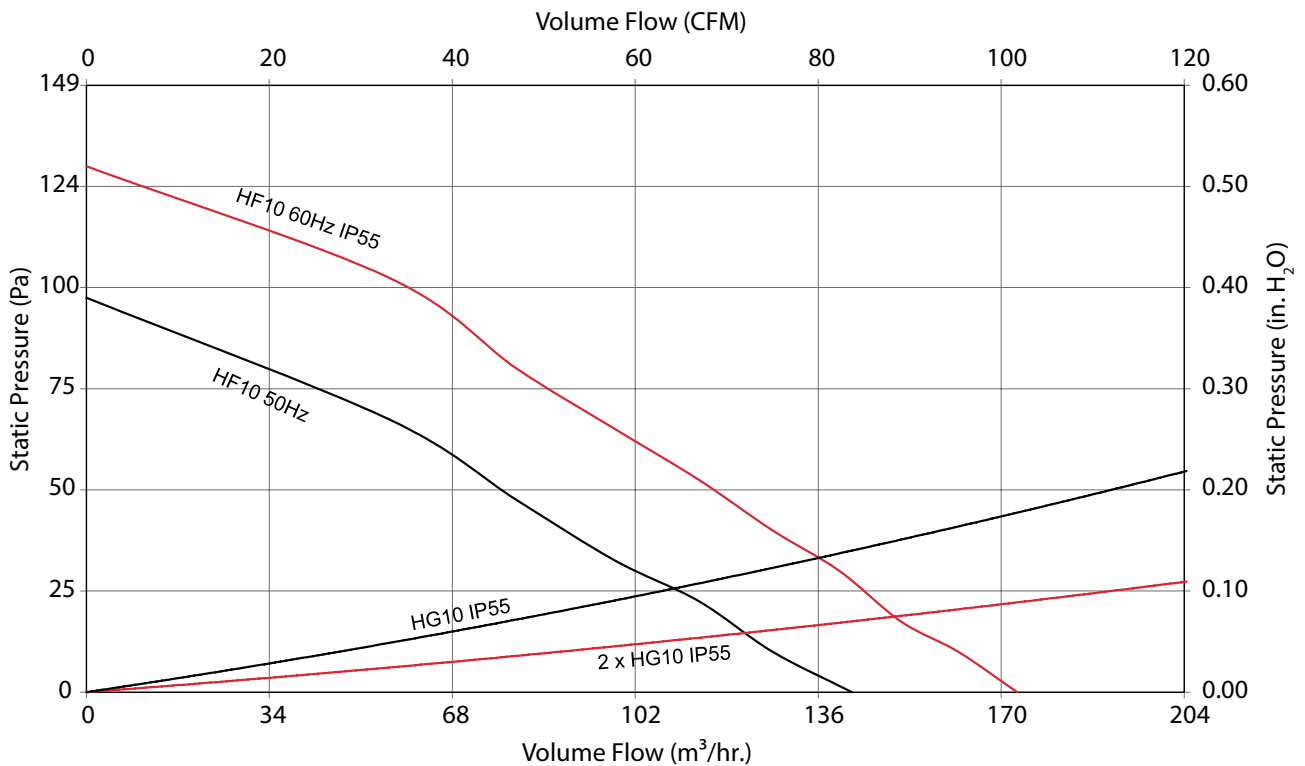
* This indicates a DC Voltage.

Performance Curves for HF10 Models 159 CFM (270 m³/hr.) Side-Mount Filter Fans

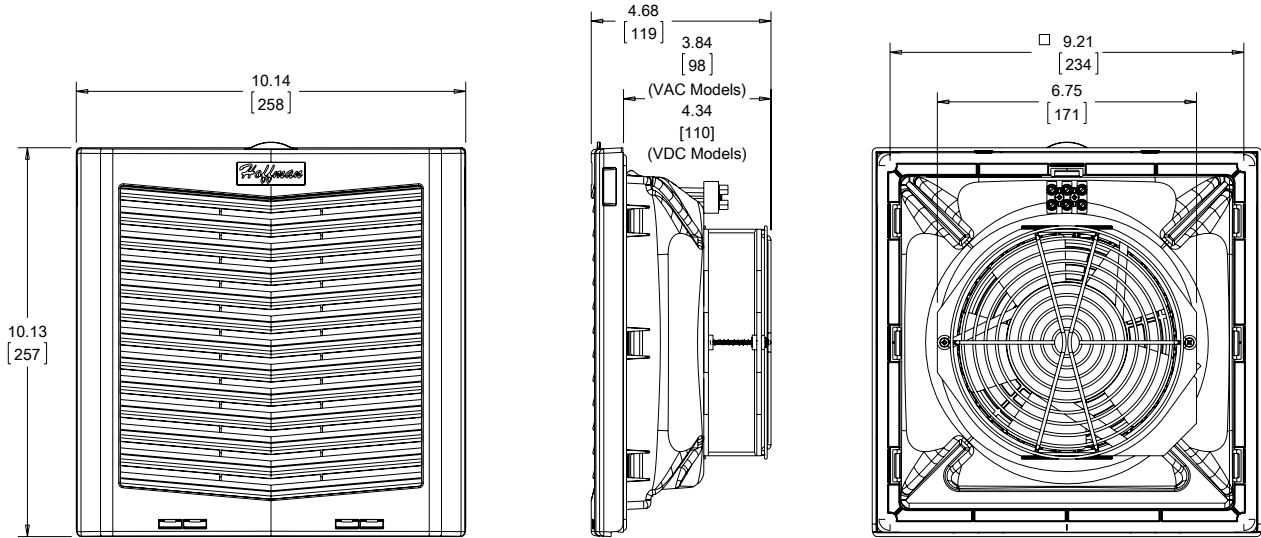
HF10 Capacity Curve, IP54



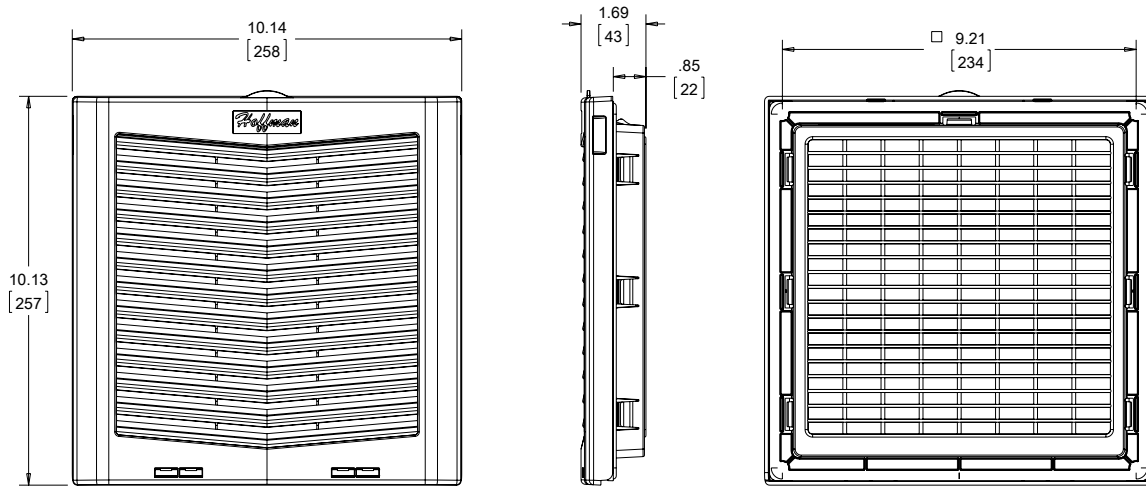
HF10 Capacity Curve, IP55



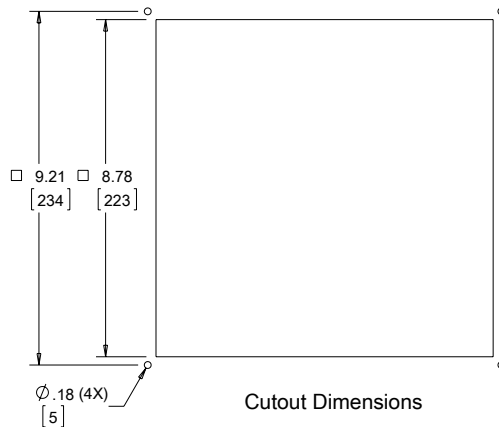
HF10 159 CFM (270 m³/Hr.) Side-Mount Filter Fans



Exhaust Grille



89140585



Visit nVent.com/HOFFMAN to download 2D and 3D CAD drawings into the overall design of your electrical system.

Performance Data **HF13 395 CFM (671 m³/hr.) Side-Mount Filter Fans - Standard and Reverse**

| ELECTRICAL DATA | | | | | | |
|--|---------------------------------------|-----------|-----------|-----------|------------|------------|
| Rated Voltage | 115 | 230 | 24* | 48* | 115 Rvrs | 230 Rvrs |
| Frequency (Hz) | 50/60 | 50/60 | — | — | 50/60 | 50/60 |
| Nominal Current Maximum (Amps) | .76/.88 | .34/.37 | 2.6 | 1.12 | .76/.88 | .34/.37 |
| Power Consumption Maximum (Watts) | 65/72 | 74/80 | 55 | 54 | 65/72 | 74/80 |
| Power Connection | Terminal Block | | | | | |
| TYPE 12 / IP54 FILTER FANS | | | | | | |
| RAL 7035 Light Gray: | | | | | | |
| Catalog Number | HF1316414 | HF1326414 | HF1324414 | HF1348414 | HF1316414R | HF1326414R |
| RAL 9011 Black: | | | | | | |
| Catalog Number | HF1316413 | HF1326413 | HF1324413 | HF1348413 | HF1316413R | HF1326413R |
| Free Airflow (CFM / m ³ /hr.) | 395/671 | 395/671 | 395/671 | 395/671 | 395/671 | 395/671 |
| Airflow with 1 Exhaust Grille (CFM / m ³ /hr.) | 281/477 | 281/477 | 281/477 | 281/477 | 281/477 | 281/477 |
| Airflow with 2 Exhaust Grilles (CFM / m ³ /hr.) | 366/621 | 366/621 | 366/621 | 366/621 | 366/621 | 366/621 |
| TYPE 12 / IP55 FILTER FANS | | | | | | |
| RAL 7035 Light Gray: | | | | | | |
| Catalog Number | HF1316514 | HF1326514 | HF1324514 | HF1348514 | HF1316514R | HF1326514R |
| RAL 9011 Black: | | | | | | |
| Catalog Number | HF1316513 | HF1326513 | HF1324513 | HF1348513 | HF1316513R | HF1326513R |
| Free Airflow (CFM / m ³ /hr.) | 149/253 | 149/253 | 149/253 | 149/253 | 149/253 | 149/253 |
| Airflow with 1 Exhaust Grille (CFM / m ³ /hr.) | 100/170 | 100/170 | 100/170 | 100/170 | 100/170 | 100/170 |
| Airflow with 2 Exhaust Grilles (CFM / m ³ /hr.) | 113/192 | 113/192 | 113/192 | 113/192 | 113/192 | 113/192 |
| FILTER FAN UNIT CONSTRUCTION | | | | | | |
| Fan RPM | 2600/3000 | 2600/3000 | 2950 | 2950 | 2600/3000 | 2600/3000 |
| Sound Pressure (dBA at 50/60 Hz) | 57/59 | 57/59 | 57/59 | 57/59 | 57/59 | 57/59 |
| Operating Temperature Range: | | | | | | |
| Maximum (°F / °C) | 131/55 | 131/55 | 135/55 | 135/55 | 131/55 | 131/55 |
| Minimum (°F / °C) | 14/-10 | 14/-10 | 14/-10 | 14/-10 | 14/-10 | 14/-10 |
| Service Life (hours) at 40 C | 59,000 | 59,000 | 57,000 | 57,000 | 59,000 | 57,000 |
| Unit Dimensions - H x W x D (in. / mm) | 12.8 x 12.82 x 6.30/325 x 326 x 160 | | | | | |
| Cutout Dimensions - H x W (in. / mm) | 11.5 x 11.5/292 x 292 | | | | | |
| Weight (lb. / kg) | 4.25/1.90 | | | | | |
| TYPE 12 / IP54 EXHAUST GRILLES | | | | | | |
| RAL 7035 Light Gray: | | | | | | |
| Catalog Number | HG1300404 | HG1300404 | HG1300404 | HG1300404 | HG1300404 | HG1300404 |
| RAL 9011 Black: | | | | | | |
| Catalog Number | HG1300403 | HG1300403 | HG1300403 | HG1300403 | HG1300403 | HG1300403 |
| TYPE 12 / IP55 EXHAUST GRILLES | | | | | | |
| RAL 7035 Light Gray: | | | | | | |
| Catalog Number | HG1300504 | HG1300504 | HG1300504 | HG1300504 | HG1300504 | HG1300504 |
| RAL 9011 Black: | | | | | | |
| Catalog Number | HG1300503 | HG1300503 | HG1300503 | HG1300503 | HG1300503 | HG1300503 |
| ACCESSORIES | | | | | | |
| Replacement Filters: | | | | | | |
| Type 12 / IP54 Catalog Number | 89134427R | 89134427R | 89134427R | 89134427R | 89134427R | 89134427R |
| Type 12 / IP55 Catalog Number | 89136411R | 89136411R | 89136411R | 89136411R | 89136411R | 89136411R |
| Thermostat Catalog Number (°F) | THERM16F | THERM26F | — | — | THERM16F | THERM26F |
| Thermostat Catalog Number (°C) | THERM16C | THERM26C | — | — | THERM16C | THERM26C |
| Shroud Catalog Number | HH13GS35001, HH13GS61001, HH13SS04001 | | | | | |

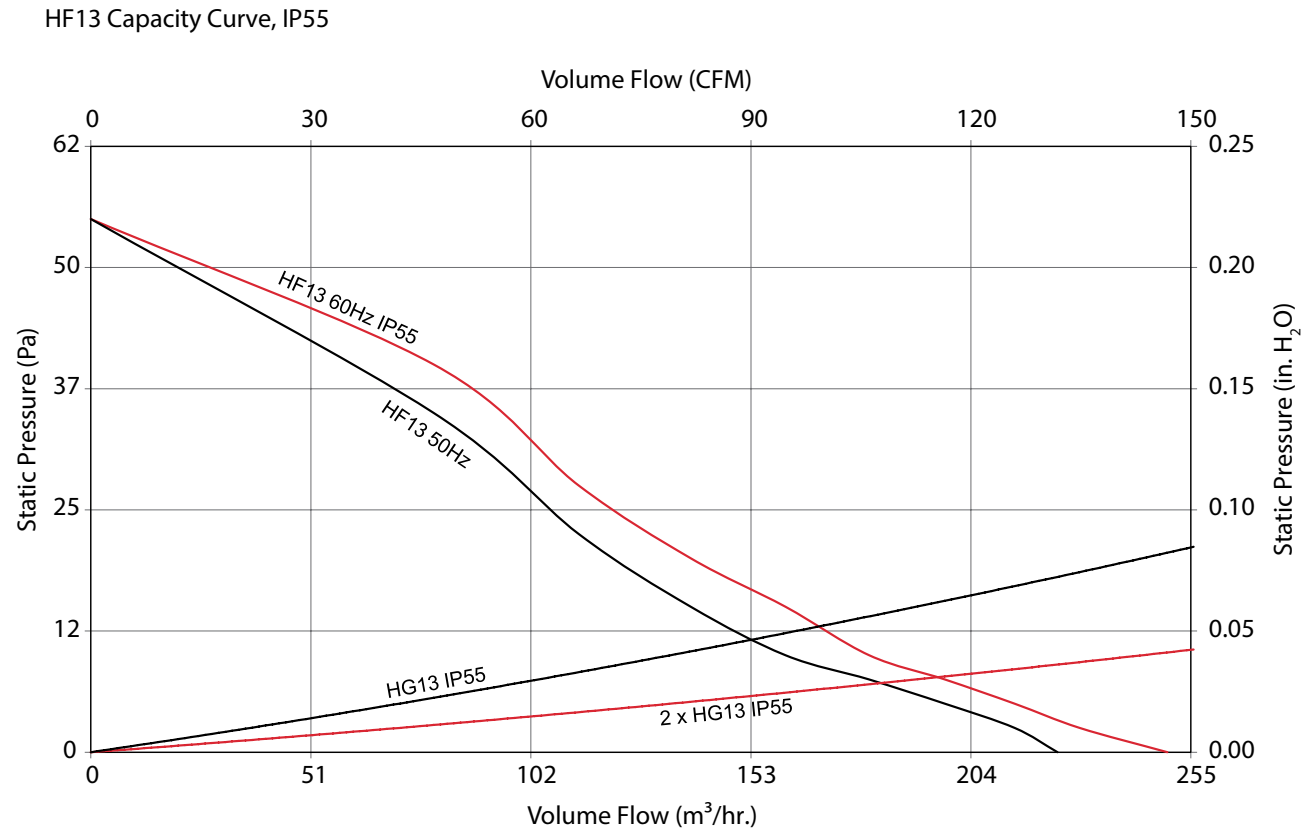
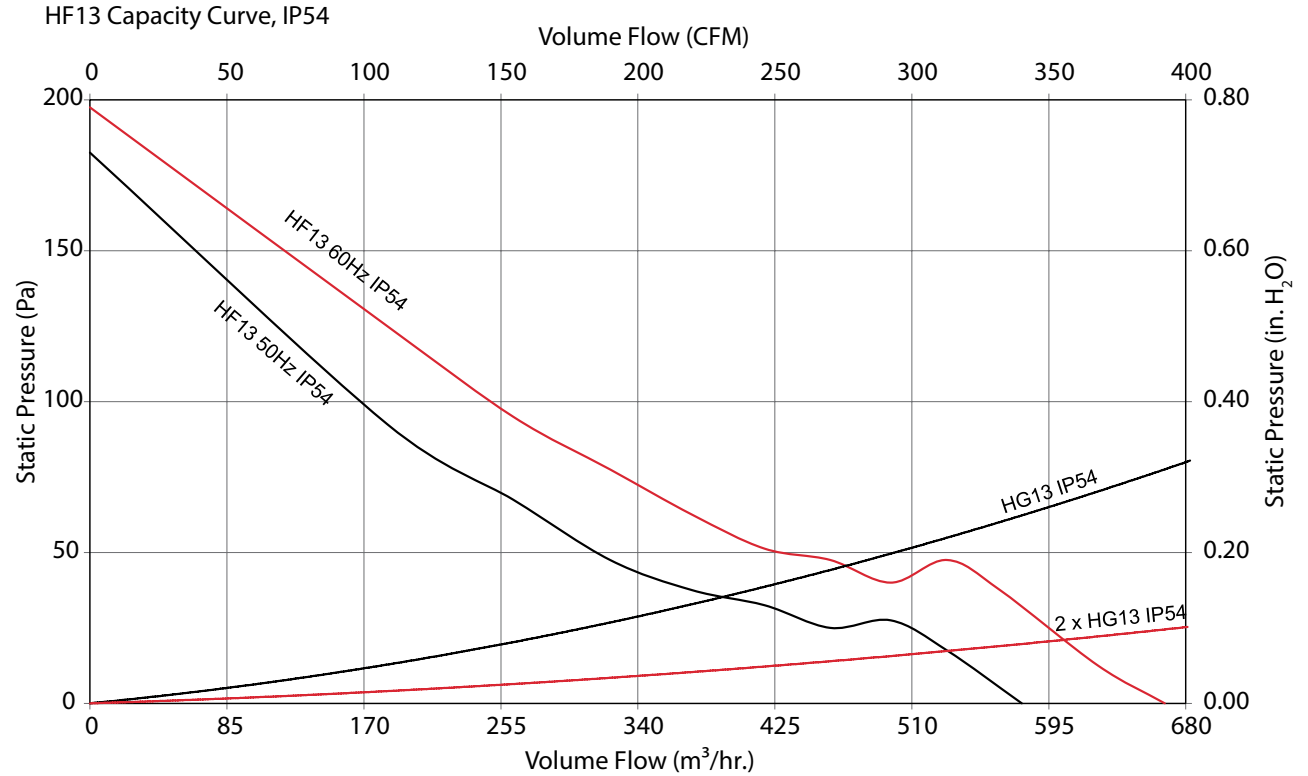
Above airflow rates at 60 Hz; see performance curves for airflow at 50 Hz and more details.

Unit depth is from the back edge of the grille to the back of the fan.

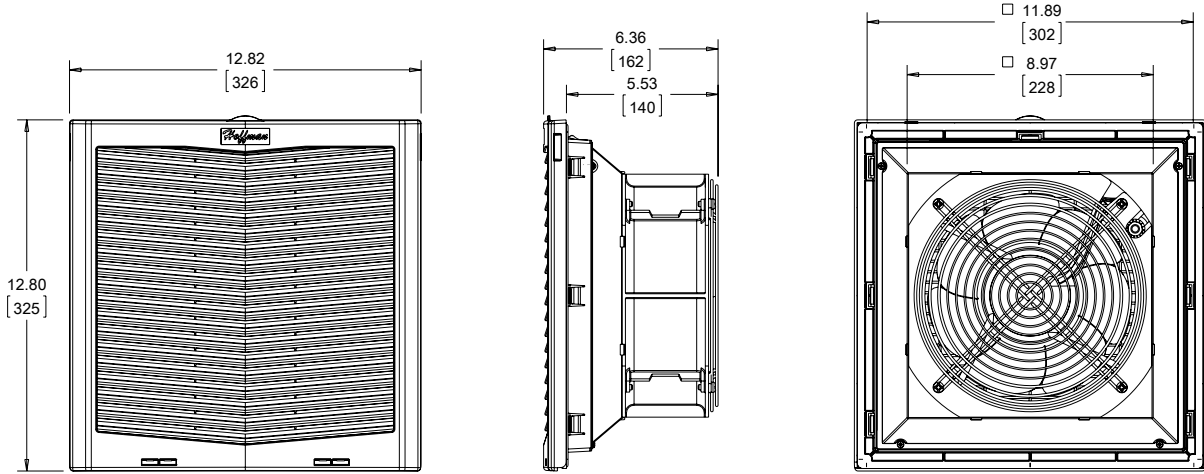
Exhaust Grilles sold separately.

* This indicates a DC Voltage.

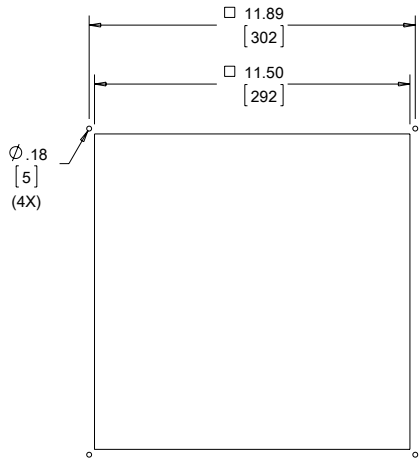
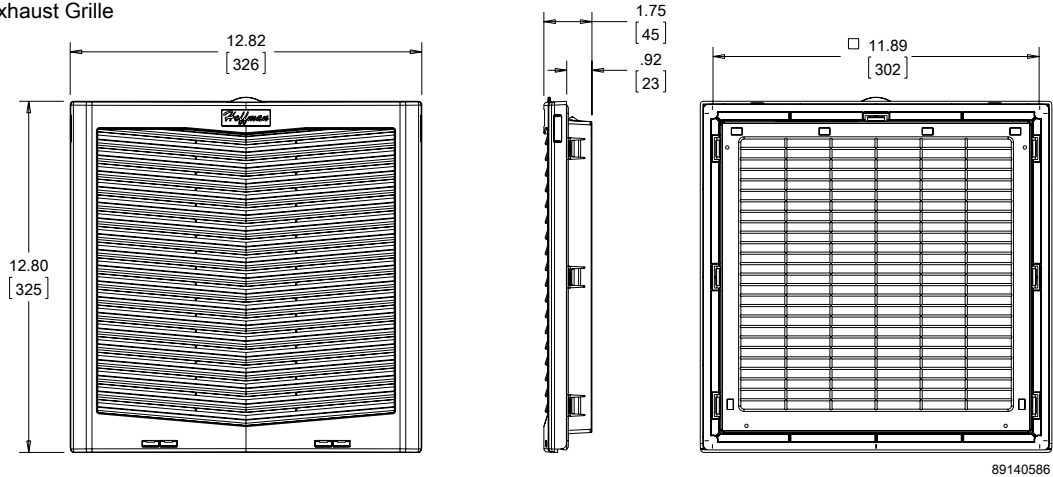
Performance Curves for HF13 Models 395 CFM (671 m³/hr.) Side-Mount Filter Fans



HF13 395 CFM (671 m³/hr.) Side-Mount Filter Fans - Standard and Reverse



Exhaust Grille



Cutout Dimensions

Visit nVent.com/HOFFMAN to download 2D and 3D CAD drawings into the overall design of your electrical system.

Performance Data HF13 484 CFM (822 m³/hr.) Side-Mount Filter Fans - Standard

| ELECTRICAL DATA | | | |
|--|---------------------------------------|-----------|-----------|
| Rated Voltage | 115 | 230 | 24* |
| Frequency (Hz) | 50/60 | 50/60 | — |
| Nominal Current Maximum (Amps) | 1.08/1.18 | .50/.60 | 5.0 |
| Power Consumption Maximum (Watts) | 112/148 | 119/158 | 105 |
| Power Connection | Terminal Block | | |
| TYPE 12 / IP54 FILTER FANS | | | |
| RAL 7035 Light Gray: | | | |
| Catalog Number | HF1316424 | HF1326424 | HF1324424 |
| RAL 9011 Black: | | | |
| Catalog Number | HF1316423 | HF1326423 | HF1324423 |
| Free Airflow (CFM / m ³ /hr.) | 484/822 | 484/822 | 484/822 |
| Airflow with 1 Exhaust Grille (CFM / m ³ /hr.) | 417/708 | 417/708 | 417/708 |
| Airflow with 2 Exhaust Grilles (CFM / m ³ /hr.) | 442/751 | 442/751 | 442/751 |
| TYPE 12 / IP55 FILTER FANS | | | |
| RAL 7035 Light Gray: | | | |
| Catalog Number | HF1316524 | HF1326524 | HF1324524 |
| RAL 9011 Black: | | | |
| Catalog Number | HF1316523 | HF1326523 | HF1324523 |
| Free Airflow (CFM / m ³ /hr.) | 197/335 | 197/335 | 197/335 |
| Airflow with 1 Exhaust Grille (CFM / m ³ /hr.) | 155/263 | 155/263 | 155/263 |
| Airflow with 2 Exhaust Grilles (CFM / m ³ /hr.) | 175/297 | 175/297 | 175/297 |
| FILTER FAN UNIT CONSTRUCTION | | | |
| Fan RPM | 2550/2850 | 2550/2850 | 2750 |
| Sound Pressure (dBA at 50/60 Hz) | 67/70 | 67/70 | 70 |
| Operating Temperature Range: | | | |
| Maximum (°F / °C) | 131 / 55 | 131 / 55 | 131 / 55 |
| Minimum (°F / °C) | 14 / -10 | 14 / -10 | 14 / -10 |
| Service Life (hours) | 59,000 | 59,000 | 57,000 |
| Unit Dimensions - H x W x D (in. / mm) | 12.8 x 12.82 x 6.30/325 x 326 x 160 | | |
| Cutout Dimensions - H x W (in. / mm) | 11.50 x 11.50/292 x 292 | | |
| Weight (lb. / kg) | 4.32/1.96 | | |
| TYPE 12 / IP54 EXHAUST GRILLES | | | |
| RAL 7035 Light Gray: | | | |
| Catalog Number | HG1300404 | HG1300404 | HG1300404 |
| RAL 9011 Black: | | | |
| Catalog Number | HG1300403 | HG1300403 | HG1300403 |
| TYPE 12 / IP55 EXHAUST GRILLES | | | |
| RAL 7035 Light Gray: | | | |
| Catalog Number | HG1300504 | HG1300504 | HG1300504 |
| RAL 9011 Black: | | | |
| Catalog Number | HG1300503 | HG1300503 | HG1300503 |
| ACCESSORIES | | | |
| Replacement Filters: | | | |
| Type 12 / IP54 Catalog Number | 89134427R | 89134427R | 89134427R |
| Type 12 / IP55 Catalog Number | 89136411R | 89136411R | 89136411R |
| Thermostat Catalog Number (°F) | THERM16F | THERM26F | — |
| Thermostat Catalog Number (°C) | THERM16C | THERM26C | — |
| Shroud Catalog Number | HH13GS35001, HH13GS61001, HH13SS04001 | | |

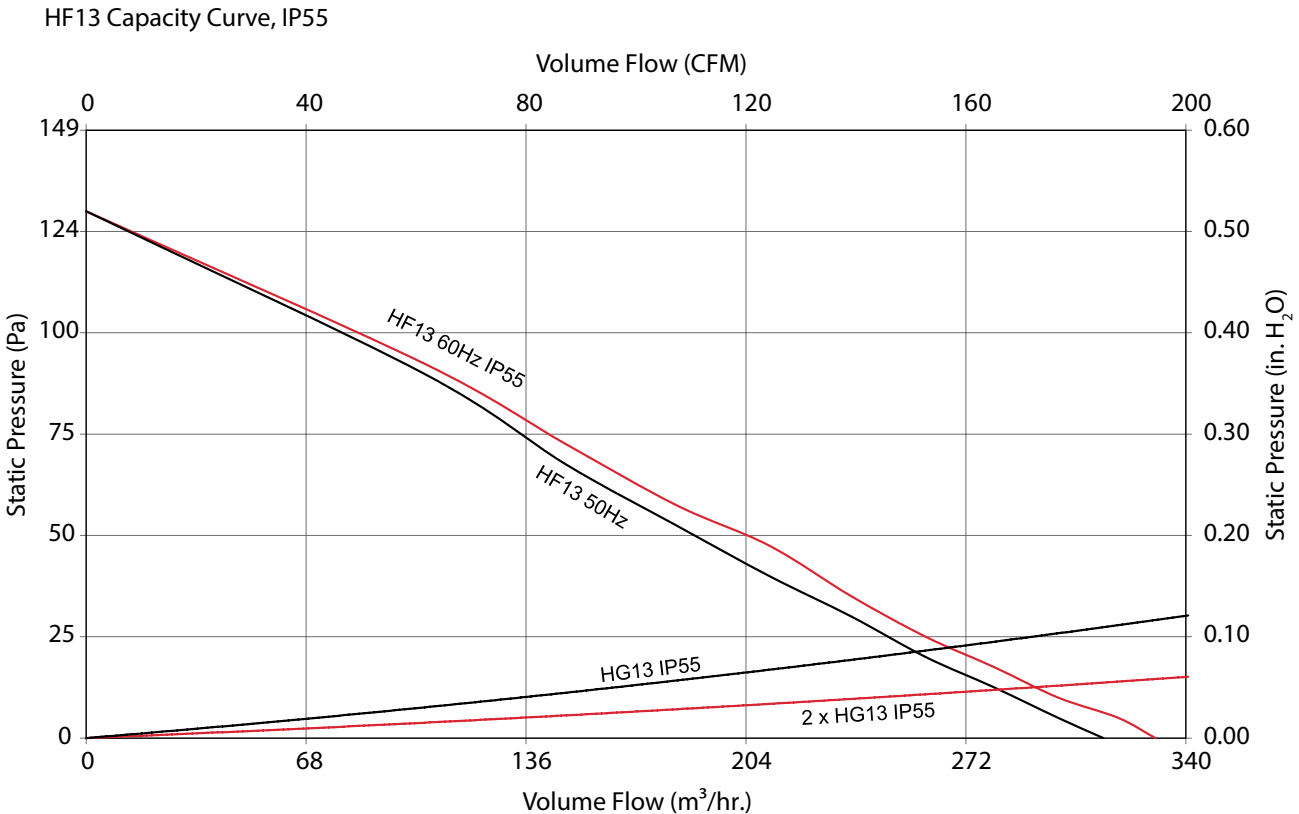
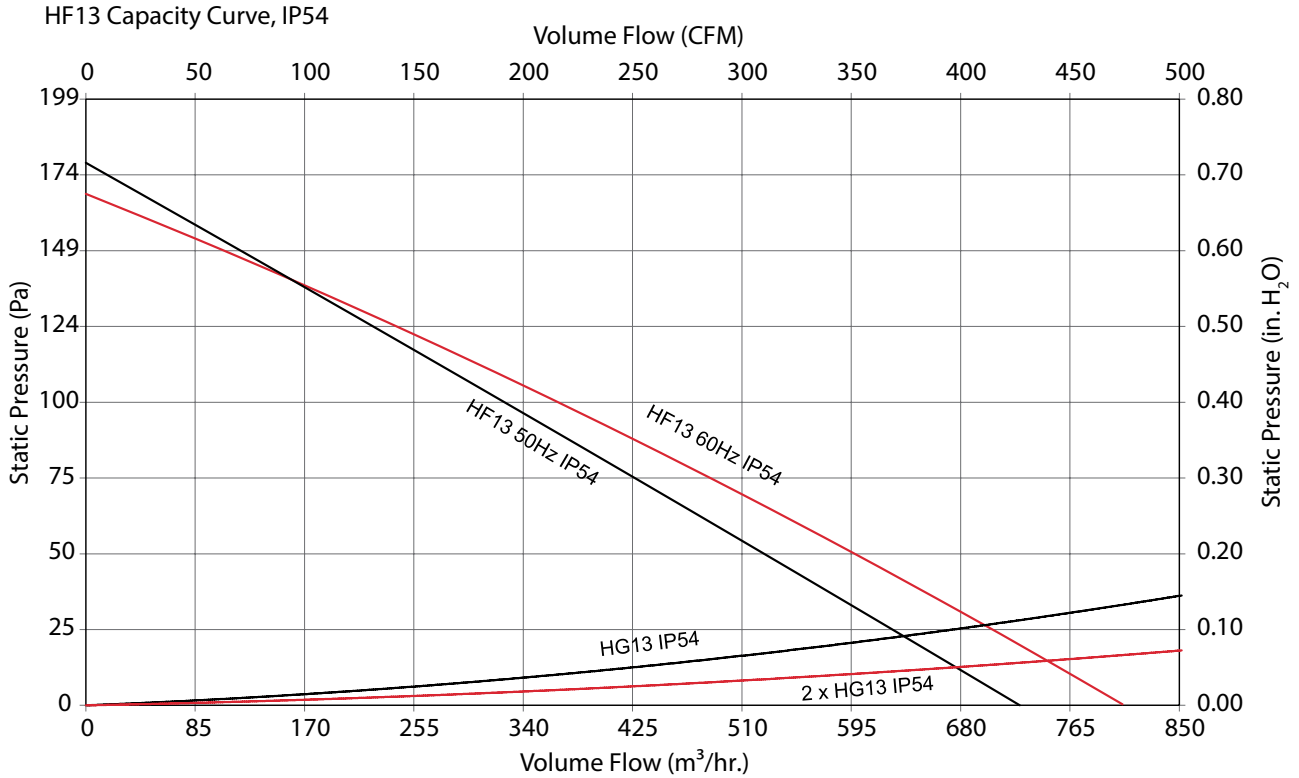
Above airflow rates at 60 Hz; see performance curves for airflow at 50 Hz and more details.

Unit depth is from the back edge of the grille to the back of the fan.

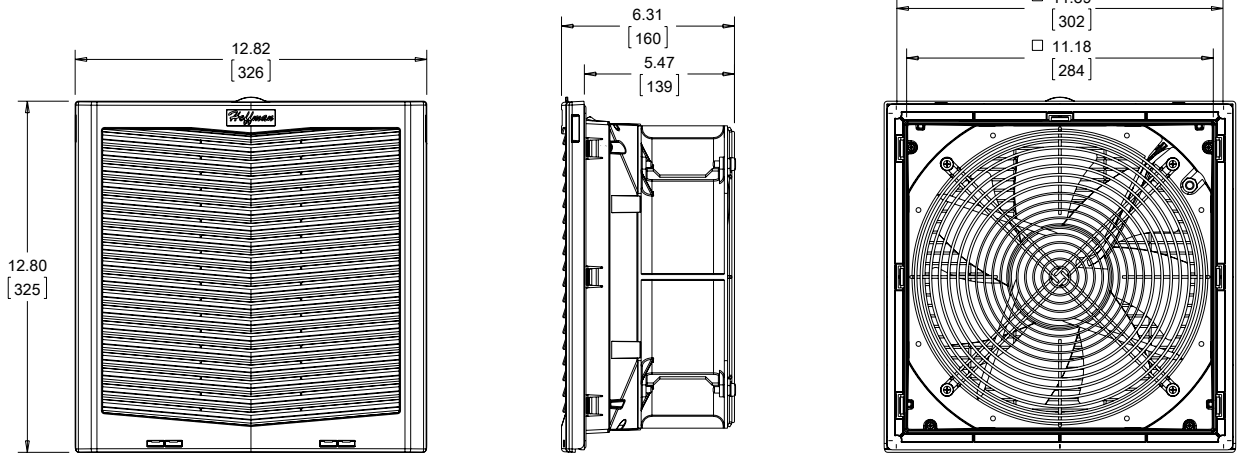
Exhaust Grilles sold separately.

* This indicates a DC Voltage.

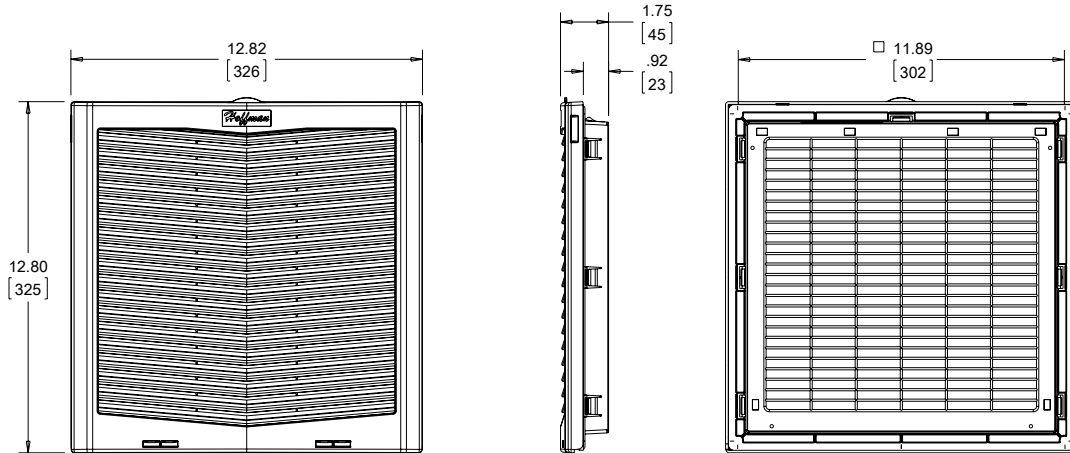
Performance Curves for HF13 Models 484 CFM (822 m³/hr.) Side-Mount Filter Fans



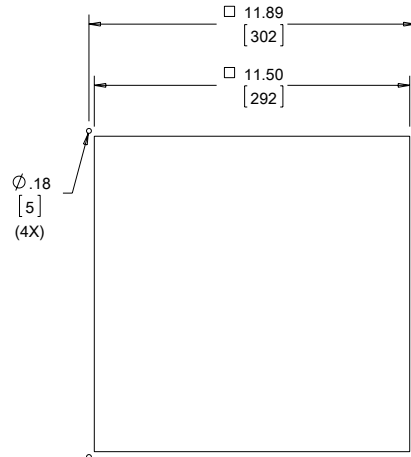
HF13 484 CFM (822 m³/hr.) Side-Mount Filter Fans - Standard and Reverse



Exhaust Grille



89140587



Cutout Dimensions

Visit nVent.com/HOFFMAN to download 2D and 3D CAD drawings into the overall design of your electrical system.

Performance Data **HF13 484 CFM (822 m³/hr.) Side-Mount Filter Fans - Reverse**

| ELECTRICAL DATA | | |
|--|---------------------------------------|------------|
| Rated Voltage | 115 Rvrs | 230 Rvrs |
| Frequency (Hz) | 50/60 | 50/60 |
| Nominal Current Maximum (Amps) | 1.05/1.5 | .51/.70 |
| Power Consumption Maximum (Watts) | 112/148 | 119/158 |
| Power Connection | Terminal Block | |
| TYPE 12 / IP54 FILTER FANS | | |
| RAL 7035 Light Gray: | | |
| Catalog Number | HF1316424R | HF1326424R |
| RAL 9011 Black: | | |
| Catalog Number | HF1316423R | HF1326423R |
| Free Airflow (CFM / m ³ /hr.) | 484/822 | 484/822 |
| Airflow with 1 Exhaust Grille (CFM / m ³ /hr.) | 417/708 | 417/708 |
| Airflow with 2 Exhaust Grilles (CFM / m ³ /hr.) | 442/751 | 442/751 |
| FILTER FAN UNIT CONSTRUCTION | | |
| Fan RPM | 2550/2850 | 2550/2850 |
| Sound Pressure (dBA at 50/60 Hz) | 67/70 | 67/70 |
| Operating Temperature Range: | | |
| Maximum (°F / °C) | 131/55 | 131/55 |
| Minimum (°F / °C) | 14/-10 | 14/-10 |
| Service Life (hours) | 59,000 | 59,000 |
| Unit Dimensions - H x W x D (in. / mm) | 12.8 x 12.82 x 6.30/325 x 326 x 160 | |
| Cutout Dimensions - H x W (in. / mm) | 11.50 x 11.50/292 x 292 | |
| Weight (lb. / kg) | 4.32/1.96 | |
| TYPE 12 / IP54 EXHAUST GRILLES | | |
| RAL 7035 Light Gray: | | |
| Catalog Number | HG1300404 | HG1300404 |
| RAL 9011 Black: | | |
| Catalog Number | HG1300403 | HG1300403 |
| TYPE 12 / IP55 EXHAUST GRILLES | | |
| RAL 7035 Light Gray: | | |
| Catalog Number | HG1300504 | HG1300504 |
| RAL 9011 Black: | | |
| Catalog Number | HG1300503 | HG1300503 |
| ACCESSORIES | | |
| Replacement Filters: | | |
| Type 12/IP54 Catalog Number | 89134427R | 89134427R |
| Type 12 / IP55 Catalog Number | 89136411R | 89136411R |
| Thermostat Catalog Number (°F) | THERM16F | THERM26F |
| Thermostat Catalog Number (°C) | THERM16C | THERM26C |
| Shroud Catalog Number | HH13GS35001, HH13GS61001, HH13SS04001 | |

Above airflow rates at 60 Hz; see performance curves for airflow at 50 Hz and more details.

Unit depth is from the back edge of the grille to the back of the fan.

Exhaust Grilles sold separately.